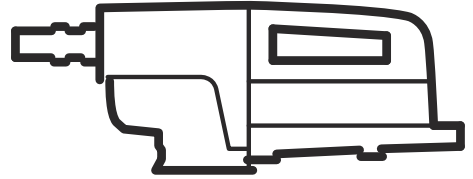




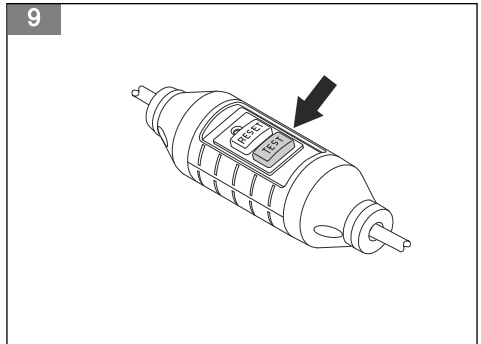
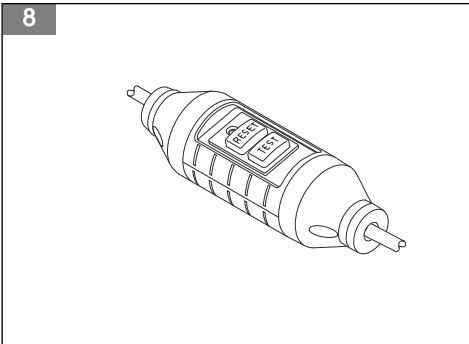
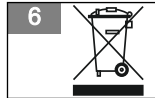
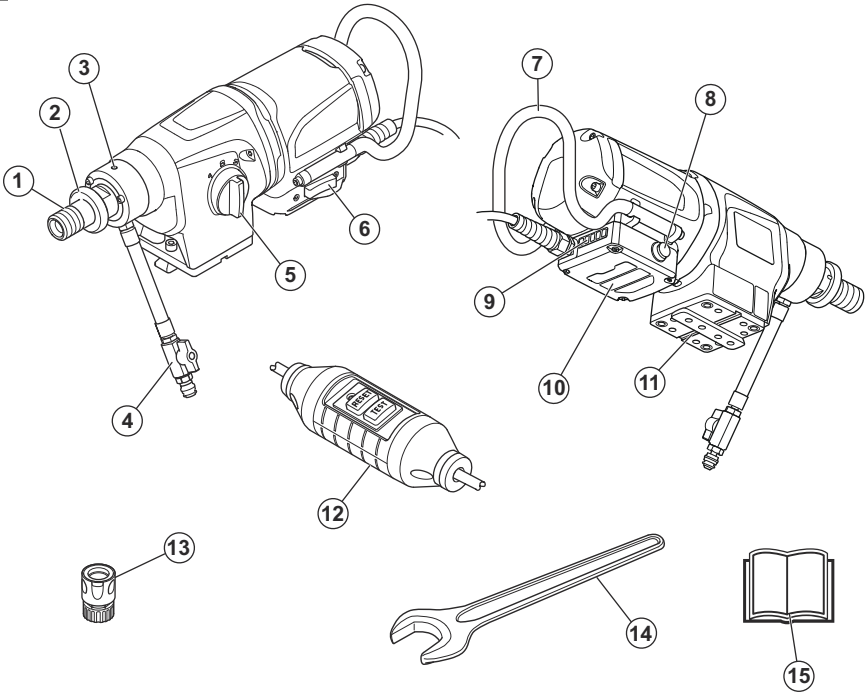
Husqvarna®

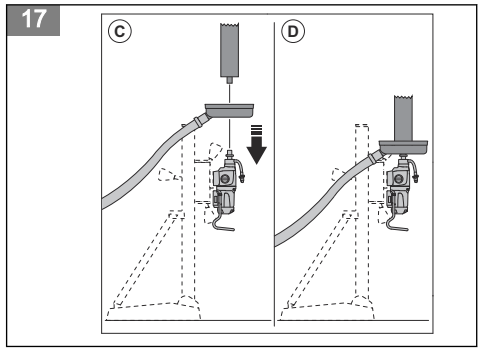
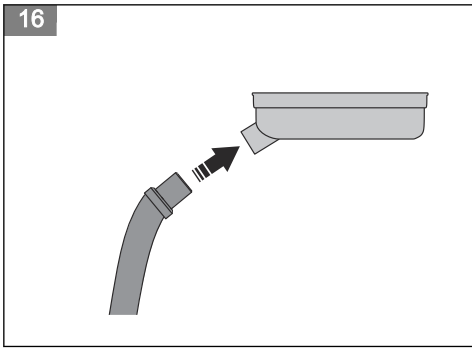
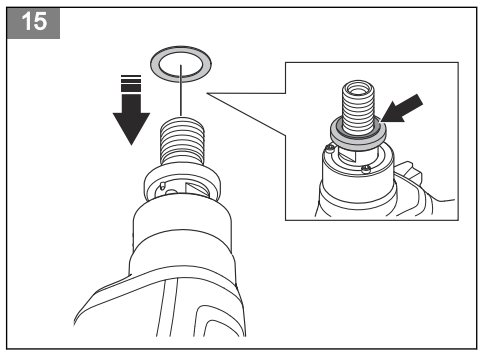
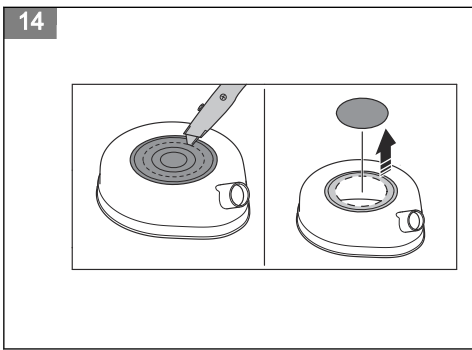
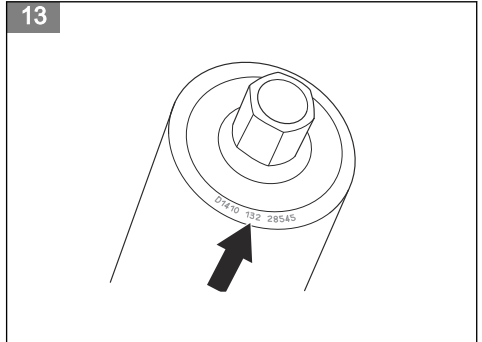
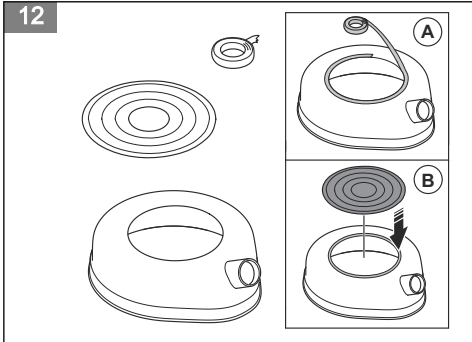
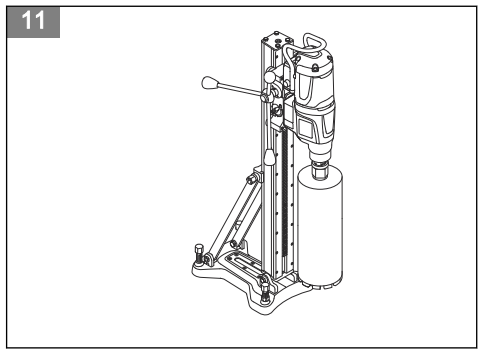
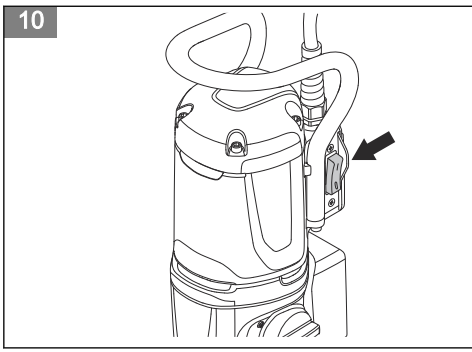


DM400, DM430

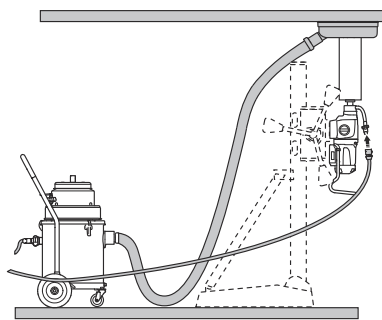
EN	Operator's manual	6-21
DA	Brugsanvisning	22-37
DE	Bedienungsanweisung	38-56
FI	Käyttöohje	57-73
FR	Manuel d'utilisation	74-92
NL	Gebruiksaanwijzing	93-111
NO	Bruksanvisning	112-127
SV	Bruksanvisning	128-143

1

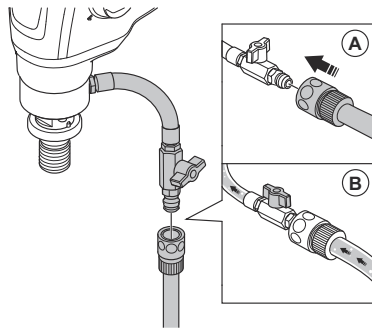




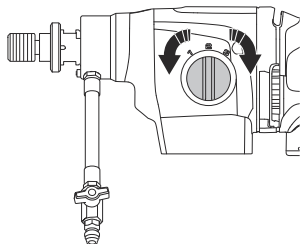
18



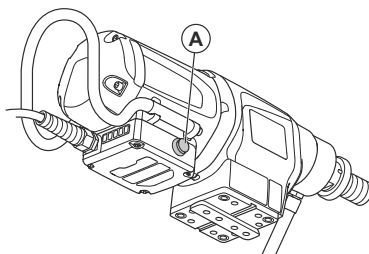
19



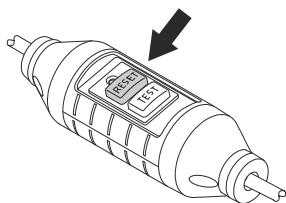
20



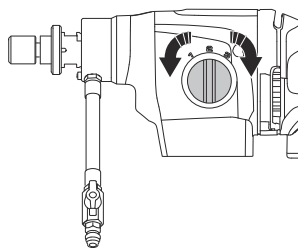
21



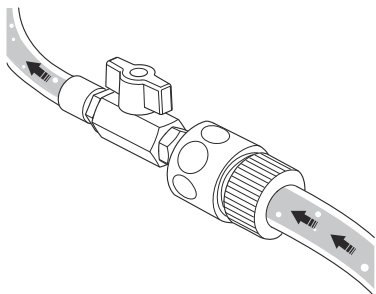
22



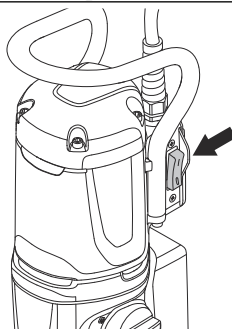
23



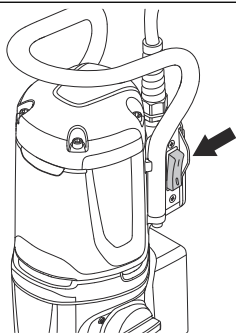
24



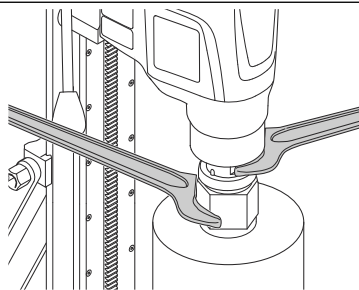
25



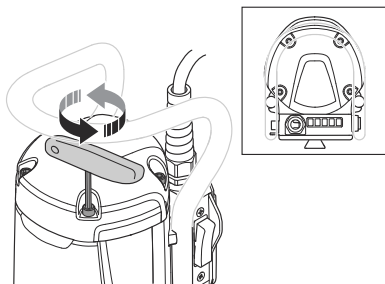
26



27



28



Contents

Introduction.....	6	Transportation and storage.....	16
Safety.....	7	Technical data.....	17
Assembly.....	11	Accessories.....	19
Operation.....	11	Service.....	19
Maintenance.....	13	EC Declaration of Conformity.....	20
Troubleshooting.....	15	Registered trademarks.....	21

Introduction

Product description

This Husqvarna Drill Motor is a transportable diamond core drill to be used with an approved drill stand.

The diamond drill bit is a hollow drill that has diamond segments. Water goes through the ball valve, hose and the diamond drill bit. The water flushes the drilled material out off the slot and decreases the temperature in the drill bit.

This product has Smartstart™. Refer to *To use Smartstart™ on page 12*.

Some models of this product have embedded connectivity. Refer to *Embedded connectivity on page 6*.

Embedded connectivity

The cloud asset management solution Husqvarna Fleet Services™ gives the fleet manager an overview of all products that are connected via either embedded or aftermarket sensors. The position of the gateway or smartphone can be used to indicate the location of

Product overview

(Fig. 1)

1. Drill spindle
2. Quick release washer
3. Leakage hole
4. Gardena male coupling with water valve
5. Gear selector
6. On/Off switch
7. Handle
8. Smartstart™
9. LEDs to show power output
10. Electronics box
11. Assembly plate for Husqvarna drill stand
12. PRCD

Note: In this manual we use the term PRCD for PRCD and GFCl.

13. Water connector

connected products. The sensors record data like runtime, service intervals and more. For more information about the cloud asset management solution Husqvarna Fleet Services™, download the iOS or Android app Husqvarna Fleet Services at <https://apps.apple.com/se/app/husqvarna-fleet-services/id1334672726> or <https://play.google.com/store/apps/details?id=com.husqvarna.hfsmobile&hl=en>.

Some types of this product are connected via the embedded Husqvarna Fleet Services™ sensor that has the Bluetooth Low Energy (BLE) function. For more information regarding how to use it, refer to *To use embedded connectivity on page 12*. For information about the BLE technology radio spectrum, refer to *Embedded connectivity on page 18*.

Intended use

The product is used to drill concrete, rock, asphalt and masonry. All other use is incorrect.

The product is used in industrial operations by operators with experience.

14. Wrench
15. Operator's manual

Symbols on the product

(Fig. 2) **WARNING!** This product can be dangerous and cause serious injury or death to the operator or others. Be careful and use the product correctly.

(Fig. 3) Read the operator's manual carefully and make sure that you understand the instructions before you use this product.

(Fig. 4) Always use approved personal protective equipment. Refer to *Personal protective equipment on page 10*.

- (Fig. 5) This product complies with applicable EC directives.
- (Fig. 6) **Environmental mark.** The product or package of the product is not domestic waste. Recycle it at an approved disposal location for electrical and electronic equipment.
- (Fig. 7) Make sure that water cannot leak into the product when you drill in the ceiling. Use an applicable water collector.

Note: Other symbols/decals on the product refer to special certification requirements for some markets.

Product liability

As referred to in the product liability laws, we are not liable for damages that our product causes if:

- the product is incorrectly repaired.
- the product is repaired with parts that are not from the manufacturer or not approved by the manufacturer.
- the product has an accessory that is not from the manufacturer or not approved by the manufacturer.
- the product is not repaired at an approved service center or by an approved authority.

Safety

Safety definitions

Warnings, cautions and notes are used to point out specially important parts of the manual.



WARNING: Used if there is a risk of injury or death for the operator or bystanders if the instructions in the manual are not obeyed.



CAUTION: Used if there is a risk of damage to the product, other materials or the adjacent area if the instructions in the manual are not obeyed.

Note: Used to give more information that is necessary in a given situation.

General power tool safety warnings



WARNING: Read all safety warnings, instructions, illustrations and specifications provided with this power tool. Failure to follow all instructions listed below may result in electric shock, fire and/or serious injury.

Save all warnings and instructions for future reference. The term "power tool" in the warnings refers to your mains-operated (corded) power tool or battery-operated (cordless) power tool.

Work area safety

- **Keep work area clean and well lit.** Cluttered or dark areas invite accidents.
- **Do not operate power tools in explosive atmospheres, such as in the presence of flammable liquids, gases or dust.** Power tools create sparks which may ignite the dust or fumes.
- **Keep children and bystanders away while operating a power tool.** Distractions can cause you to lose control.

Electrical safety

- **Power tool plugs must match the outlet. Never modify the plug in any way. Do not use any adapter plugs with earthed (grounded) power tools.** Unmodified plugs and matching outlets will reduce risk of electric shock.
- **Avoid body contact with earthed or grounded surfaces, such as pipes, radiators, ranges and refrigerators.** There is an increased risk of electric shock if your body is earthed or grounded.
- **Do not expose power tools to rain or wet conditions.** Water entering a power tool will increase the risk of electric shock.
- **Do not abuse the cord. Never use the cord for carrying, pulling or unplugging the power tool. Keep cord away from heat, oil, sharp edges or moving parts.** Damaged or entangled cords increase the risk of electric shock.
- **When operating a power tool outdoors, use an extension cord suitable for outdoor use.** Use of a cord suitable for outdoor use reduces the risk of electric shock.
- **If operating a power tool in a damp location is unavoidable, use a residual current device (RCD) protected supply.** Use of a RCD reduces the risk of electric shock.

Personal safety

- **Stay alert, watch what you are doing and use common sense when operating a power tool. Do not use a power tool while you are tired or under the influence of drugs, alcohol or medication.** A moment of inattention while operating power tools may result in serious personal injury.
- **Use personal protective equipment. Always wear eye protection.** Protective equipment such as dust mask, non-skid safety shoes, hard hat or hearing protection used for appropriate conditions will reduce personal injuries.

- **Prevent unintentional starting. Ensure the switch is in the off-position before connecting to power source and/or battery pack, picking up or carrying the tool.** Carrying power tools with your finger on the switch or energising power tools that have the switch on invites accidents.
- **Remove any adjusting key or wrench before turning the power tool on.** A wrench or a key left attached to a rotating part of the power tool may result in personal injury.
- **Do not overreach. Keep proper footing and balance at all times.** This enables better control of the power tool in unexpected situations.
- **Dress properly. Do not wear loose clothing or jewellery. Keep your hair and clothing away from moving parts.** Loose clothes, jewellery or long hair can be caught in moving parts.
- **If devices are provided for the connection of dust extraction and collection facilities, ensure these are connected and properly used.** Use of dust collection can reduce dust-related hazards.
- **Do not let familiarity gained from frequent use of tools allow you to become complacent and ignore tool safety principles.** A careless action can cause severe injury within a fraction of a second.

Power tool use and care

- **Do not force the power tool. Use the correct power tool for your application.** The correct power tool will do the job better and safer at the rate for which it was designed.
- **Do not use the power tool if the switch does not turn it on and off.** Any power tool that cannot be controlled with the switch is dangerous and must be repaired.
- **Disconnect the plug from the power source and/or remove the battery pack, if detachable, from the power tool before making any adjustments, changing accessories, or storing power tools.** Such preventive safety measures reduce the risk of starting the power tool accidentally.
- **Store idle power tools out of the reach of children and do not allow persons unfamiliar with the power tool or these instructions to operate the power tool.** Power tools are dangerous in the hands of untrained users.
- **Maintain power tools and accessories. Check for misalignment or binding of moving parts, breakage of parts and any other condition that may affect the power tool's operation. If damaged, have the power tool repaired before use.** Many accidents are caused by poorly maintained power tools.
- **Keep cutting tools sharp and clean.** Properly maintained cutting tools with sharp cutting edges are less likely to bind and are easier to control.
- **Use the power tool, accessories and tool bits etc. in accordance with these instructions, taking into account the working conditions and the work to be performed.** Use of the power tool for operations

different from those intended could result in a hazardous situation.

- **Keep handles and grasping surfaces dry, clean and free from oil and grease.** Slippery handles and grasping surfaces do not allow for safe handling and control of the tool in unexpected situations.

Service

- **Have your power tool serviced by a qualified repair person using only identical replacement parts.** This will ensure that the safety of the power tool is maintained.

Diamond drill safety warnings

- **When performing drilling that requires the use of water, route the water away from the operator's work area or use a liquid collection device.** Such precautionary measures keep the operator's work area dry and reduce the risk of electrical shock.
- **Operate power tool by insulated grasping surfaces, when performing an operation where the cutting accessory may contact hidden wiring or its own cord.** Cutting accessory contacting a "live" wire may make exposed metal parts of the power tool "live" and could give the operator an electric shock.
- **Wear hearing protection when diamond drilling.** Exposure to noise can cause hearing loss.
- **When the bit is jammed, stop applying downward pressure and turn off the tool.** Investigate and take corrective actions to eliminate the cause of the bit jamming.
- **When restarting a diamond drill in the workpiece, check that the bit rotates freely before starting.** If the bit is jammed, it may not start, may overload the tool, or may cause the diamond drill to release from the workpiece.
- **When securing the drill stand with anchors and fasteners to the workpiece, ensure that the anchoring used is capable of holding and restraining the machine during use.** If the workpiece is weak or porous, the anchor may pull out causing the drill stand to release from the workpiece.
- **When securing the drill stand with a vacuum pad to the workpiece, install the pad on a smooth, clean, non-porous surface. Do not secure to laminated surfaces such as tiles and composite coating.** If the workpiece is not smooth, flat or well affixed, the pad may pull away from the workpiece.
- **Ensure there is sufficient vacuum before and during drilling.** If the vacuum is insufficient, the pad may release from the workpiece.
- **Never perform drilling with the machine secured by the vacuum pad only, except when drilling downwards.** If the vacuum is lost, the pad will release from the workpiece.
- **When the drilling through walls or ceilings, ensure to protect persons and the work area on the other side.** The bit may extend through the hole or the core may fall out on the other side.

- **When drilling overhead, always use the liquid collection device specified in the instructions. Do not allow water to flow into the tool.** Water entering the power tool will increase the risk of electric shock.

General safety instructions



WARNING: Read the warning instructions that follow before you use the product.

- This product is a dangerous tool if you are not careful or if you use the product incorrectly. This product can cause serious injury or death to the operator or others. Before you use the product, you must read and understand the contents of this operator's manual.
- Save all warnings and instructions.
- Comply with all applicable laws and regulations.
- The operator and the employer of the operator must know and prevent the risks during operation of the product.
- Do not let a person operate the product unless they read and understand the contents of the operator's manual.
- Do not operate the product unless you receive training before use. Make sure that all operators receive training.
- Do not let a child operate the product.
- Only let approved persons operate the product.
- The operator is responsible for accidents that occur to other persons or their property.
- Do not use the product if you are tired, ill, or under the influence of alcohol, drugs or medicine.
- Always be careful and use your common sense.
- This product produces an electromagnetic field during operation. This field can under some circumstances interfere with active or passive medical implants. To decrease the risk of serious injury or death, we recommend persons with medical implants to speak to their physician and the medical implant manufacturer before operating this product.
- Keep the product clean. Make sure that you can clearly read signs and decals.
- Do not use the product if it is defective.
- Do not do modifications to this product.
- Do not operate the product if it is possible that other persons have done modifications to the product.

Always use common sense



WARNING: Under no circumstances should you modify the original design of the product without approval from the manufacturer. Always use original spare parts. Unauthorized modifications and/or accessories may lead to serious injury or death to the user or others.



WARNING: The use of products such as cutters, grinders, drills, that sand or form material can generate dust and vapours which may contain hazardous chemicals. Check the nature of the material you intend to process and use an appropriate breathing mask.

It is not possible to cover every conceivable situation you can face when using the product. Always exercise care and use your common sense. Avoid all situations which you consider to be beyond your capability. If you still feel uncertain about operating procedures after reading these instructions, you should consult an expert before continuing.

Do not hesitate to contact your Husqvarna dealer if you have any more questions about the use of the product. We will willingly be of service and provide you with advice as well as help you to use your product both efficiently and safely.

Let your Husqvarna dealer check the product regularly and make essential adjustments and repairs.

Husqvarna Construction Products has a policy of continuous product development. Husqvarna reserves the right to modify the design and appearance of products without prior notice and without further obligation introduce design modifications.

All information and all data in the operator's manual were applicable at the time the operator's manual was sent to print.

Safety instructions for operation



WARNING: Read the warning instructions that follow before you use the product.

- Do not operate the product unless you can get aid if an accident occurs.
- Do not use the product in bad weather, such as fog, rain, strong winds, intense cold and equivalent conditions. Dangerous conditions, such as slippery surfaces, can occur because of bad weather.
- Look out for persons, objects and situations that can prevent safe operation of the product.
- When the drill points up during operation, always use an applicable container to collect the water.
- Always attach the product to an applicable drill stand before operation. Refer to *Accessories on page 19*.
- Make sure that you always can stop the motor quickly in an emergency.
- Make sure that there are no pipes or electrical cables in the area where the hole will be made.
- If the product does not operate correctly, stop the motor.
- Make sure that you are in a safe and stable position during operation.

- Stay at a distance from the drill bit when the motor is on.
- Do not go away from the product when the motor is on.
- Always disconnect the power cord before you go away from the product.
- Keep all parts in good condition and make sure that all fixtures are correctly tightened.
- If vibrations occur in the product or the noise level from the product is unusually high, stop the product immediately. Examine the product for damages. Repair damages or let an approved service agent do the repair.
- Always use approved accessories. Speak to your dealer for more information.

Personal protective equipment



WARNING: Read the warning instructions that follow before you use the product.

- Always use correct personal protective equipment when you operate the product. The personal protective equipment does not erase the risk of injury. The personal protective equipment decreases the grade of injury if an accident occurs. Let your dealer help you select the right equipment.
- Use approved eye protection while you operate the product.
- Do not use loose, heavy and not applicable clothing. Use clothes that let you move freely.
- Use approved protective gloves that enables a solid hold.
- Use rubber protective gloves that prevents skin irritation from wet concrete.
- Use an approved protective helmet.
- Always use approved hearing protection while you operate the product. Noise for a long period can cause noise-induced hearing loss.
- The product makes dust and fumes that contain dangerous chemicals. Use an approved breathing protection.
- Use boots with steel toe-caps and non-slip soles.
- Make sure that you have a first aid kit near.
- Sparks can occur when you operate the product. Make sure that you have a fire extinguisher near.

Safety devices on the product



WARNING: Read the warning instructions that follow before you use the product.

- Never use a product that has faulty safety equipment! If your product fails any checks contact your service agent to get it repaired.

- Do not use the product if protective plates, protective covers, safety switches or other protective devices are not attached or are defective.

Motor overload protection, Elgard™

The motor overload protection engages if the motor has too high load or the drill bit cannot move freely.

The motor overload protection causes the power from the motor to decrease and increase in short intervals for some seconds. Then, if you do not decrease the force, the motor stops. Refer to *To reset the motor overload protection on page 13*.

Load indicator



CAUTION: Product overload again and again can cause damage to the product.

The product has LEDs that show the load of the motor. Refer to *LED indications on page 18*.

PRCD



WARNING: Not applicable for 110V type sold in United Kingdom and Ireland. United Kingdom and Ireland: Do not operate the 110V type of the product without an isolation transformer, refer to EN/IEC 61558-1 and EN/IEC 61558-2-23. The isolation transformer must have a grounded earth wire on the secondary winding side.



WARNING: Do not put the PRCD into water.



WARNING: Before you operate the product, always do a check of the PRCD. Refer to *To examine the PRCD on page 10*.

The product has a PRCD installed on the power cord. The PRCD is for protection and engages if an electrical fault occurs. Refer to *Technical data on page 17* for information about at which current the PRCD engages.

The red light shows that the PRCD is on and that the product can be started. If the red light does not show, push the RESET button.

(Fig. 8)

To examine the PRCD



WARNING: Not applicable for 110V type sold in United Kingdom and Ireland. Refer to *PRCD on page 10*.



WARNING: The PRCD must be examined each time the power plug is connected to a power outlet.



WARNING: If the PRCD must be repaired, always speak to an approved Husqvarna service agent.

1. Connect the power plug of the product to a power outlet.
2. Push the "RESET" button. The indicator above the button is red when the current is connected.
3. Start the product, refer to *To start the product on page 13*.
4. Push the "TEST" button. If the product stops, the PRCD operates correctly. (Fig. 9)

ON/OFF switch

The ON/OFF switch is used to start and stop the product.

(Fig. 10)

To examine the ON/OFF switch

1. Connect the power plug of the product to the mains.
2. Set the ON/OFF switch to "1" to start the product.
3. Set the ON/OFF switch to "0" to stop the product.

Friction clutch

The friction clutch is integrated in the gearbox of the product. It prevents damage to the product if the drill bit

stops during operation. If the load is too high, the friction clutch is released and stops the drill spindle but keeps the motor on for some seconds. The friction clutch engages again if the load is decreased and the operation can continue. If the drill bit is caught in the material and fully stops, the friction clutch stops the motor immediately.



CAUTION: Make sure that the release time of the clutch is not more than 3-4 seconds, because if not wear and heat will increase quickly.

Safety instructions for maintenance



WARNING: Inspection and/or maintenance should be carried out with the motor switched off and the plug disconnected.

- Maintain power tools and accessories. Check for misalignment or binding of moving parts, breakage of parts and any other condition that may affect the power tool's operation. If damaged, have the power tool repaired before use. Many accidents are caused by poorly maintained power tools.
- Keep cutting tools sharp and clean. Properly maintained cutting tools with sharp cutting edges are less likely to bind and are easier to control.
- Have your power tool serviced by a qualified repair person using only identical replacement parts. This will ensure that the safety of the power tool is maintained.

Assembly

Introduction



WARNING: Read and understand the safety chapter before you assemble the product.



WARNING: To prevent injury, disconnect the power cord and remove the drill bit before assembly.

To attach the product to a drill stand



CAUTION: Read the operator's manual for the drill stand carefully.

- To attach the product to a drill stand, refer to the manual for the drill stand.
- Use only with approved Husqvarna drill stands. Refer to *Accessories on page 19*.

Operation

To do before you operate the product

1. Read the operator's manual carefully and make sure that you understand the instructions.
2. Read the operator's manual for the drill stand carefully and make sure that you understand the instructions.
3. Use personal protective equipment. Refer to *Personal protective equipment on page 10*.
4. Make sure that the nominal voltage in the mains socket is the same as the voltage of the product.
5. Make sure that the work area is clean and bright.

6. Make sure that the product is installed correctly. The drill bit and the drill stand must be attached correctly. (Fig. 11)
7. When you do inverted drilling, make sure that you comply to the applicable instructions. Refer to *To prepare the product for inverted drilling on page 12*.
8. Make sure that the water system is not damaged and that it is connected to the product.
9. Do the daily maintenance. Refer to *Maintenance schedule on page 14*.
10. Make sure that the PRCD is started. Refer to *PRCD on page 10* and *To examine the PRCD on page 10*.

To use embedded connectivity

Note: This part is applicable only for products supplied with embedded connectivity.

Note: Radio transmission by the Bluetooth® function will be enabled on the first time of connection to a power outlet, and stay on after that.

1. Download the Husqvarna Fleet Services iOS or Android app Husqvarna Fleet Services.
2. Go to Husqvarna Fleet Services website <https://fleetservices.husqvarna.com> for more information.

To prepare the product for inverted drilling



WARNING: Always use a slurry ring with a sealing disc and a rubber washer during inverted drilling. Water that enters the product increases the risk of electrical shock.

1. Clean the top of the slurry ring. All grease and dirt must be removed.
2. Attach 2-sided adhesive tape or use spray glue around the top opening of the slurry ring (A). Put the sealing disc on the top opening as a cover (B). Attach it tightly. (Fig. 12)
3. Look for the dimension of the core drill on the top of the drill. (Fig. 13)
4. Cut a hole in the sealing disc in the nearest smaller dimension as the core drill. (Fig. 14)
5. Attach the rubber washer to the quick-release washer on the drill spindle. (Fig. 15)
6. Connect the slurry collector to the connection of the slurry ring. (Fig. 16)
7. Put the slurry ring on the drill spindle (C). Install the drill bit to the drill spindle (D). (Fig. 17)
8. Start the slurry collector.
9. Lift the drill bit to the ceiling. Attach the slurry ring to the ceiling. (Fig. 18)

To connect and open the water supply



CAUTION: Make sure that the maximum water pressure is not too high. Refer to *Technical data on page 17*.



CAUTION: Use only clean water to prevent that dirt causes a blockage in the water system.



CAUTION: Use only an approved water supply coupling. Speak to your dealer for more information.

1. Connect the ball valve to the water supply (A). (Fig. 19)
2. Open the water system (B). Set the water pressure to remove all waste material from the drill hole.

To decrease the temperature of the motor

- Operate the product with no load for 2 minutes to decrease the temperature of the motor.

To change gear



CAUTION: Change gear only when the motor decreases in speed or stops. Do not use force to change gear.

- Make sure that you always use the applicable speed for the drill bit diameter. Refer to the rating plate on the product or *Technical data on page 17*.
- Turn the gear selector to change gear. (Fig. 20)

To use Smartstart™

The Smartstart™ function decreases the speed of the motor. This helps to make a starter hole.

1. Start the motor. Make sure that the drill does not touch the material.
2. Push the Smartstart™ button (A) one time. The speed is decreased and the first green LED will flash while the Smartstart™ function is on. (Fig. 21)
3. Drill a starter hole in the material.
4. Push the Smartstart™ button (A) again. The speed is increased back to usual speed.

The speed is automatically increased back to usual speed 1 minute after start of the Smartstart™ function if the Smartstart™ button (A) is not pushed again.

Note: Only use the Smartstart™ function to start a hole. The power will be very much decreased if it is used during usual operation.

To start the product



WARNING: Make sure that the drill bit can rotate freely. It starts to rotate when the motor starts.



WARNING: If this is the first time the product is started for the day, make sure you make a check of the PRCD. Refer to *To examine the PRCD on page 10*.

1. Push the "RESET" button on the PRCD. (Fig. 22)
2. To set the operation speed, turn the drill spindle and at the same time move the gear selector. Set the gear selector in the correct position for the operation. (Fig. 23)
3. Make sure that the water system is open. (Fig. 24)
4. Set the ON/OFF switch to "1". (Fig. 25)

To operate the product



WARNING: If the PRCD engages, remove the drill bit from the hole before you push "RESET".



WARNING: Dangerous accidents can occur if the concrete core stays in the drill bit when you remove the drill bit from the hole.



WARNING: When you use a drill stand, operate the power tool by the insulated grasping surfaces of the drill stand.



CAUTION: Make sure that no objects hit the drill bit.



CAUTION: Do not use more force than necessary. This only makes the operation slow and causes overload to the motor.

1. Start the motor. Refer to *To start the product on page 13*.
2. Let the motor speed increase to the maximum speed before the drill bit touches the surface.

3. Push the drill bit into the surface with the feed lever.
4. If you drill through iron reinforcements, use more initial pressure and a lower gear than if there were no iron reinforcements.
5. Use very small pressure initially to keep the drill bit in correct position.
6. During operation, make sure that the water removes all waste material from the drill hole. Adjust the water pressure if it is necessary.
7. Stop the motor. Refer to *To stop the product on page 13*.

To stop the product



WARNING: The drill bit continues to rotate for some time after the motor stops. Do not stop the drill bit with your hands. Injuries can occur.

1. To stop the product, set the ON/OFF switch to "0". (Fig. 26)
2. Wait until the drill bit has fully stopped.

To reset the motor overload protection

1. Stop the product. Refer to *To stop the product on page 13*.
2. Remove the blockage from the drill bit.
3. Start the product. Refer to *To start the product on page 13*.

To replace the drill bit



WARNING: Pull out the plug from the mains outlet before you replace the drill bit.

Note: Only use diamond drill bits that are approved for your product. Speak to your Husqvarna dealer for more information.

1. Make sure that you have got a new drill bit, 2 wrenches and water resistant grease.
2. Use the wrenches to remove the drill bit. (Fig. 27)
3. Lubricate the tool thread with water resistant grease.
4. Use the wrenches to attach the new drill bit.

Maintenance

Introduction



WARNING: Read and understand the safety chapter before you do maintenance on the product.




WARNING: To prevent injury, disconnect the power cord before you do maintenance.

Maintenance schedule

* = General maintenance done by the operator. The instructions are not given in this operator's manual.

X = The instructions are given in this operator's manual.

O = Speak to a Husqvarna service agent.

Maintenance	Before each use	After each use	Daily	After the first 100 h	After each 300 h
Make sure that movable parts function correctly and move freely.	*				
Make sure the cutting tool is sharp and clean.	*				
Make sure the PRCD functions correctly.					
 WARNING: Not applicable for 110V type sold in United Kingdom and Ireland. Refer to <i>PRCD</i> on page 10.	X				
Examine the power cord, other cables, and the power plug for damage.	*	*			
Make sure the handles and holding surfaces are dry, clean and free of oil and grease.	*	*			
Make sure the product is clean.	X	X			
Examine the shaft seals for damage/water leakage.		X			
Make sure that the nuts and screws are tight.			*		
Make sure that the ON/OFF switch operates correctly.			X		
Replace the gear oil.				O	
Examine the carbon brushes for damage.					X

To clean the product



CAUTION: Make sure that no water goes into the motor or the gearbox.



CAUTION: Do not use running water to clean the product.

- Use a dry or moist cloth to clean the product.
- Remove blockage from all air openings. A blocked air intake decreases the performance of the product and can cause the motor to become too hot.
- Clean and lubricate the spindle shaft thread.

To do maintenance of the diamond drill bit

- Make sure that the diamond tools segments are sharp. Sharpen blunt diamond segments with a SiC grind stone.

- Make sure that there is no vibration in the drill bit. If there is vibration in the drill bit, the diamond segments can come loose.
- Make sure that the diamond segments are sufficiently larger than the inner and outer diameter of the drill bit tube.
- Lubricate the drill bit thread with water resistant grease. This makes it easy to loosen the tool.
- Make sure that the radial run out at the diamond segments of the drill bit is not more than 1 mm.

To replace the gear oil



CAUTION: If there is gear oil leakage, stop the product and speak to an approved service center. The gear becomes damaged if the gear oil level is not sufficient.

- Let an approved Husqvarna service center replace the gear oil.

To examine the water connection



CAUTION: If there is a leakage of water from the water connection ring, the shaft seals must be replaced immediately.

- Let an approved Husqvarna service center repair the water connection.

To examine the carbon brushes

1. Remove the 4 screws that hold the cover for the carbon brushes. Use a flat wide screwdriver. (Fig. 28)

2. Examine the carbon brushes. The area of wear must be smooth and not damaged.
3. If it is necessary, let an approved Husqvarna service center replace the carbon brushes.

Troubleshooting

Troubleshooting schedule

If you cannot find a solution to your problems in this operator's manual, speak to your Husqvarna service agent.

Problem	Steps to do immediately	Possible cause	Solution
The product does not start when the ON/OFF switch is set to "1".	Set the ON/OFF switch to "0".	If there is a red light on the PRCD, the current is disconnected.	Push the RESET button on the PRCD. If the PRCD disconnects the current again, speak to an approved Husqvarna service center.
The product stops.		There is a fault with the current source. The current is disconnected by Elgard.	Do a check of the current source.
		The drill bit is blocked. The current is disconnected by Elgard.	Turn the drill bit right and left, use a wrench. Carefully remove the product from the drill hole.
		Too high load causes overload of the motor. The current is disconnected by Elgard.	Make sure that the drill bit can be turned easily in the drill hole.
		If there is a red light on the PRCD, the current is disconnected.	Push the RESET button on the PRCD. If the PRCD disconnects the current again, speak to an approved Husqvarna service center.
The product does not continue into the surface, decreases in speed and stops.		The diamond segments are blunt.	Sharpen the diamond segments with a SiC grind stone.
Unwanted material collects around the hole during operation.		The water pressure is too low.	Increase the water pressure. Refer to <i>Technical data on page 17</i> .
The diamond segments on the drill bit are pulled out of their bond.		There are much vibration in the product during the operation.	Use correct load when you operate the product.
There is leakage of gear oil.		Sealings are worn out and must be replaced.	Speak to an approved Husqvarna service center.
There is leakage of water from the hole on the water connection ring.		The shaft seals are defect.	Speak to an approved Husqvarna service center. Make sure to always use clean water.
The product does not operate smoothly.	Decrease the force.	Too high load causes overload of the motor.	Use less force when you drill.

Transportation and storage

- Pull out the plug from the power outlet before transportation or storage of the product.
- Keep the product in a locked area to prevent access for children or persons that are not approved.
- Remove the drill bit before transportation or storage of the product. This is to prevent damage to the product and the drill bits.
- Keep the product in a dry and frost-free area.
- Safely attach the product during transportation to prevent damage and accidents.

Technical data

Technical data

Data	DM400			DM430		
Motor						
Electrical motor	Single-phase			Single-phase		
Rated voltage, V	100-120, 110, 220-240			100-120, 110, 220-240		
Rated power, W	3200			3200		
Rated output, W	2300			2300		
Rated frequency, Hz	50-60			50-60		
Rated current, A						
100-120V (US, JP)	20			20		
110V (UK, Ireland)	30			30		
220-240V	15			15		
PRCD current, A						
100-120V (US, JP)	6 mA			6 mA		
220-240V	10 mA			10 mA		
Drill bit						
Max. drill diameter in concrete, mm/inch	350/14			450/18		
Min. drill diameter in concrete, mm/inch	55/2			100/4		
Weight, kg/lb	13.5/29.8			14.2/31.3		
Water cooling						
Water coupling	Gardena			Gardena		
Maximum water pressure, bar	3			3		
Tool connection						
Spindle thread, JP/SE/RoW	A-Rod/CRI 28/1 1/4" G			A-Rod/CRI 28/1 1/4" G		
Dust and slurry						
Drill bit diameter to use a slurry ring, mm/inch	50-350/ 2-13.8			50-350/ 2-13.8		
Operating data						
Gear	1	2	3	1	2	3
Speed spindle, idle, full load, rpm	230	460	720	150	300	470
Speed spindle, idle, no load, rpm	420	820	1250	250	510	800

Data	DM400			DM430		
Drill diameter in concrete, mm/inch	165-350/ 6.5-14	80-160/ 3-6	55-105/ 2-4	250-450/ 8-18	125-250/ 5-10	100-160/ 4-6
Recommended water volume, l/min	1.7-2.4	1.1-1.6	0.9-1.3	2.0-2.5	1.5-2.0	1.2-1.6

Noise emission data

Data	DM400	DM430
Noise emission		
Sound pressure level, dB (A)	92	92
Sound power level, L _{WA} dB (A) ¹	112	112

Embedded connectivity

Note: This part is applicable only for products supplied with embedded connectivity.

BLE technology radio spectrum	DM400	DM430
Frequency bands for the tool, GHz	2.402-2.480	2.402-2.480
Maximum radio-frequency power transmitted, dBm/mW	4/2.5	4/2.5

LED indications



CAUTION: Overload again and again can do damage to the product.

Indication on the product	Cause	Possible solution
1 green LED.	The tool is connected to mains voltage and can be used.	N/A
	Power output is less than 50% of available output power.	
2 green LEDs.	Power output is between 50% and 65% of available output power.	
3 green LEDs.	Power output is between 65% and 80% of available output power.	
3 green LEDs and 1 yellow LED.	Maximum power output. Power output is more than 80% of available output power.	

¹ Noise emission in the environment measured as sound power according to EN 62841-3-6. Expected measurement uncertainty 3 dB(A).

Indication on the product	Cause	Possible solution
3 green LEDs, 1 yellow LED and 1 red LED.	There is a system overload.	Decrease the load to prevent start of the Elgard™ motor overload protection.
All LEDs flash.	Elgard™ motor overload protection is started.	Decrease the load to go back to correct operation.
	Elgard™ motor overload protection has stopped the motor.	Refer to <i>To reset the motor overload protection on page 13.</i>
1 green LED flashes.	Smartstart™ is started.	Refer to <i>To use Smartstart™ on page 12.</i>

Accessories

Accessories

Accessory	DM400		DM430	
	Securing by vacuum pad: OK	Other securing: OK	Securing by vacuum pad: OK	Other securing: OK
Drill stand DS 500				
Slurry ring*	OK		OK	
Sealing disc*	OK		OK	
Rubber washer, part number 598 72 14-01	OK		OK	
* Contact you local service agent for more information				

Service

Approved service center

To find your nearest Husqvarna Construction Products approved service center, go to the web site www.husqvarnacp.com.

EC Declaration of Conformity

EU Declaration of Conformity

We, **Husqvarna AB**, SE-561 82 Huskvarna, Sweden, tel:
+46-36-146500, declare on our sole responsibility that
the product:

Description	Transportable diamond core drill
Brand	Husqvarna
Type/Model	DM400, DM430
Identification	Serial numbers dating from 2019 and onwards

complies fully with the following EU directives and
regulations:

Directive/Regulation	Description
2006/42/EC	"relating to machinery"
2014/53/EU	"relating to radio equipment"

and that the following harmonized standards and/or
technical specifications are applied;

EN ISO 12100:2010

EN 62841-1:2014

EN 62841-3-6:2014+A11:2017

EN 55014-1:2017

EN 55014-2:2015

EN 61000-3-2:2014

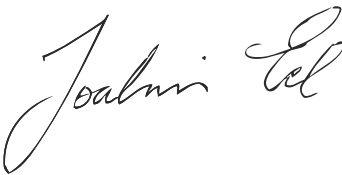
EN 61000-3-3:2013

ETSI EN 300 328 V2.1.1

ETSI EN 301 489-1 V2.2.0

ETSI EN 301 489-17 V3.2.0

Partille, 2019-12-08



Joakim Ed

Vice President, Concrete Sawing, Drilling & Light
Demolition

Husqvarna AB, Construction Division

Responsible for technical documentation

Registered trademarks

The *Bluetooth*[®] word mark and logos are registered trademarks owned by *Bluetooth SIG, inc.* and any use of such marks by Husqvarna is under license.

Indhold

Indledning.....	22	Transport og opbevaring.....	32
Sikkerhed.....	23	Tekniske data.....	33
Montering.....	27	Tilbehør.....	35
Drift.....	28	Service.....	35
Vedligeholdelse.....	30	EU-overensstemmelseserklæring.....	36
Fejlfinding.....	31	Registrerede varemærker.....	37

Indledning

Produktbeskrivelse

Denne boremotor fra Husqvarna er en transportabel diamantkerneboremaskine, der skal anvendes sammen med en godkendt borestander.

Diamantkerneboremaskinen er et hult bor med diamantsegmenter. Der føres vandet gennem kugleventil, slange og diamantbor. Vandet skyller det borede materiale ud fra indhakket og sænker temperaturen i boret.

Dette produkt har Smartstart™. Se *Sådan bruges Smartstart™ på side 29*.

Nogle modeller til dette produkt har integrerede tilslutningsmuligheder. Se *Integrerede tilslutningsmuligheder på side 22*.

Integrerede tilslutningsmuligheder

Løsningen til skybaseret administration af aktiver Husqvarna Fleet Services™ giver din maskinparkadministrator et overblik over alle produkter, der er forbundet via enten integrerede sensorer eller eftermarkedssensorer. Placeringen af gateway eller smartphone kan bruges til at angive placeringen af

forbundne produkter. Sensorerne registrerer data som køretid, serviceintervaller og meget mere. Du kan få flere oplysninger om løsningen til skybaseret administration af aktiver Husqvarna Fleet Services™, download iOS- eller Android-appen Husqvarna Fleet Services på <https://apps.apple.com/se/app/husqvarna-fleet-services/id1334672726> eller <https://play.google.com/store/apps/details?id=com.husqvarna.hfsmobile&hl=en>.

Visse modeller af dette produkt er forbundet via den integrerede Husqvarna Fleet Services™-sensor, der har funktionen Bluetooth Low Energy (BLE). For yderligere oplysninger om, hvordan du bruger det, se *Sådan bruges de integrerede tilslutningsmuligheder på side 28*. Du kan få flere oplysninger om radiospektrum med BLE-teknologi i *Integrerede tilslutningsmuligheder på side 34*.

Anvendelsesformål

Produktet anvendes til at bore i beton, sten, asfalt, beton og murværk. Al anden anvendelse er ikke korrekt.

Produktet anvendes til industriel brug af brugere med erfaring.

Produktoversigt

(Fig. 1)

1. Borespindel
2. Vaskeaggregat med lynkobling
3. Lækagehul
4. Gardena-hankobling med vandventil
5. Gearvælger
6. On/off-kontakt
7. Håndtag
8. Smartstart™
9. Lysdioder til at vise udgangseffekt
10. Elektronikboks
11. Monteringsplade til borestander fra Husqvarna
12. PRCD

Bemærk: I denne brugervejledning bruger vi udtrykket PRCD til at omtale PRCD og GFCl.

13. Vandtilslutning
14. Skruenøgle
15. Brugsanvisning

Symboler på produktet

(Fig. 2) ADVARSEL! Dette produkt kan være farligt og forårsage alvorlig personskade eller død for brugeren eller andre. Vær forsigtig, og brug produktet korrekt.

- (Fig. 3) Læs brugsanvisningen, og sørg for at have forstået indholdet, inden du bruger dette produkt.
- (Fig. 4) Brug altid godkendt personligt beskyttelsesudstyr. Se *Personligt beskyttelsesudstyr på side 26*.
- (Fig. 5) Dette produkt overholder de gældende EU-direktiver.
- (Fig. 6) **Miljømærke.** Produktet og produktemballagen er ikke almindeligt husholdningsaffald. Aflever det på en godkendt genbrugsstation til elektrisk og elektronisk udstyr.
- (Fig. 7) Sørg for, at der ikke kan trænge vand ind i produktet under boring i loftet. Brug en passende vandopsamler.

Bemærk: Andre symboler/etiketter på produktet refererer til specifikke krav for certificering på nogle markeder.

Produktansvar

Som nævnt i produktansvarsbestemmelserne hæfter vi ikke for skader forårsaget af vores produkt, hvis:

- produktet er forkert repareret.
- produktet er repareret med dele, der ikke er fra producenten eller ikke er godkendt af producenten
- produktet har tilbehør, der ikke er fra producenten eller ikke er godkendt af producenten.
- produktet ikke er repareret på et godkendt servicecenter eller af en godkendt myndighed.

Sikkerhed

Sikkerhedsdefinitioner

Advarsler, forholdsregler og bemærkninger bruges til at pege på særligt vigtige dele af brugsanvisningen.



ADVARSEL: Bruges, hvis føreren udsætter sig selv eller omkringstående personer for risiko for personskade eller dødsfald ved tilsidesættelse af instruktionerne i brugsanvisningen.



BEMÆRK: Bruges, hvis der er risiko for skader på produktet, andre materialer eller det omgivende område ved tilsidesættelse af instruktionerne i brugsanvisningen.

Bemærk: Bruges til at give yderligere oplysninger, der er nødvendige i en given situation.

Generelle sikkerhedsadvarsler om elværktøj



ADVARSEL: Læs alle sikkerhedsadvarsler, instruktioner, illustrationer og specifikationer, der følger med dette elværktøj. Hvis du ignorerer de nedenfor anførte instruktioner, kan det medføre elektrisk stød, brand og/eller alvorlige skader.

Opbevar alle advarsler og instruktioner til senere brug. Betegnelsen "elværktøj" i advarslerne henviser til dit værktøj, som drives af strøm fra elektricitetsnettet (med ledning) eller fra batteri (ledningsfrit).

Sikkerhed i arbejdsområdet

- **Hold arbejdsområdet rent og godt oplyst.** Rodede eller mørke områder er en invitation til ulykker.
- **Betjen ikke elværktøj i områder med eksplosionsfare som f.eks. i nærheden af brændbare væsker, luftarter eller støv.** Elværktøj danner gnister, som kan antænde støv eller dampe.
- **Hold børn og tilskuere borte, mens elværktøjet betjenes.** Distraction kan få dig til at miste styringen.

Elektrisk sikkerhed

- **Stikket på elværktøjet skal passe til stikkontakten. Man må aldrig ændre på stikket. Benyt ikke adapterstik i forbindelse med jordet elværktøj.** Uændrede stik og passende stikkontakter reducerer risikoen for elektrisk stød.
- **Undgå kropskontakt med jodede genstande som f.eks. rør, radiatorer, komfurer og køleskabe.** Der er øget risiko for elektrisk stød, hvis din krop har forbindelse til jord.
- **Udsæt ikke elværktøj for regn eller våde omgivelser.** Vand, som trænger ind i et elværktøj, forøger risikoen for elektrisk stød.
- **Behandl kablet forsigtigt. Benyt aldrig kablet til at bære eller trække i elværktøjet eller til at trække stikket ud. Hold ledningen væk fra varme, olie, skarpe kanter eller bevægelige dele.** Beskadigede eller filtrede kabler forøger risikoen for elektrisk stød.
- **Når man anvender et elværktøj udendørs, skal man bruge en forlængerledning, der er egnet til udendørs brug.** Brug af en ledning, der er egnet til udendørs brug, reducerer risikoen for elektrisk stød.
- **Hvis ikke man kan undgå at anvende et elværktøj på fugtige steder, skal man anvende et stik, der er beskyttet af en fejlstrømsafbryder.** Brug af et kabel

med fejlstrømsafbryder nedsætter risikoen for elektrisk stød.

Personlig sikkerhed

- **Vær altid opmærksom, hold øje med, hvad du foretager dig, og benyt sund fornuft, når du betjener elværktøj.** Benyt ikke elværktøj, hvis du er træt eller er påvirket af narkotika, alkohol eller medicin. Et øjeblik uopmærksomhed under betjening af elværktøj kan resultere i alvorlig personskade.
- **Bær personligt beskyttelsesudstyr. Brug altid beskyttelsesbriller.** Beskyttelsesudstyr som støvmaske, skridsikre sikkerhedssko, beskyttelseshjelm eller hørevern, som benyttes til de relevante formål vil nedsætte risikoen for personskade.
- **Sørg for at forhindre uønsket start af værktøjet. Sørg for, at kontakten er i frakoblet position, før du slutter produktet til strømkilden og/eller batterienheden, samt når du tager eller bærer produktet.** At bære elværktøj med fingeren på kontakten eller at sætte strøm til elværktøj med tændt kontakt er en invitation til ulykker.
- **Fjern alle indstillingsnøgler eller tænger, før elværktøjet tændes.** En tang eller nøgle, der efterlades på en roterende del af elværktøjet, kan forårsage personskade.
- **Stræk dig ikke for langt. Sørg for altid at have godt fodfæste og god balance.** Det sikrer bedre kontrol med elværktøjet i uventede situationer.
- **Bær det korrekte tøj.** Undgå at bære løstsiddende tøj eller smykker. Hold hår og tøj væk fra bevægelige dele. Løst tøj, smykker eller langt hår kan blive fanget af bevægelige dele.
- **Hvis der forefindes udstyr til støvudsugning og -opsamling, skal du sikre, at det er tilsluttet, og at det bruges korrekt.** Brug af støvopsamling kan nedbringe støvrelaterede farer.
- **Lad ikke erfaringen fra tidligere brug af værktøjer gøre dig eftergivende, så du ignorerer sikkerhedsprincipperne for værktøj.** En uforsigtig handling kan give alvorlige skader på en brøkdæl af et sekund.

Brug og pleje af elværktøj

- **Brug ikke magt ved brug af elværktøjet. Brug det korrekte elværktøj til din opgave.** Det korrekte elværktøj udfører arbejdet bedre og mere sikkert ved den norm, som det er konstrueret til.
- **Benyt ikke elværktøjet, hvis kontakten ikke kan slå til og fra.** Ethvert stykke elværktøj, som ikke kan styres med kontakten, er farligt og skal repareres.
- **Tag stikket ud af stikkontakten og/eller fjern batterienheden, hvis den kan tages ud, fra elværktøjet, før du foretager justeringer, skifter tilbehør eller sætter det til opbevaring.** Denne form for forebyggende sikkerhedsforanstaltninger nedsætter risikoen for, at elværktøjet startes ved et uheld.

- **Opbevar elværktøj der ikke er i brug uden for børns rækkevidde og lad ikke personer, der ikke er bekendt med elværktøjet eller disse instruktioner, betjene elværktøjet.** Elværktøj er farligt i hænderne på utrænede brugere.
- **Vedligeholdelse af eldvæne redskaber og tilbehør.** Kontroller, om bevægende dele sidder forkert eller binder, om dele er ødelagt og enhver anden tilstand, som kan påvirke elværktøjets funktion. Hvis elværktøjet er beskadiget, skal det repareres, før det bruges igen. Mange ulykker skyldes dårligt vedligeholdt elværktøj.
- **Hold skæreprodukter skarpe og rene.** Korrekt vedligeholdte skæreprodukter med skarpe klinger er mindre tilbøjelige til at binde og er lettere at styre.
- **Benyt elværktøj, tilbehør, værktøjsbits osv. i overensstemmelse med disse instruktioner og tag højde for arbejdsforholdene og det arbejde, der skal udføres.** Hvis man bruger det eldvæne produkt til andre formål end de tiltænkte, kan det medføre farlige situationer.
- **Hold håndtag og gribeblader tørre, rene og frie for olie og fedt.** Glatte håndtag og gribeblader muliggør ikke sikker håndtering og kontrol af værktøjet i uventede situationer.

Service

- **Få en kvalificeret reparatør til at foretage service på dit eldvæne produkt, og brug kun originale reservedele.** Det vil sikre, at elværktøjets sikkerhed bliver bibeholdt.

Sikkerhedsadvarsler vedrørende diamantbor

- **Ved boring, der kræver brug af vand, skal vandet ledes væk fra operatørens arbejdsområde, eller der skal bruges en væskeopsamler.** Sådanne forebyggende foranstaltninger holder operatørens arbejdsområde tørt og mindsker risikoen for elektrisk stød.
- **Hold kun motorredskabet i de isolerede grebsoverflader, når du udfører arbejde, hvor skæretilbehøret kan komme i kontakt med skjulte ledninger eller redskabets egen ledning.** Hvis skæretilbehør kommer i kontakt med en strømførende ledning, kan det medføre, at redskabets fritliggende metaldele også bliver strømførende, og at operatøren får elektrisk stød.
- **Brug hørevern under boring med diamantværktøj.** Udsættelse for støj kan medføre høretab.
- **Hvis boret er blokeret, skal du undlade at trykke værktøjet ned, og slukke det.** Undersøg værktøjet, og foretag de nødvendige ændringer for at eliminere årsagen til at boret sidder fast.
- **Ved genstart af et diamantbor i arbejdsmønnet kontrolleres det, at boret roterer frit, inden arbejdet genoptages.** Hvis boret sidder fast, kan det muligvis ikke starte, muligvis overbelastes værktøjet eller forårsage, at diamantboret frigøres fra arbejdsmønnet.

- **Når du fastgør borestanden til arbejdsemnet med forankringer og låse, skal du sørge for, at forankringen kan holde og fastholde maskinen under brug.** Hvis arbejdsemnet er svagt eller porøst, kan forankringen blive trukket ud og forårsage, at borestanden frigøres fra arbejdsemnet.
- **Når borestanden fastgøres med en vakuumpude til arbejdsemnet, monteres puden på en jævn, ren og ikke-porøs overflade. Må ikke fastgøres på laminerede overflader som fliser og kompositbelægning.** Hvis arbejdsemnet ikke er jævnt, fladt eller anbragt korrekt, kan puden blive trukket af arbejdsemnet.
- **Kontrollér, at der er tilstrækkeligt vakuum før og under boring.** Hvis vakuummet er utilstrækkeligt, kan puden slippe arbejdsemnet.
- **Udfør aldrig en boring, hvis maskinen kun er fastgjort med vakuumpuden, undtagen når du borer nedad.** Hvis vakuummet forsvinder, slipper puden arbejdsemnet.
- **Ved boring i vægge eller lofter skal du sørge for at beskytte personer og arbejdsområdet på den anden side.** Boret kan gå ud gennem hullet, eller borekernen kan falde ud på den anden side.
- **Når du borer over hovedhøjde, skal du altid anvende den væskeopsamler, der angives i instruktionerne. Lad ikke vandet løbe ind i værktøjet.** Vand, som trænger ind i elværktøjet, forøger risikoen for elektrisk stød.

Generelle sikkerhedsinstruktioner



ADVARSEL: Læs følgende advarselsinstruktioner, inden du bruger produktet.

- Dette produkt er et farligt værktøj, hvis du ikke er forsigtig, eller hvis du bruger produktet forkert. Dette produkt kan forårsage alvorlig personskade eller død for brugeren eller andre. Anvend ikke produktet, før du har læst og forstået indholdet i denne brugsanvisning.
- Følg alle advarsler og anvisninger
- Overhold alle gældende love og bestemmelser.
- Brugeren og brugeren arbejdsgever skal kende og forebygge farerne i forbindelse med brugen af produktet.
- Lad ikke en person betjene produktet, medmindre vedkommende har læst og forstået indholdet i denne brugsanvisning.
- Brug ikke produktet, medmindre du har modtaget oplæring i det før brug. Sørg for, at alle brugere oplæres i produktet.
- Lad ikke børn betjene produktet.
- Lad kun autoriserede personer betjene produktet.
- Brugeren er ansvarlig for uheld på mennesker og materiel.
- Brug ikke produktet, hvis du er træt, syg eller påvirket af alkohol, narkotika eller medicin.

- Vær altid forsigtig, og brug din sunde fornuft.
- Dette produkt danner et elektromagnetisk felt under drift. Dette felt kan i nogle tilfælde påvirke aktive eller passive medicinske implantater. For at mindske risikoen for alvorlig personskade eller dødsfald anbefaler vi, at personer med medicinske implantater kontakter deres læge og producenten af det medicinske implantat, før de tager produktet i brug.
- Hold produktet rent. Sørg for, at skilte og mærkater er tydeligt læsbare.
- Brug ikke produktet, hvis det er fejlbehæftet.
- Du må ikke foretage ændringer af dette produkt.
- Brug ikke produktet, hvis der er risiko for, at andre personer har foretaget ændringer af produktet.

Brug altid din sunde fornuft



ADVARSEL: Du bør under ingen omstændigheder ændre på den oprindelige udformning af produktet uden godkendelse fra producenten. Brug altid originale reservedele. Uautoriserede ændringer og/eller ikke-godkendt tilbehør kan medføre alvorlige skader eller dødsfald for brugeren eller andre.



ADVARSEL: Brug af produkter, som f.eks. kapsaven, vinkelslibere eller boremaskiner, som sliber eller former materiale, kan generere støv og dampe, som kan indeholde farlige kemikalier. Kontrollér, hvilken type materialer du skal behandle, og anvend passende åndedrætsværn.

Det er ikke muligt at tage højde for alle de situationer, du kan tænkes at komme ud for, når du bruger dette produkt. Udvis derfor altid forsigtighed, og brug din sunde fornuft. Undgå situationer, som du ikke synes, du er tilstrækkeligt kvalificeret til. Hvis du stadig føler dig usikker med hensyn til fremgangsmåden, efter at du har læst disse anvisninger, skal du kontakte en ekspert, før du fortsætter.

Du er velkommen til at kontakte din Husqvarna-forhandler, hvis du har spørgsmål til brugen af produktet. Vi står altid til disposition og giver gerne gode råd, som kan hjælpe dig med at anvende produktet på en effektiv og sikker måde.

Lad Husqvarna-forhandleren kontrollere produktet regelmæssigt og foretage de nødvendige justeringer og reparationer.

Husqvarna Construction Products forsøger hele tiden at videreudvikle sine produkter. Husqvarna forbeholder sig derfor ret til at ændre i konstruktionen uden forudgående varsel og uden yderligere forpligtelser.

Al information og alle data i denne brugsanvisning gælder fra den dato, hvorpå brugsanvisningen blev indleveret til tryk.

Sikkerhedsinstruktioner for betjening



ADVARSEL: Læs følgende advarselsinstruktioner, inden du bruger produktet.

- Brug ikke produktet, hvis du ikke kan få hjælp i tilfælde af en ulykke.
- Brug ikke produktet i dårligt vejr, såsom tåge, regn, hård vind, ekstrem kulde eller lignende vejrforhold. Farlige situationer, f.eks. glatte overflader, kan forekomme som følge af dårligt vejr.
- Pas på personer, genstande og situationer, som kan forhindre sikker brug af produktet.
- Når boret peger opad under betjening, skal du altid bruge en egnet beholder til opsamling af vand.
- Fastgør altid produktet til en passende borestand, før maskinen tages i brug. Se *Tilbehør på side 35*.
- Sørg for, at du altid kan standse motoren hurtigt i nødstilfælde.
- Sørg for, at der ikke er trukket rør eller elektriske kabler i det område, hvor der bores hul.
- Hvis produktet ikke fungerer korrekt, skal du omgående stoppe motoren.
- Sørg for at stå i en stabil og sikker stilling under brug.
- Hold dig på afstand af boret, når motoren er i gang.
- Du må ikke gå væk fra produktet, når motoren er tændt.
- Frakobl altid strømkablet, før du går væk fra produktet.
- Hold alle dele i god stand, og sørg for, at alle fastspændte genstande er spændt korrekt.
- Hvis der opstår vibrationer i produktet, eller hvis støjniveauet fra produktet er usædvanligt højt, skal du straks standse produktet. Undersøg, om produktet er blevet beskadiget. Reparér skader, eller lad et godkendt serviceværksted udføre reparationen.
- Brug altid godkendt tilbehør. Spørg forhandleren for at få yderligere oplysninger.

Personligt beskyttelsesudstyr



ADVARSEL: Læs følgende advarselsinstruktioner, inden du bruger produktet.

- Brug altid korrekt personligt beskyttelsesudstyr, når du bruger produktet. Personligt beskyttelsesudstyr fjerner ikke risikoen for skader. Personligt beskyttelsesudstyr mindsker eventuelle skader, hvis der sker et uheld. Lad forhandleren hjælpe dig med at vælge det rigtige udstyr.
- Anvend godkendt øjenværn, når du betjener produktet.
- Brug ikke løst, tungt og uegnet tøj. Brug tøj, du kan bevæge dig frit i.

- Brug godkendte beskyttelseshandsker, der sikrer et godt greb.
- Brug beskyttelsesgummihandsker for at undgå hudirritation fra våd beton.
- Brug en godkendt beskyttelseshjelm.
- Anvend altid godkendt høreværn, når du betjener produktet. Støj over længere perioder kan forårsage støjbetinget høretab.
- Produktet danner støv og dampe, der indeholder farlige kemikalier. Anvend et godkendt åndedrætsværn.
- Anvend støvler med stålsnude og skridsikre såler.
- Sørg for, at du har en førstehjælpskasse i nærheden.
- Der er mulighed for gnistdannelse ved betjening af produktet. Sørg for, at du har en brandslukker i nærheden.

Sikkerhedsanordninger på produktet



ADVARSEL: Læs følgende advarselsinstruktioner, inden du bruger produktet.

- Brug aldrig et produkt med defekt sikkerhedsudstyr! Klarer produktet ikke alle disse kontroller, skal du kontakte et serviceværksted for at få den repareret.
- Produktet må ikke bruges med defekte eller afmonterede beskyttelsesplader, beskyttelsesdæksler, sikkerhedsafbrydere eller andre sikkerheds-/beskyttelsesanordninger.

Motoroverbelastningsbeskyttelse, Elgard™

Motorens overbelastningsbeskyttelse aktiveres, hvis motoren har for høj belastning, eller hvis boret ikke kan bevæge sig frit.

Motorens overbelastningsbeskyttelse får kraften fra motoren til at stige og falde med korte intervaller i nogle sekunder. Hvis du derefter ikke reducerer kraften, stopper motoren. Se *Sådan nulstilles motorens overbelastningsbeskyttelse på side 30*.

Belastningsindikator



BEMÆRK: Gentagen overbelastning af produktet kan medføre beskadigelse af produktet.

Produktet har lysdioder, der viser belastningen af motoren. Se *LED-indikationer på side 34*.

PRCD



ADVARSEL: Ikke relevant for type med 110 V, der sælges i Storbritannien og Irland. Storbritannien og Irland: Brug ikke produkttypen med 110 V uden en skilletransformer, se EN/IEC 61558-1 og EN/IEC 61558-2-23. Skilletransformeren

skal have en jordforbundet jordledning på den sekundære viklingsside.



ADVARSEL: Nedsænk ikke PRCD i vand.



ADVARSEL: Før du betjener produktet, skal du altid foretage en kontrol af PRCD. Se *Sådan efterses PRCD på side 27.*

Produktet har en PRCD installeret på strømkablet. Denne PRCD er beregnet til at give beskyttelse og aktiveres, hvis der opstår en elektrisk fejl. Se *Tekniske data på side 33* for oplysninger om, hvor den aktuelle PRCD aktiveres.

Den røde lampe viser, at PRCD er tændt, og at produktet kan startes. Hvis den røde lampe ikke lyser, skal du trykke på nulstillingsknappen.

(Fig. 8)

Sådan efterses PRCD



ADVARSEL: Ikke relevant for type med 110 V, der sælges i Storbritannien og Irland. Se *PRCD på side 26.*



ADVARSEL: PRCD skal undersøges, hver gang strømkablet sluttes til et strømudtag.



ADVARSEL: Hvis PRCD skal repareres, skal du altid kontakte et godkendt Husqvarna-serviceværksted.

1. Forbind produktets strømstik til et strømudtag.
2. Tryk på nulstillingsknappen. Indikatoren over knappen lyser rødt, når strømmen er tilsluttet.
3. Start produktet, se *Sådan startes produktet på side 29.*
4. Tryk på knappen "TEST". Hvis produktet stopper, fungerer PRCD korrekt. (Fig. 9)

ON/OFF-kontakt

ON/OFF-kontakten skal bruges til at starte og stoppe produktet.

(Fig. 10)

Sådan kontrolleres ON/OFF-kontakten

1. Sæt produktets strømstik i en stikkontakt.
2. Drej ON/OFF-kontakten til "1" for at starte produktet.
3. Drej ON/OFF-kontakten til "0" for at stoppe produktet.

Friktionskobling

Friktionskoblingen er integreret i gearkassen. Den forhindrer beskadigelse af produktet, hvis boret stopper under betjening. Hvis belastningen er for høj, udløses friktionskoblingen og stopper borespindlen, mens motoren forbliver tændt i et par sekunder. Friktionskoblingen aktiveres igen, hvis belastningen reduceres, og betjeningen kan fortsætte. Hvis boret sætter sig fast i materialet og stopper helt, standser friktionskoblingen motoren øjeblikkeligt.



BEMÆRK: Kontroller, at koblingens frigivelsestid ikke er mere end 3-4 sekunder. Hvis det ikke er tilfældet, vil slid og varme hurtigt øges.

Sikkerhedsinstruktioner for vedligeholdelse



ADVARSEL: Kontrol og/eller vedligeholdelse skal udføres med motoren afbrudt og stikket trukket ud af stikkontakten.

- Vedligeholdelse af eldrevene redskaber og tilbehør. Kontrollér, om bevægelige dele sidder korrekt, eller om de binder. Se også efter, om der er defekte dele, og kontrollér alle andre forhold, som kan påvirke driften af produktet. Hvis elværktøjet er beskadiget, skal det repareres, før det bruges igen. Mange ulykker skyldes dårligt vedligeholdt elværktøj.
- Hold skæreprodukter skarpe og rene. Korrekt vedligeholdte skæreprodukter med skarpe klinger er mindre tilbøjelige til at binde og er lettere at styre.
- Få en kvalificeret reparatør til at foretage service på dit eldrevene produkt, og brug kun originale reservedele. Det vil sikre, at elværktøjets sikkerhed bliver bibeholdt.

Montering

Indledning



ADVARSEL: Læs og forstå kapitlet om sikkerhed, før du monterer produktet.



ADVARSEL: For at undgå personskade skal du frakoble strømledningen og fjerne boret inden montering.

Sådan fastgøres produktet på en borestander



BEMÆRK: Læs omhyggeligt brugervejledningen til borestanderen.

- Inden du sætter produktet på en borestander, skal du læse borestanderens brugervejledning.
- Brug kun godkendte Husqvarna-borestandere. Se *Tilbehør på side 35*.

Drift

Det skal du gøre, inden du betjener produktet

1. Læs brugsanvisningen omhyggeligt igennem, og sørg for at have forstået instruktionerne.
2. Læs brugervejledningen til borestanderen omhyggeligt igennem, og sørg for at have forstået instruktionerne.
3. Bær personligt beskyttelsesudstyr. Se *Personligt beskyttelsesudstyr på side 26*.
4. Sørg for, at den nominelle spænding i stikkontakten svarer til produktets spænding.
5. Sørg for, at arbejdsområdet er rent og lyst.
6. Sørg for, at produktet er korrekt samlet. Boret og borestanderen skal fastgøres korrekt. (Fig. 11)
7. Når du udfører omvendt boring, skal du sørge for at overholde de gældende anvisninger. Se *Sådan klargøres produktet til omvendt boring på side 28*.
8. Sørg for, at vandsystemet ikke er beskadiget, og at det er tilsluttet til produktet.
9. Foretag daglig vedligeholdelse. Se *Vedligeholdelsesskema på side 30*.
10. Sørg for, at PRCD er startet. Se *PRCD på side 26* og *Sådan efterses PRCD på side 27*.

Sådan bruges de integrerede tilslutningsmuligheder

Bemærk: Denne del gælder kun for produkter, der leveres med integrerede tilslutningsmuligheder.

Bemærk: Radiotransmission via Bluetooth®-funktionen aktiveres første gang, forbindelsen til et strømudtag etableres, og derefter forbliver den tændt.

1. Download Husqvarna Fleet Services iOS- eller Android-appen Husqvarna Fleet Services.
2. Gå til hjemmesiden Husqvarna Fleet Services <https://fleetservices.husqvarna.com> for at få flere oplysninger.

Sådan klargøres produktet til omvendt boring



ADVARSEL: Brug altid en skive med en tætningssskive og en gummiskive ved omvendt boring. Vand, der trænger ind i produktet, øger risikoen for elektrisk stød.

1. Rengør det øverste af slamringen. Alt fedt og snavs skal fjernes.
2. Fastgør dobbeltklæbende tape, eller brug sprøjtelim omkring den øverste åbning af slamringen (A). Placer tætningssskiven på den øverste åbning som et dæksel (B). Fastgør den stramt. (Fig. 12)
3. Se efter kerneboringsens dimension i toppen af boret. (Fig. 13)
4. Skær et hul i tætningssskiven i den nærmeste mindre dimension som kerneboringen. (Fig. 14)
5. Sæt gummiskiven på skiven med lynkobling på borespindelen. (Fig. 15)
6. Slut slamopsamleren til slamringens tilslutning. (Fig. 16)
7. Sæt slamringen på borespindelen (C). Monter boret på borespindelen (D). (Fig. 17)
8. Start slamopsamleren.
9. Løft boret op til loftet. Fastgør slamringen på loftet. (Fig. 18)

Sådan tilsluttes og åbnes vandforsyningen



BEMÆRK: Sørg for, at det maksimale vandtryk ikke er for højt. Se *Tekniske data på side 33*.



BEMÆRK: Brug kun rent vand for at undgå, at snavs forårsager en blokering i vandsystemet.



BEMÆRK: Brug kun en godkendt vandforsyningskobling. Spørg forhandleren for at få yderligere oplysninger.

1. Slut kugleventilen til vandforsyningen (A). (Fig. 19)

2. Åbn vandsystemet (B). Indstil vandtrykket, så det fjerner al affaldsmateriale fra borehullet.

Sådan mindskes motortemperaturen

- Betjen produktet uden belastning i 2 minutter for at mindske motortemperaturen.

Sådan skifter du gear



BEMÆRK: Skift gear, når motoren falder i hastighed eller stopper. Brug ikke overdreven kraft til at skifte gear.

- Sørg for altid at bruge den gældende hastighed for boret diameter. Se typeskiltet på produktet eller *Tekniske data på side 33*.
- Drej gearvælgeren for at skifte gear. (Fig. 20)

Sådan bruges Smartstart™

Smartstart™-funktionen sænker motorens omdrejningshastighed. Dette er nyttigt, når du skal bore et starthul.

1. Start motoren. Pas på, at boret ikke berører materialet.
2. Tryk én gang på Smartstart™-knappen (A). Omdrejningshastigheden sænkes, og den første grønne lysdiode blinker, mens Smartstart™-funktionen er slået til. (Fig. 21)
3. Bor et starthul i materialet.
4. Tryk på Smartstart™-knappen (A) igen. Omdrejningshastigheden øges til den normale omdrejningshastighed.

Omdrejningshastigheden øges automatisk tilbage til normal omdrejningshastighed 1 minut efter start af Smartstart™-funktionen, hvis der ikke trykkes på Smartstart™-knappen (A) igen.

Bemærk: Brug kun Smartstart™-funktionen til at påbegynde et hul. Effekten vil være meget reduceret, hvis den anvendes under normal drift.

Sådan startes produktet



ADVARSEL: Kontroller, at boret kan rotere frit. Det begynder at rotere, når motoren starter.



ADVARSEL: Hvis det er første gang, produktet startes på den pågældende dag, skal du udføre en kontrol af PRCD. Se *Sådan efterses PRCD på side 27*.

1. Tryk på nulstillingsknappen på PRCD. (Fig. 22)
2. Indstil hastigheden ved at dreje borespindelen og samtidig flytte gearvælgeren. Drej gearvælgeren i

den korrekte position for den ønskede handling. (Fig. 23)

3. Sørg for, at vandforsyningen er åbent. (Fig. 24)
4. Drej ON/OFF-kontakten til "1". (Fig. 25)

Betjening af produktet



ADVARSEL: Hvis PRCD aktiveres, skal du fjerne boret fra hullet, før du trykker på "NULSTIL".



ADVARSEL: Der kan opstå farlige ulykker, hvis betonkernen forbliver i boret, når du trækker boret op fra hullet.



ADVARSEL: Når du benytter en borestander, skal du betjene elværktøjet vha. de isolerede grebsoverflader på borestanderen.



BEMÆRK: Sørg for, at ingen genstande rammer boret.



BEMÆRK: Anvend ikke mere kraft end højest nødvendigt. Dette gør kun betjeningen langsom og overbelastet motoren.

1. Start motoren. Se *Sådan startes produktet på side 29*.
2. Lad motorhastigheden stige til den maksimale hastighed, før boret kommer i berøring med overfladen.
3. Skub boret ind i overfladen med fødegrebet.
4. Hvis du borer gennem jernarmeringer, skal du bruge mere starttryk og et lavere gear, end hvis der ikke var nogen jernarmeringer.
5. Anvend et meget let tryk i starten for at holde boret i den korrekte position.
6. Når maskinen betjenes, skal du sørge for, at vandet fjerner al affaldsmateriale fra borehullet. Juster vandtrykket, hvis det er nødvendigt.
7. Stop motoren. Se *Sådan standses produktet på side 29*.

Sådan standses produktet



ADVARSEL: Boret bliver ved med at rotere i et vist tidsrum, efter at motoren er standset. Stop ikke boret med hænderne. Der kan opstå personskaade.

1. Produktet stoppes ved at dreje ON/OFF-knappen til "0". (Fig. 26)
2. Vent, indtil boret er helt standset.

Sådan nulstilles motorens overbelastningsbeskyttelse

1. Stands produktet. Se *Sådan standses produktet på side 29*.
2. Fjern blokeringen fra boret.
3. Start produktet. Se *Sådan startes produktet på side 29*.

Sådan udskiftes boret



ADVARSEL: Træk stikket ud af stikkontakten før du udskifter boret.

Bemærk: Brug kun diamantbor, der er godkendt til dit produkt. Spørg Husqvarna-forhandleren for at få yderligere oplysninger.

1. Sørg for, at du har et nyt bor, 2 skruenøgler og vandafvisende fedt.
2. Brug skruenøglerne til at afmontere boret. (Fig. 27)
3. Smør værktøjets gevind med vandafvisende smørefedt.
4. Brug skruenøglerne til at fastgøre det nye bor.

Vedligeholdelse

Indledning



ADVARSEL: Læs og forstå sikkerhedskapitlet, før du udfører vedligeholdelse på produktet.



ADVARSEL: Tag netledningen ud af stikkontakten, før du udfører vedligeholdelse, for at forhindre skader.

Vedligeholdelsesskema

* = Generel vedligeholdelse udført af føreren.
 Instruktionerne findes ikke i denne brugsanvisning.
 X = Instruktionerne findes i denne brugsanvisning.
 O = Kontakt et Husqvarna-serviceværksted.

Vedligeholdelse	Før hver brug	Efter hver anvendelse	Hver dag	Efter de første 100 timer	Efter hver 300. time
Sørg for, at bevægelige dele fungerer korrekt og bevæger sig frit.	*				
Sørg for, at skæreværktøjet er skarpt og rent.	*				
Sørg for, at PRCD fungerer korrekt.	X				
ADVARSEL: Ikke relevant for type med 110 V, der sælges i Storbritannien og Irland. Se <i>PRCD på side 26</i> .					
Undersøg strømkablet samt andre kabler og stik for skader.	*	*			
Sørg for, at håndtag og holdeflader er tørre, rene og fri for olie og fedt.	*	*			
Sørg for, at produktet er rent.	X	X			
Undersøg akseltætningerne for skader/vandlækage.		X			
Sørg for, at møtrikker og skruer er spændt.			*		
Sørg for, at ON/OFF-kontakten fungerer korrekt.			X		
Udskift gearolien.				O	

Vedligeholdelse	Før hver brug	Efter hver anvendelse	Hver dag	Efter de første 100 timer	Efter hver 300. time
Efterse kulbørsterne for skader.					X

Sådan rengøres produktet



BEMÆRK: Sørg for, at der ikke trænger vand ind i motoren eller gearkassen.



BEMÆRK: Brug ikke rindende vand til at rengøre produktet.

- Brug en tør eller fugtig klud til at rengøre produktet.
- Fjern blokeringer fra alle til luftåbninger. Et tilstoppet luftindtag reducerer produktets ydeevne og kan medføre, at motoren bliver for varm.
- Rengør og smør spindelakslens gevind.

Sådan udfører du vedligeholdelse på diamantboret

- Kontroller, at diamantværktøjets segmenter er skarpe. Slib eventuelle sløve diamantsegmenter med en SiC-slibesten.
- Sørg for, at der ikke er nogen vibration i boret. Hvis der forekommer vibrationer i boret, kan diamantsegmenterne løsne sig.
- Sørg for, at diamantsegmenterne er tilstrækkeligt større end den indvendige og udvendige diameter på borets rør.
- Smør borets gevind med vandafvisende smørefedt. Det gør det let at løsne værktøjet.
- Kontroller, at de radiale udløb ved borets diamantsegmenter er ikke større end 1 mm.

Sådan udskiftes gearolien



BEMÆRK: Hvis der er lækage af gearolie, skal du standse produktet og rådføre dig hos et godkendt servicecenter. Gearet bliver beskadiget, hvis oliestanden i gearkassen er ikke tilstrækkelig.

- Få et godkendt Husqvarna-serviceværksted til at udskifte gearolien.

Sådan undersøges vandtilslutningen



BEMÆRK: Hvis der er en vandlækage fra vandtilslutningsringen, skal akselpakningerne straks udskiftes.

- Lad et godkendt Husqvarna-serviceværksted reparere vandtilslutningen.

Sådan undersøges kulbørsterne

1. Fjern de 4 skruer, der holder dækslet over kulbørsterne. Brug en flad, bred skruetrækker. (Fig. 28)
2. Undersøg kulbørsterne. Området for slitage skal være glat og ubeskadiget.
3. Hvis det er nødvendigt, skal du lade et godkendt Husqvarna-servicecenter udskifte kulbørsterne.

Fejlfinding

Fejlsøgningstabell

Hvis du ikke kan finde en løsning på problemerne i denne brugsanvisning, skal du henvende dig til dit Husqvarna-serviceværksted.

Problem	Trin, der skal udføres med det samme	Mulig årsag	Løsning
Produktet starter ikke, når ON/OFF-kontakten er drejet til "1".	Drej ON/OFF-kontakten til "0".	Hvis en rød lampe lyser på PRCD, afbrydes strømmen.	Tryk på nulstillingsknappen på PRCD. Hvis PRCD afbryder strømmen igen, skal du kontakte et godkendt Husqvarna-servicecenter.
Produktet standser.		Der er en fejl med strømkilden. Strømmen afbrydes af Elgard.	Udfør kontrol af strømkilden.
		Boret er blokeret. Strømmen afbrydes af Elgard.	Drej boret til højre og venstre, brug en skruenøgle. Fjern forsigtigt produktet fra borehullet.
		For høj belastning medfører overbelastning af motoren. Strømmen afbrydes af Elgard.	Sørg for, at boret let kan drejes i borehullet.
		Hvis en rød lampe lyser på PRCD, afbrydes strømmen.	Tryk på nulstillingsknappen på PRCD. Hvis PRCD afbryder strømmen igen, skal du kontakte et godkendt Husqvarna-servicecenter.
Produktet fortsætter ikke i overfladen, hastigheden reduceres og stopper.		Diamantsegmenterne er sløve.	Slib diamantsegmenterne med en SiC slibesten.
Uønsket materiale samler sig omkring hullet under betjening.		Vandtrykket er for lavt.	Øg vandtrykket. Se <i>Tekniske data på side 33</i> .
Diamantsegmenterne på boret er trukket ud af deres forbindelse.		Der er mange vibrationer i produktet under betjening.	Brug korrekt belastning, når du betjener produktet.
Der er lækage af gearolie.		Pakningerne er slidte og skal udskiftes.	Tal med et godkendt Husqvarna-servicecenter.
Der er lækage af vand fra hullet på vandtilslutningsringen.	Akselpakningerne er defekte.	Tal med et godkendt Husqvarna-servicecenter. Sørg for altid at bruge rent vand.	
Produktet kører ikke jævnt.	Reducer belastningen.	For høj belastning medfører overbelastning af motoren. Brug mindre kraft, når du borer.	

Transport og opbevaring

- Træk stikket ud af strømudtaget før transport eller opbevaring af produktet.
- Afmonter boret før transport eller oplagring af produktet. Dette er for at undgå skader på produktet og boret.
- Opbevar produktet i et aflåst område utilgængeligt for børn eller personer, som ikke er godkendt.
- Opbevar produktet på et tørt og frostfrit sted.
- Fastgør produktet sikkert under transport for at undgå skader og uheld.

Tekniske data

Tekniske data

Data	DM400			DM430		
Motor						
Elmotor	1-faset			1-faset		
Mærkespænding, V	100-120, 110, 220-240			100-120, 110, 220-240		
Nominel effekt, W	3200			3200		
Mærkeeffekt, W	2300			2300		
Nominel frekvens, Hz	50-60			50-60		
Nominel strøm, A						
100-120V (US, JP)	20			20		
110 V (Storbritannien, Irland)	30			30		
220-240V	15			15		
PRCD-strøm, A						
100-120V (US, JP)	6 mA			6 mA		
220-240V	10 mA			10 mA		
Bor						
Maks. borediameter i beton, mm/ tommer	350/14			450/18		
Min. borediameter i beton, mm/ tommer	55/2			100/4		
Vægt, kg/lb	13,5/29,8			14,2/31,3		
Vandkøling						
Vandtilslutning	Gardena			Gardena		
Maks. vandtryk, bar	3			3		
Værktøjstilslutning						
Spindelgevind, JP/SE/RoW	A-stang/CRI 28/1 1/4" G			A-stang/CRI 28/1 1/4" G		
Støv og slam						
Bordiameter til brug af slamring, mm/tommer	50-350/2-13,8			50-350/2-13,8		
Driftsdata						
Gear	1	2	3	1	2	3
Hastighed på spindel, tomgang, fuld belastning, omdr./min.	230	460	720	150	300	470

Data	DM400			DM430		
Hastighed på spindel, tomgang, ingen belastning, omdr./min.	420	820	1250	250	510	800
Borediameter i beton, mm/tommer	165-350/6,5-14	80-160/3-6	55-105/2-4	250-450/8-18	125-250/5-10	100-160/4-6
Anbefalet vandmængde, l/min.	1,7-2,4	1,1-1,6	0,9-1,3	2,0-2,5	1,5-2,0	1,2-1,6

Støjemissionsdata

Data	DM400	DM430
Støjemission		
Lydtryksniveau dB(A)	92	92
Lydeffektniveau, L_{WA} dB (A) ²	112	112

Integrerede tilslutningsmuligheder

Bemærk: Denne del gælder kun for produkter, der leveres med integrerede tilslutningsmuligheder.

Radiospektrum med BLE-teknologi	DM400	DM430
Frekvensbånd for værktøjet, GHz	2,402-2,480	2,402-2,480
Maksimal overført radiofrekvens, dBm/mW	4/2,5	4/2,5

LED-indikationer



BEMÆRK: Gentagen overbelastning kan medføre beskadigelse af produktet.

² Støjemission til omgivelserne målt som lydeffekt i henhold til EN 62841-3-6. Forventet måleusikkerhed 3 dB (A).

Angivelse på produktet	Årsag	Mulig løsning
1 grøn lysdiode.	Værktøjet er tilsluttet netspænding og kan anvendes.	N/A
	Udgangseffekten er mindre end 50% af den maksimale effekt.	
2 grønne lysdioder.	Udgangseffekten er mellem 50% og 65% af den maksimale effekt.	
3 grønne lysdioder.	Udgangseffekten er mellem 65% og 80% af den maksimale effekt.	
3 grønne lysdioder og 1 gul.	Maksimal udgangseffekt. Udgangseffekten er mere end 80% af den maksimale effekt.	
3 grønne lysdioder, 1 gul lysdiode og 1 rød lysdiode.	Systemet overbelastes.	Reducer belastningen for at forhindre aktivering af Elgard™-motorens overbelastningsbeskyttelse.
Alle lysdioder blinker.	Elgard™-overbelastningsbeskyttelse af motoren er startet.	Reducer belastningen for at vende tilbage til korrekt drift.
	Elgard™-overbelastningsbeskyttelsen af motoren har standset motoren.	<i>Se Sådan nulstilles motorens overbelastningsbeskyttelse på side 30.</i>
1 grøn lysdiode blinker.	Smartstart™ startes.	<i>Se Sådan bruges Smartstart™ på side 29.</i>

Tilbehør

Tilbehør

Tilbehør	DM400		DM430	
Borestander DS 500	Fastgørelse med vakuumpude: OK	Anden fastgørelse: OK	Fastgørelse med vakuumpude: OK	Anden fastgørelse: OK
Slamring*	OK		OK	
Tætningsskive*	OK		OK	
Gummiskive, reservedelsnummer 598 72 14-01	OK		OK	
* Kontakt dit lokale serviceværksted for at få flere oplysninger				

Service

Godkendt serviceværksted

Gå til www.husqvarnacp.com-websitet for at finde dit nærmeste Husqvarna Construction Products-servicecenter.

EU-overensstemmelseserklæring

EU-overensstemmelseserklæring

Vi, **Husqvarna AB**, SE-561 82 Huskvarna, Sverige, tlf.:
+46-36-146500 erklærer under eneansvar, at det
pågældende produkt:

Beskrivelse	Transportabel diamantkerneboremaskine
Varemærke	Husqvarna
Type/model	DM400, DM430
Identifikation	Serienumrene fra 2019 og fremefter

overholder følgende EU-direktiver og bestemmelser:

Direktiv/bestemmelser	Beskrivelse
2006/42/EC	"vedrørende maskiner"
2014/53/EU	"vedrørende radioudstyr"

og at følgende harmoniserede standarder og/eller
tekniske specifikationer anvendes,

EN ISO 12100:2010

EN 62841-1:2014

EN 62841-3-6:2014+A11:2017

EN 55014-1:2017

EN 55014-2:2015

EN 61000-3-2:2014

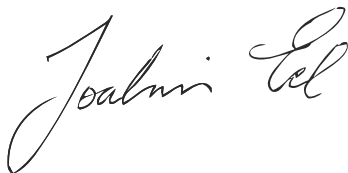
EN 61000-3-3:2013

ETSI EN 300 328 V2.1.1

ETSI EN 301 489-1 V2.2.0

ETSI EN 301 489-17 V3.2.0

Partille, 2019-12-08



Joakim Ed

Vice President, Concrete Sawing, Drilling & Light
Demolition

Husqvarna AB, Construction Division

Ansvarlig for teknisk dokumentation

Registrerede varemærker

Bluetooth[®]-navnet og -logoerne er registrerede varemærker tilhørende *Bluetooth SIG, inc.* , og al Husqvarnas brug deraf sker på licens.

Inhalt

Einleitung.....	38	Transport und Lagerung.....	51
Sicherheit.....	39	Technische Daten.....	52
Montage.....	44	Zubehör.....	54
Betrieb.....	45	Service.....	54
Wartung.....	47	EU-Konformitätserklärung.....	55
Fehlerbehebung.....	49	Eingetragene Marken.....	56

Einleitung

Gerätebeschreibung

Dieser Husqvarna-Bohrmotor ist ein transportabler Diamantkernbohrer zur Benutzung mit einem zugelassenen Bohrstander.

Das Diamantbohrbit ist ein Hohlbohrer mit Diamantsegmenten. Wasser fließt durch das Kugelventil, den Schlauch und das Diamantbohrbit. Das Wasser spült das Bohrklein aus dem Schlitz und senkt die Temperatur im Bohrbit.

Dies ist ein Gerät mit Smartstart™. Siehe *So benutzen Sie Smartstart™ auf Seite 46*.

Einige Modelle dieses Geräts verfügen über integrierte Konnektivität. Siehe *Integrierte Konnektivität auf Seite 38*.

Integrierte Konnektivität

Die Cloud-Asset-Verwaltungslösung Husqvarna Fleet Services™ bietet dem Flottenmanager eine Übersicht über alle verbundenen Geräte mit integrierten oder nachgerüsteten Sensoren. Die Position des Gateway oder Smartphones kann verwendet werden, um den Standort der verbundenen Geräte zu ermitteln. Die

Sensoren zeichnen Daten wie Laufzeit, Wartungsintervalle und andere auf. Holen Sie sich für weitere Informationen zur Cloud-Asset-Verwaltungslösung Husqvarna Fleet Services™ die App Husqvarna Fleet Services für iOS oder Android unter <https://apps.apple.com/se/app/husqvarna-fleet-services/id1334672726> oder <https://play.google.com/store/apps/details?id=com.husqvarna.hfsmobile&hl=en>.

Manche Modelle dieses Geräts sind über den integrierten Husqvarna Fleet Services™-Sensor verbunden, der die Funktion Bluetooth Low Energy (BLE) unterstützt. Weitere Informationen zur Nutzung finden Sie unter *So nutzen Sie die integrierte Konnektivität auf Seite 45*. Siehe *Integrierte Konnektivität auf Seite 53* für weitere Informationen zum BLE-Technologie-Frequenzspektrum.

Verwendungszweck

Das Gerät ist zum Bohren von Beton, Fels, Asphalt und Stein ausgelegt. Jede andere Verwendung ist nicht korrekt.

Das Gerät wird von erfahrenen Bedienern im Industriebetrieb eingesetzt.

Geräteübersicht

(Abb. 1)

1. Bohrspindel
2. Leichtlösering
3. Leckageöffnung
4. Einsteckaufsatz mit Wasserventil von Gardena
5. Gangwählschalter
6. Ein-/Aus-Schalter
7. Handgriff
8. Smartstart™
9. LEDs zum Anzeigen der Ausgangsleistung
10. Elektronikgehäuse
11. Montageplatte für Husqvarna-Bohrstander
12. PRCD

Hinweis: In dieser Bedienungsanleitung verwenden wir den Begriff PRCD für PRCD und GFCL.

13. Wasseranschluss
14. Schraubenschlüssel
15. Bedienungsanleitung

Symbole auf dem Gerät

- (Abb. 2) **WARNUNG!** Dieses Gerät kann gefährlich sein und schwere oder tödliche Verletzungen des Bedieners oder anderer Personen verursachen. Gehen Sie vorsichtig vor, und verwenden Sie das Gerät ordnungsgemäß.

- (Abb. 3) Lesen Sie die Bedienungsanleitung sorgfältig durch, und machen Sie sich mit den Anweisungen vertraut, bevor Sie das Gerät benutzen.
- (Abb. 4) Tragen Sie immer eine zugelassene persönliche Schutzausrüstung. Siehe *Persönliche Schutzausrüstung auf Seite 43*.
- (Abb. 5) Dieses Gerät stimmt mit den geltenden CE-Richtlinien überein.
- (Abb. 6) **Umweltkennzeichen.** Das Gerät und die Verpackung des Geräts dürfen nicht über den Hausmüll entsorgt werden. Recyceln Sie es an einer offiziellen Recyclingstation für elektrische und elektronische Geräte.
- (Abb. 7) Stellen Sie sicher, dass kein Wasser in das Gerät eindringen kann, wenn Sie in die Decke bohren. Verwenden Sie einen passenden Wassersammler.

Hinweis: Andere Symbole/Aufkleber am Gerät beziehen sich auf spezielle Zertifizierungsanforderungen, die in bestimmten Ländern gelten.

Produkthaftung

Im Sinne der Produkthaftungsgesetze übernehmen wir keine Haftung für Schäden, die unser Gerät verursacht, wenn...

- das Gerät nicht ordnungsgemäß repariert wird.
- das Gerät mit Teilen repariert wird, die nicht vom Hersteller stammen oder nicht vom Hersteller zugelassen sind.
- ein Zubehörteil mit dem Gerät verwendet wird, das nicht vom Hersteller stammt oder nicht vom Hersteller zugelassen ist.
- das Gerät nicht bei einem zugelassenen Service Center oder von einem zugelassenen Fachmann repariert wird.

Sicherheit

Sicherheitsdefinitionen

Warnungen, Vorsichtsmaßnahmen und Hinweise werden verwendet, um auf besonders wichtige Teile der Bedienungsanleitung hinzuweisen.



WARNUNG: Wird verwendet, wenn bei Nichtbeachtung der Anweisungen in diesem Handbuch die Gefahr von Verletzung oder Tod des Bedieners oder anderer Personen besteht.



ACHTUNG: Wird verwendet, wenn bei Nichtbeachtung der Anweisungen in diesem Handbuch die Gefahr von Schäden am Gerät, an anderen Materialien oder in der Umgebung besteht.

Hinweis: Für weitere Informationen, die in bestimmten Situationen nötig sind.

Allgemeine Sicherheitshinweise für Elektrowerkzeuge



WARNUNG: Lesen Sie alle für dieses Elektrowerkzeug vorgesehenen Sicherheitshinweise, Anleitungen, Abbildungen und technischen Daten. Wenn Sie die unten stehenden Anweisungen nicht befolgen, kann dies zu elektrischen Schlägen, Brand und/oder schweren Verletzungen führen.

Bewahren Sie alle Warnhinweise und Anweisungen für spätere Referenzzwecke auf. Der Begriff „Elektrowerkzeug“ in den Warnhinweisen bezieht sich auf ein Elektrowerkzeug mit Netzbetrieb (über ein Kabel) oder mit Akkubetrieb (kabellos).

Sicherheit im Arbeitsbereich

- **Sorgen Sie für einen sauberen und gut ausgeleuchteten Arbeitsbereich.** Durch zugestellte oder dunkle Arbeitsbereiche steigt die Unfallgefahr stark an.
- **Betreiben Sie Elektrowerkzeuge niemals an Orten, an denen Explosionsgefahr besteht, z. B. in der Nähe von leicht entzündlichen Flüssigkeiten, Gasen oder Staubansammlungen.** Bei der Arbeit mit Elektrowerkzeugen kann es zu Funkenbildung kommen, wodurch sich Staub oder Dämpfe entzünden können.
- **Sorgen Sie bei der Arbeit mit Elektrowerkzeugen dafür, dass sich keine Kinder oder unbefugte Personen in der Nähe befinden.** Durch Ablenkungen können Sie die Kontrolle über das Werkzeug verlieren.

Elektrische Sicherheit

- **Die Netzstecker von Elektrowerkzeugen müssen zur Steckdose passen. Der Netzstecker darf in keiner Weise verändert werden. Verwenden Sie bei Elektrowerkzeugen mit Schutzkontakt (geerdet) niemals Adapterstecker.** Nicht modifizierte Stecker und Steckdosen reduzieren das Risiko eines Elektroschocks.
- **Vermeiden Sie Körperkontakt mit geerdeten Gegenständen wie Rohrleitungen, Heizungen, Herden oder Kühlschränken.** Bei Körperkontakt mit

geerdeten Gegenständen besteht ein erhöhtes Stromschlagrisiko.

- **Setzen Sie Elektrowerkzeuge niemals Regen oder sonstiger Feuchtigkeit aus.** Wenn Wasser in ein Elektrowerkzeug eindringt, erhöht sich das Stromschlagrisiko.
- **Verwenden Sie das Anschlusskabel nicht missbräuchlich. Verwenden Sie das Anschlusskabel niemals zum Tragen oder Heranziehen des Elektrowerkzeugs, und ziehen Sie den Stecker nicht am Anschlusskabel aus der Steckdose. Halten Sie das Kabel fern von Hitzequellen, Öl, scharfen Kanten und beweglichen Teilen.** Beschädigte oder verdrehte Anschlusskabel erhöhen das Stromschlagrisiko.
- **Wenn Sie ein Elektrowerkzeug im Freien benutzen, verwenden Sie ein für den Außeneinsatz geeignetes Verlängerungskabel.** Die Verwendung eines für den Außeneinsatz geeigneten Kabels verringert das Risiko eines Stromschlags.
- **Falls der Einsatz eines Elektrowerkzeugs in einer feuchten Umgebung nicht zu vermeiden ist, benutzen Sie eine Stromversorgung mit FI-Schutzschalter (RCD).** Die Verwendung einer Fehlerstrom-Schutzeinrichtung (RCD) verringert das Risiko eines elektrischen Schlags.

Persönliche Sicherheit

- **Bleiben Sie aufmerksam, achten Sie auf das, was Sie tun, und setzen Sie gesunden Menschenverstand ein, wenn Sie mit Elektrowerkzeugen arbeiten. Benutzen Sie keine Elektrowerkzeuge, wenn Sie müde sind oder unter dem Einfluss von Drogen, Alkohol oder Medikamenten stehen.** Bei der Arbeit mit Elektrowerkzeugen können bereits kurze Phasen der Unaufmerksamkeit zu schweren Verletzungen führen.
- **Tragen Sie eine persönliche Schutzausrüstung. Tragen Sie stets einen Augenschutz.** Schutzausrüstung wie Atemschutzmaske, rutschsichere Sicherheitsschuhe, Schutzhelm und Gehörschutz senkt bei angemessenem Einsatz das Verletzungsrisiko.
- **Vermeiden Sie ein versehentliches Starten. Achten Sie darauf, dass sich der Schalter in der AUS-Stellung befindet, bevor Sie das Elektrowerkzeug an die Stromversorgung und/oder den Akku anschließen oder es hochheben oder herumtragen.** Durch Herumtragen von Elektrowerkzeugen mit dem Finger am Schalter und das Einstecken des Steckers bei betätigtem Schalter steigt das Unfallrisiko stark an.
- **Entfernen Sie sämtliche Einstellschlüssel, bevor Sie das Elektrowerkzeug einschalten.** Ein an einem beweglichen Teil des Elektrowerkzeugs angebrachter Schlüssel kann zu Verletzungen führen.
- **Sorgen Sie für einen festen Stand. Achten Sie jederzeit darauf, sicher zu stehen und das**

Gleichgewicht zu bewahren. Dadurch haben Sie das Elektrowerkzeug in unerwarteten Situationen besser im Griff.

- **Kleiden Sie sich richtig. Tragen Sie niemals lose sitzende Kleidung oder Schmuck. Halten Sie Haar und Kleidung von beweglichen Teilen fern.** Lose sitzende Kleidung, Schmuck oder langes Haar kann von beweglichen Teilen erfasst werden.
- **Wenn Anschlüsse für Staubabsaug- und Staubsammelvorrichtungen vorhanden sind, sorgen Sie dafür, dass diese richtig angeschlossen und eingesetzt werden.** Die Verwendung von Staubsammelvorrichtungen vermindert durch Staub verursachte Gefahren.
- **Auch wenn Sie durch häufige Verwendung bestens mit den Werkzeugen vertraut sind, dürfen Sie keinesfalls nachlässig werden und die Sicherheitsgrundsätze ignorieren.** Eine achtlose Handlung kann im Bruchteil einer Sekunde zu schweren Verletzungen führen.

Verwendung und Pflege von Elektrowerkzeugen

- **Überbeanspruchen Sie Elektrowerkzeuge nicht. Benutzen Sie das richtige Elektrowerkzeug für Ihren Einsatzzweck.** Das richtige Elektrowerkzeug erledigt seine Arbeit bei bestimmungsgemäßem Einsatz besser und sicherer.
- **Benutzen Sie das Elektrowerkzeug nicht, wenn es sich nicht am Schalter ein- und ausschalten lässt.** Jedes Elektrowerkzeug, das nicht mit dem Schalter betätigt werden kann, stellt eine Gefahr dar und muss repariert werden.
- **Trennen Sie das Elektrowerkzeug von der Stromversorgung, bzw. entfernen Sie den Akku, bevor Sie Einstellungen vornehmen, Zubehörteile austauschen oder das Elektrowerkzeug verstauen.** Solche präventiven Sicherheitsmaßnahmen verhindern den unbeabsichtigten Start des Elektrowerkzeugs.
- **Lagern Sie nicht benutzte Elektrowerkzeuge außerhalb der Reichweite von Kindern, und lassen Sie nicht zu, dass Personen das Elektrowerkzeug bedienen, die nicht mit dem Werkzeug selbst und/oder diesen Anweisungen vertraut sind.** Elektrowerkzeuge stellen in ungeschulten Händen eine Gefahr dar.
- **Warten Sie Elektrowerkzeuge und Zubehör. Prüfen Sie auf Fehlausrichtungen, sicheren Halt und Leichtgängigkeit beweglicher Teile, Beschädigungen von Teilen sowie auf jegliche andere Zustände, die sich auf den Betrieb des Elektrowerkzeugs auswirken können. Bei Beschädigungen lassen Sie das Elektrowerkzeug reparieren, bevor Sie es benutzen.** Viele Unfälle mit Elektrowerkzeugen sind auf schlechte Wartung zurückzuführen.
- **Halten Sie Schneidwerkzeuge scharf und sauber.** Ordnungsgemäß gewartete Schneidwerkzeuge mit scharfen Schneidkanten bleiben seltener hängen und sind einfacher zu bedienen.

- **Benutzen Sie Elektrowerkzeuge, Zubehör, Werkzeugeinsätze und Ähnliches in Übereinstimmung mit diesen Anweisungen und auf die für das jeweilige Elektrowerkzeug bestimmungsgemäße Weise, und beachten Sie dabei die jeweiligen Arbeitsbedingungen und die Art der auszuführenden Arbeiten.** Der Einsatz eines Elektrowerkzeugs für Zwecke, die von den hier angegebenen abweichen, kann zu Gefahrensituationen führen.
- **Halten Sie die Handgriffe und Griffflächen trocken, sauber und frei von Öl und Fett.** Wenn Handgriffe und Griffflächen rutschig sind, kann das Werkzeug in unerwarteten Situationen nicht sicher bedient und kontrolliert werden.

Service

- **Lassen Sie das Elektrowerkzeug von einem qualifizierten Fachmann reparieren und bestehen Sie darauf, dass nur Originalersatzteile verwendet werden.** Auf diese Weise wird dafür gesorgt, dass die Sicherheit des Elektrowerkzeugs nicht beeinträchtigt wird.

Sicherheitshinweise für Diamantbohrer

- **Leiten Sie bei Bohrarbeiten, bei denen Wasser erforderlich ist, das Wasser vom Arbeitsbereich des Bedieners weg, oder verwenden Sie ein Gerät zum Auffangen von Flüssigkeiten.** Durch solche Vorsichtsmaßnahmen bleibt der Arbeitsbereich des Bedieners trocken, und die Gefahr von elektrischen Schlägen wird verringert.
- **Halten Sie das Elektrowerkzeug an den isolierten Griffflächen fest, wenn Sie Arbeiten ausführen, bei denen das Schneidzubehör mit versteckten Kabeln oder dem eigenen Kabel in Berührung kommen kann.** Schneidzubehör, das mit einer stromführenden Leitung in Berührung kommt, kann freiliegende Metallteile des Elektrowerkzeugs unter Strom setzen und dem Bediener einen Stromschlag versetzen.
- **Tragen Sie beim Bohren mit Diamantwerkzeugen einen Gehörschutz.** Lärm kann zu Hörverlust führen.
- **Wenn das Bit klemmt, üben Sie keinen Druck mehr nach unten aus und schalten das Werkzeug aus.** Suchen Sie nach der Ursache für das Klemmen des Bits, und nehmen Sie entsprechende Korrekturmaßnahmen vor.
- **Stellen Sie beim erneuten Anschalten eines Diamantbohrers im Werkstück vor dem Start sicher, dass sich das Bit frei dreht.** Wenn das Bit klemmt, startet es möglicherweise nicht. Das kann das Werkzeug überlasten oder dazu führen, dass sich der Diamantbohrer aus dem Werkstück löst.
- **Wenn Sie den Bohrständer mit Verankerungen und Befestigungselementen am Werkstück befestigen, stellen Sie sicher, dass die verwendeten Verankerungen das Gerät halten und sichern können, während es läuft.** Ist das Werkstück schwach oder porös, kann die Verankerung sich

herauslösen, wodurch sich der Bohrständer vom Werkstück löst.

- **Wenn Sie den Bohrständer mit einem Vakuum-Pad am Werkstück befestigen, bringen Sie das Pad auf einer glatten, sauberen, nicht porösen Oberfläche an. Befestigen Sie es nicht an laminierten Oberflächen wie Fliesen oder Verbundwerkstoffen.** Wenn das Werkstück nicht glatt, flach oder gut befestigt ist, kann sich das Pad vom Werkstück lösen.
- **Stellen Sie vor und während des Bohrens sicher, dass ein ausreichender Unterdruck vorhanden ist.** Wenn der Unterdruck nicht ausreicht, kann sich das Pad vom Werkstück lösen.
- **Führen Sie niemals eine Bohrung durch, wenn die Maschine nur durch das Vakuum-Pad gesichert ist, außer es handelt sich um eine Bohrung nach unten.** Wenn der Unterdruck verloren geht, löst sich das Pad vom Werkstück.
- **Stellen Sie beim Bohren durch Wände oder Decken sicher, dass Personen und Arbeitsbereiche auf der anderen Seite geschützt sind.** Das Bit kann durch das Loch hinausragen, oder der Kern kann auf der anderen Seite herausfallen.
- **Verwenden Sie beim Überkopfbohren stets das in den Anweisungen genannte Flüssigkeitsauffanggerät. Lassen Sie kein Wasser in das Werkzeug eindringen.** Wenn Wasser in das Elektrowerkzeug eindringt, erhöht sich das Risiko von elektrischen Schlägen.

Allgemeine Sicherheitshinweise



WARNUNG: Lesen Sie die folgenden Warnhinweise, bevor Sie das Gerät benutzen.

- Dieses Gerät ist ein gefährliches Werkzeug, wenn Sie nicht aufpassen oder es unsachgemäß verwenden. Dieses Gerät kann schwere oder tödliche Verletzungen des Bedieners oder anderer Personen verursachen. Es ist sehr wichtig, dass Sie vor der Anwendung des Geräts den Inhalt dieser Bedienungsanleitung gelesen und verstanden haben.
- Bewahren Sie alle Warn- und Sicherheitshinweise auf.
- Halten Sie alle geltenden Gesetze und Vorschriften ein.
- Der Bediener und dessen Arbeitgeber müssen die mit dem Betrieb des Geräts verbundenen Gefahren kennen und vermeiden.
- Untersagen Sie allen Personen die Benutzung des Geräts, bis diese den Inhalt der Bedienungsanleitung gelesen und verstanden haben.
- Verwenden Sie das Gerät nicht, ohne vorher dafür geschult worden zu sein. Stellen Sie sicher, dass alle Bediener Schulungen erhalten.

- Lassen Sie nicht zu, dass Kinder das Gerät verwenden.
- Es dürfen nur zugelassene Personen mit dem Gerät arbeiten.
- Der Bediener ist für Unfälle verantwortlich, die anderen Personen zustoßen oder an deren Eigentum entstehen.
- Verwenden Sie das Gerät nicht, wenn Sie müde oder krank sind oder unter Einfluss von Alkohol, Drogen oder Medikamenten stehen.
- Lassen Sie immer Vorsicht walten, und arbeiten Sie mit gesundem Menschenverstand.
- Dieses Gerät erzeugt beim Betrieb ein elektromagnetisches Feld. Dieses Feld kann sich unter bestimmten Bedingungen auf die Funktionsweise aktiver oder passiver medizinischer Implantate auswirken. Um die Gefahr von Situationen, die zu schweren oder tödlichen Verletzungen führen können, zu verringern, sollten Personen mit einem medizinischen Implantat vor der Nutzung dieses Gerätes mit ihrem Arzt und dem Hersteller des Implantats sprechen.
- Halten Sie das Gerät sauber. Stellen Sie sicher, dass Symbole und Aufkleber deutlich lesbar sind.
- Verwenden Sie das Gerät nicht, wenn es defekt ist.
- Nehmen Sie keine Modifikationen am Gerät vor.
- Bedienen Sie das Gerät nicht, wenn die Möglichkeit besteht, dass andere Personen Modifikationen daran durchgeführt haben.

Arbeiten Sie stets mit gesundem Menschenverstand!



WARNUNG: An der Bauweise des Geräts dürfen ohne vorherige Genehmigung des Herstellers keine Veränderungen vorgenommen werden. Verwenden Sie stets Originalersatzteile. Unzulässige Änderungen und/oder Zubehör können zu schweren oder tödlichen Verletzungen des Benutzers oder anderer Personen führen.



WARNUNG: Die Verwendung von Fräsmaschinen, Schleifmaschinen und Bohrern, die Material abschleifen oder umformen, kann Staub und Ausdünstungen verursachen, die gefährliche Chemikalien enthalten können. Überprüfen Sie die Beschaffenheit des Materials, das Sie bearbeiten wollen, und verwenden Sie einen geeigneten Atemschutz.

Es ist nicht möglich, hier alle denkbaren Situationen zu beschreiben, die beim Gebrauch dieses Geräts auftreten könnten. Gehen Sie stets vorsichtig vor und arbeiten Sie mit gesundem Menschenverstand. Vermeiden Sie Situationen, denen Sie sich nicht gewachsen fühlen. Wenn Sie sich nach dem Lesen dieser Anweisungen immer noch unsicher fühlen, wie

Sie vorgehen sollen, bitten Sie einen Fachmann um Rat, bevor Sie fortfahren.

Zögern Sie nicht, Ihren Husqvarna-Händler anzusprechen, wenn Sie Fragen bezüglich des Gebrauchs des Geräts haben. Wir sind gerne für Sie da und helfen Ihnen beim optimalen und sicheren Einsatz Ihres Geräts.

Ihr Husqvarna-Fachhändler sollte das Gerät regelmäßig überprüfen und notwendige Einstellungen und Reparaturen vornehmen.

Husqvarna Construction Products arbeitet ständig an der Weiterentwicklung der Geräte. Husqvarna behält sich daher das Recht vor, ohne vorherige Ankündigung und ohne weitere Verpflichtungen Konstruktionsänderungen einzuführen.

Alle Informationen und Daten dieser Bedienungsanleitung gelten zum Zeitpunkt der Drucklegung.

Sicherheitshinweise für den Betrieb



WARNUNG: Lesen Sie die folgenden Warnhinweise, bevor Sie das Gerät benutzen.

- Bedienen Sie das Gerät nur dann, wenn Sie bei einem Unfall Hilfe bekommen können.
- Verwenden Sie das Gerät nicht bei Nebel, Regen, starkem Wind, großer Kälte oder sonstigen Schlechtwetterbedingungen. Bei schlechtem Wetter könnten sich gefährliche Bedingungen (z. B. rutschige Bodenflächen) einstellen.
- Achten Sie auf Personen, Gegenstände und Situationen, die einen sicheren Betrieb des Geräts verhindern könnten.
- Wenn der Bohrer nach oben zeigt, während er läuft, verwenden Sie immer einen passenden Behälter, um das Wasser aufzufangen.
- Bringen Sie das Gerät vor dem Betrieb immer an einem passenden Bohrstand an. Siehe *Zubehör auf Seite 54*.
- Stellen Sie sicher, dass Sie den Motor in einem Notfall immer schnell stoppen können.
- Stellen Sie außerdem sicher, dass sich keine Rohre oder Elektrokabel im Bohrbereich befinden.
- Wenn das Gerät nicht ordnungsgemäß funktioniert, stoppen Sie den Motor.
- Stellen Sie sicher, dass Sie während der Arbeit eine sichere und stabile Position einnehmen.
- Halten Sie stets Abstand zum Bohrit, wenn der Motor läuft.
- Entfernen Sie sich nicht vom Gerät, wenn der Motor eingeschaltet ist.
- Trennen Sie stets das Stromkabel, bevor Sie sich vom Gerät entfernen.
- Halten Sie alle Teile in einwandfreiem Zustand, und stellen Sie sicher, dass alle Befestigungsteile korrekt festgezogen sind.

- Wenn Vibrationen im Gerät auftreten oder es ungewöhnlich laut ist, stoppen Sie es umgehend. Untersuchen Sie das Gerät auf beschädigte Teile. Reparieren Sie Schäden, oder lassen Sie eine zugelassene Servicewerkstatt die Reparatur durchführen.
- Verwenden Sie immer zugelassenes Zubehör. Ihr Händler steht Ihnen gern für weitere Informationen zur Verfügung.

Persönliche Schutzausrüstung



WARNUNG: Lesen Sie die folgenden Warnhinweise, bevor Sie das Gerät benutzen.

- Verwenden Sie immer geeignete persönliche Schutzausrüstung bei der Benutzung des Geräts. Das Tragen persönlicher Schutzausrüstung schließt das Risiko von Verletzungen nicht aus. Das Tragen persönlicher Schutzausrüstung verringert das Ausmaß der Verletzungen bei einem Unfall. Lassen Sie sich von Ihrem Händler bei der Auswahl der richtigen Ausrüstung unterstützen.
- Tragen Sie einen zugelassenen Augenschutz beim Arbeiten mit dem Gerät.
- Tragen Sie keine lose, schwere und ungeeignete Kleidung. Tragen Sie Kleidung, in der Sie sich ungehindert bewegen können.
- Verwenden Sie zugelassene Schutzhandschuhe, die einen festen Griff ermöglichen.
- Tragen Sie Schutzhandschuhe aus Gummi, um Hautreizungen durch feuchten Beton vorzubeugen.
- Verwenden Sie einen zugelassenen Schutzhelm.
- Tragen Sie stets einen zugelassenen Gehörschutz beim Arbeiten mit dem Gerät. Lärmbelastung über einen längeren Zeitraum kann zu lärmbedingten Hörschäden führen.
- Das Gerät erzeugt Staub und Dämpfe, die gefährliche Chemikalien enthalten. Verwenden Sie einen zugelassenen Atemschutz.
- Tragen Sie Stiefel mit Stahlkappen und rutschfesten Sohlen.
- Vergewissern Sie sich, dass Sie einen Erste-Hilfe-Kasten griffbereit haben.
- Beim Arbeiten mit dem Gerät können Funken entstehen. Vergewissern Sie sich, dass Sie einen Feuerlöscher griffbereit haben.

Sicherheitsvorrichtungen am Gerät



WARNUNG: Lesen Sie die folgenden Warnhinweise, bevor Sie das Gerät benutzen.

- Benutzen Sie nie ein Gerät mit defekter Sicherheitsausrüstung! Wenn Ihr Gerät diesen Anforderungen nicht entspricht, muss eine Servicewerkstatt aufgesucht werden.

- Verwenden Sie das Gerät nicht, wenn Schutzbleche, Schutzabdeckungen, Sicherheitsschalter oder anderen Schutzvorrichtungen sind nicht angebracht oder defekt sind.

Motorüberlastungsschutz, Elgard™

Der Motorüberlastungsschutz wird ausgelöst, wenn der Motor überlastet ist oder das Bohrbit sich nicht frei drehen kann.

Für einige Sekunden senkt und erhöht der Motorüberlastungsschutz abwechselnd die vom Motor kommende Leistung in kurzen Intervallen. Dann hält der Motor an, wenn Sie den Druck nicht verringern. Siehe *So setzen Sie den Motorüberlastschutz zurück auf Seite 47.*

Lastanzeige



ACHTUNG: Durch wiederholtes Überlasten kann das Gerät beschädigt werden.

Das Gerät verfügt über LEDs zur Anzeige der Motorlast. Siehe *LED-Anzeigen auf Seite 53.*

PRCD



WARNUNG: Gilt nicht für den in England und Irland erhältlichen 110-V-Typ. England und Irland: Betreiben Sie den 110-V-Typ des Geräts nicht ohne Trenntransformator; siehe EN/IEC 61558-1 und EN/IEC 61558-2-23. Der Trenntransformator muss auf der Seite der Sekundärwicklung über ein geerdetes Massekabel verfügen.



WARNUNG: Tauchen Sie den PRCD-Schalter nicht in Wasser.



WARNUNG: Überprüfen Sie immer den PRCD-Schalter, bevor Sie das Gerät in Betrieb nehmen. Siehe *So überprüfen Sie den PRCD-Schalter auf Seite 44.*

Am Stromkabel des Geräts ist ein PRCD-Schalter installiert. Der PRCD-Schalter dient zum Schutz. Er wird ausgelöst, wenn ein elektrischer Fehler auftritt. Informationen dazu, bei welcher Stromstärke der PRCD-Schalter ausgelöst wird, finden Sie unter *Technische Daten auf Seite 52.*

Das rote Licht zeigt an, dass der PRCD-Schalter eingeschaltet ist und das Gerät gestartet werden kann. Wenn das rote Licht nicht leuchtet, drücken Sie die RESET-Taste.

(Abb. 8)

So überprüfen Sie den PRCD-Schalter



WARNUNG: Gilt nicht für den in England und Irland erhältlichen 110-V-Typ. Siehe *PRCD auf Seite 43*.



WARNUNG: Der PRCD-Schalter muss immer überprüft werden, wenn der Netzstecker an eine Netzsteckdose angeschlossen wird.



WARNUNG: Wenn der PRCD-Schalter repariert werden muss, wenden Sie sich immer an eine autorisierte Husqvarna-Servicewerkstatt.

1. Schließen Sie den Netzstecker des Geräts an eine Netzsteckdose an.
2. Drücken Sie auf die „RESET“-Taste. Die Anzeige über der Taste ist rot, wenn der Strom angeschlossen ist.
3. Starten Sie das Gerät, siehe *So starten Sie das Gerät auf Seite 46*.
4. Drücken Sie auf die „TEST“-Taste. Wenn das Gerät dadurch abgeschaltet wird, funktioniert der PRCD-Schalter ordnungsgemäß. (Abb. 9)

EIN-/AUS-Schalter

Der EIN-/AUS-Schalter wird zum Starten und Stoppen des Geräts verwendet.

(Abb. 10)

So prüfen Sie den EIN-/AUS-Schalter

1. Schließen Sie den Netzstecker des Geräts ans Netz an.
2. Schalten Sie den EIN-/AUS-Schalter auf „1“, um das Gerät zu starten.
3. Schalten Sie den EIN-/AUS-Schalter auf „0“, um das Gerät zu stoppen.

Reibungskupplung

Die Reibungskupplung ist im Getriebe des Geräts integriert. Sie verhindert Schäden am Gerät, wenn das Bohrbit während des Betriebs anhält. Bei Überlastung wird die Reibungskupplung entkuppelt, wodurch die Bohrspindel angehalten wird, der Motor aber einige Sekunden weiterläuft. Die Reibungskupplung kuppelt wieder ein, wenn die Last verringert wird. Dann kann der Betrieb fortgesetzt werden. Wenn sich das Bohrbit im Material verhakt und ganz zum Stillstand kommt, stoppt die Reibungskupplung den Motor sofort.



ACHTUNG: Stellen Sie sicher, dass die Entkupplungszeit nicht mehr als 3 bis 4 Sekunden beträgt. Andernfalls kommt es schnell zu Verschleiß und Erhitzung.

Sicherheitshinweise für die Wartung



WARNUNG: Kontrollen und/oder Wartungsarbeiten sind bei abgeschaltetem Motor und abgezogenem Stecker durchzuführen.

- Warten Sie Elektrowerkzeuge und Zubehör. Prüfen Sie, ob bewegliche Teile falsch eingestellt sind oder klemmen, ob Teile gebrochen oder so stark beschädigt sind, dass der sichere Betrieb des Elektrowerkzeugs beeinträchtigt werden kann. Bei Beschädigungen lassen Sie das Elektrowerkzeug reparieren, bevor Sie es benutzen. Viele Unfälle mit Elektrowerkzeugen sind auf schlechte Wartung zurückzuführen.
- Halten Sie Schneidwerkzeuge scharf und sauber. Ordnungsgemäß gewartete Schneidwerkzeuge mit scharfen Schneidkanten bleiben seltener hängen und sind einfacher zu bedienen.
- Lassen Sie das Elektrowerkzeug von einem qualifizierten Fachmann reparieren, und bestehen Sie darauf, dass nur Originalersatzteile verwendet werden. Auf diese Weise wird dafür gesorgt, dass die Sicherheit des Elektrowerkzeugs nicht beeinträchtigt wird.

Montage

Einleitung



WARNUNG: Lesen Sie vor der Montage des Geräts das Kapitel über Sicherheit, und machen Sie sich damit vertraut.



WARNUNG: Trennen Sie das Netzkabel, und entfernen Sie das Bohrbit vor der Montage, um Verletzungen zu vermeiden.

So befestigen Sie das Gerät an einem Bohrständler



ACHTUNG: Lesen Sie die Bedienungsanleitung für den Bohrständler sorgfältig durch.

- Um das Gerät an einen Bohrständler anzubauen, schlagen Sie in der Bedienungsanleitung für den Bohrständler nach.
- Nutzen Sie es nur mit zugelassenen Husqvarna Bohrständlern. Siehe *Zubehör auf Seite 54*.

Bevor Sie das Gerät bedienen

1. Lesen Sie die Bedienungsanleitung sorgfältig durch, und stellen Sie sicher, dass Sie die Anweisungen verstehen.
2. Lesen Sie die Bedienungsanleitung für den Bohrständer sorgfältig durch, und vergewissern Sie sich, dass Sie die Anweisungen verstanden haben.
3. Tragen Sie eine persönliche Schutzausrüstung. Siehe *Persönliche Schutzausrüstung auf Seite 43*.
4. Stellen Sie sicher, dass die Nennspannung der Netzsteckdose mit der Spannung des Geräts übereinstimmt.
5. Stellen Sie sicher, dass der Arbeitsbereich sauber und hell ist.
6. Stellen Sie sicher, dass das Gerät korrekt installiert ist. Das Bohrbit und der Bohrständer müssen korrekt befestigt sein. (Abb. 11)
7. Stellen Sie beim Bohren über Kopf sicher, dass die entsprechenden Anweisungen befolgt werden. Siehe *So bereiten Sie das Gerät auf das Bohren über Kopf vor auf Seite 45*.
8. Stellen Sie sicher, dass das Wassersystem nicht beschädigt ist und dass es an das Gerät angeschlossen ist.
9. Führen Sie die tägliche Wartung durch. Siehe *Wartungsplan auf Seite 47*.
10. Achten Sie darauf, dass der PRCD-Schalter eingeschaltet ist. Siehe *PRCD auf Seite 43* und *So überprüfen Sie den PRCD-Schalter auf Seite 44*.

So nutzen Sie die integrierte Konnektivität

Hinweis: Dieser Abschnitt gilt nur für Geräte mit integrierter Konnektivität.

Hinweis: Die Funkverbindung über die Bluetooth®-Funktion wird aktiviert, wenn das Gerät zum ersten Mal an eine Netzsteckdose angeschlossen wird, und bleibt danach aktiv.

1. Laden Sie Husqvarna Fleet Services als Husqvarna Fleet Services App für iOS oder Android herunter.
2. Besuchen Sie die Webseite von Husqvarna Fleet Services unter <https://fleetservices.husqvarna.com> für weitere Informationen.

So bereiten Sie das Gerät auf das Bohren über Kopf vor



WARNUNG: Verwenden Sie beim Bohren über Kopf stets einen Schlammring und eine Gummischeibe. Wasser, das in das Gerät eindringt, erhöht das Risiko eines elektrischen Schlags.

1. Reinigen Sie die Oberseite des Schlammrings. Schmierfett und Verunreinigungen müssen vollständig entfernt werden.
2. Bringen Sie doppelseitiges Klebeband an oder tragen Sie Sprühklebstoff an der oberen Öffnung des Schlammrings auf (A). Bringen Sie die Dichtscheibe als Abdeckung an der oberen Öffnung an (B). Sorgen Sie für einen festen Sitz. (Abb. 12)
3. Lesen Sie an der Oberseite des Bohrers das Maß des Kernbohrers ab. (Abb. 13)
4. Schneiden Sie ein Loch in die Dichtscheibe. Verwenden Sie dabei das nächstkleinere Maß zum Maß des Kernbohrers. (Abb. 14)
5. Bringen Sie die Gummischeibe am Leichtlösering an der Bohrspindel an. (Abb. 15)
6. Verbinden Sie den Schlammsammler mit dem Anschluss des Schlammrings. (Abb. 16)
7. Setzen Sie den Schlammring auf die Bohrspindel (C). Montieren Sie das Bohrbit auf der Bohrspindel (D). (Abb. 17)
8. Starten Sie den Schlammsammler.
9. Heben Sie das Bohrbit nach oben zur Decke. Bringen Sie den Schlammring an der Decke an. (Abb. 18)

So schließen Sie die Wasserversorgung an und schalten sie ein



ACHTUNG: Stellen Sie sicher, dass der maximale Wasserdruck nicht zu hoch ist. Siehe *Technische Daten auf Seite 52*.



ACHTUNG: Verwenden Sie nur sauberes Wasser, damit kein Schmutz das Wasserversorgungssystem verstopft.



ACHTUNG: Verwenden Sie nur zugelassene Wasserversorgungsanschlüsse. Ihr Händler steht Ihnen gern für weitere Informationen zur Verfügung.

1. Verbinden Sie das Kugelventil mit der Wasserversorgung (A). (Abb. 19)
2. Öffnen Sie den Wasserfluss durch das Wassersystem (B). Stellen Sie den Wasserdruck so ein, dass das gesamte Bohrklein aus dem Bohrloch entfernt wird.

So senken Sie die Motortemperatur

- Lassen Sie das Gerät 2 Minuten lang ohne Last laufen, um die Motortemperatur zu senken.

So wechseln Sie den Gang



ACHTUNG: Wechseln Sie den Gang nur, wenn der Motor langsamer wird oder stoppt. Wechseln Sie den Gang nicht mit Gewalt.

- Stellen Sie sicher, dass Sie immer die passende Drehzahl für den Bohrbit-Durchmesser verwenden. Siehe Typenschild des Geräts oder *Technische Daten auf Seite 52*.
- Drehen Sie den Gangwählschalter, um den Gang zu wechseln. (Abb. 20)

So benutzen Sie Smartstart™

Die Smartstart™-Funktion verringert die Drehzahl des Motors. Das unterstützt Sie beim Anbohren.

1. Starten Sie den Motor. Achten Sie darauf, dass der Bohrer das Material nicht berührt.
2. Drücken Sie einmal den Smartstart™-Knopf (A). Die Drehzahl wird verringert, und die erste grüne LED blinkt, wenn die Smartstart™-Funktion aktiviert ist. (Abb. 21)
3. Bohren Sie das Material an.
4. Drücken Sie die Smartstart™-Taste (A) erneut. Die Drehzahl wird wieder auf die übliche Drehzahl erhöht.

Die Drehzahl wird 1 Minute nach Start der Smartstart™-Funktion automatisch wieder auf die übliche Drehzahl erhöht, wenn die Smartstart™-Taste (A) nicht erneut gedrückt wird.

Hinweis: Verwenden Sie die Smartstart™-Funktion nur für das Anbohren. Bei Verwendung während des normalen Betriebs wird die Leistung stark eingeschränkt.

So starten Sie das Gerät



WARNUNG: Stellen Sie sicher, dass sich das Bohrbit frei drehen kann. Es fängt an sich zu drehen, wenn der Motor startet.



WARNUNG: Wenn Sie das Gerät zum ersten Mal am Tag starten, stellen Sie sicher, dass Sie den PRCD-Schalter testen.

Siehe *So überprüfen Sie den PRCD-Schalter auf Seite 44*.

1. Drücken Sie die „RESET“-Taste des PRCD-Schalters. (Abb. 22)
2. Um die Betriebsdrehzahl einzustellen, drehen Sie die Bohrspindel und bewegen gleichzeitig den Gangwählschalter. Stellen Sie den Gangwählschalter in die richtige Position für den Betrieb. (Abb. 23)
3. Stellen Sie sicher, dass das Wassersystem geöffnet ist. (Abb. 24)
4. Stellen Sie den EIN-/AUS-Schalter auf „1“. (Abb. 25)

So bedienen Sie das Gerät



WARNUNG: Wenn der PRCD-Schalter ausgelöst wird, entfernen Sie das Bohrbit aus dem Bohrloch, bevor Sie „RESET“ drücken.



WARNUNG: Gefährliche Unfälle können passieren, wenn der Betonbohrkern im Bohrbit verbleibt, während Sie das Bohrbit aus dem Bohrloch entfernen.



WARNUNG: Wenn Sie einen Bohrständer verwenden, bedienen Sie das Elektrowerkzeug an den isolierten Griffflächen des Bohrständers.



ACHTUNG: Stellen Sie sicher, dass keine Gegenstände auf das Bohrbit treffen.



ACHTUNG: Üben Sie nicht mehr Druck als notwendig aus. Dadurch wird der Betrieb nur langsamer, und der Motor wird überlastet.

1. Starten Sie den Motor. Siehe *So starten Sie das Gerät auf Seite 46*.
2. Warten Sie, bis die maximale Motordrehzahl erreicht ist, bevor Sie das Bohrbit die Oberfläche berühren lassen.
3. Drücken Sie das Bohrbit mit dem Zuführungshebel in die Oberfläche.
4. Wenn Sie durch Eisenarmierungen bohren, drücken Sie am Anfang fester auf und benutzen Sie einen niedrigeren Gang als bei Beton ohne Eisenarmierungen.
5. Üben Sie zunächst sehr wenig Druck aus. Dadurch bleibt das Bohrbit in der richtigen Stellung.
6. Stellen Sie während des Betriebs sicher, dass das Wasser das gesamte Bohrklein aus dem Bohrloch spült. Stellen Sie den Wasserdruck nach, falls dies erforderlich ist.

7. Stoppen Sie den Motor. Siehe *So stoppen Sie das Gerät auf Seite 47*.

So stoppen Sie das Gerät



WARNUNG: Nach dem Stoppen des Motors dreht sich das Bohrbit noch eine Zeit lang weiter. Stoppen Sie das Bohrbit nicht mit den Händen. Dies könnte zu Verletzungen führen.

1. Um das Gerät zu stoppen, stellen Sie den EIN-/AUS-Schalter auf „0“. (Abb. 26)
2. Warten Sie, bis das Bohrbit vollständig zum Stillstand gekommen ist.

So setzen Sie den Motorüberlastschutz zurück

1. Stoppen Sie das Gerät. Siehe *So stoppen Sie das Gerät auf Seite 47*.
2. Entfernen Sie die Verstopfung aus dem Bohrbit.
3. Starten Sie das Gerät. Siehe *So starten Sie das Gerät auf Seite 46*.

So ersetzen Sie das Bohrbit



WARNUNG: Ziehen Sie den Stecker aus der Steckdose, bevor Sie das Bohrbit ersetzen.

Hinweis: Verwenden Sie nur für Ihr Gerät genehmigte Diamantbohrbits. Ihr Husqvarna-Händler steht Ihnen gern für weitere Informationen zur Verfügung.

1. Stellen Sie sicher, dass Sie ein neues Bohrbit, 2 Schraubenschlüssel und wasserfestes Schmierfett zur Hand haben.
2. Entfernen Sie das Bohrbit mit den Schraubenschlüsseln. (Abb. 27)
3. Schmieren Sie das Gewinde des Werkzeugs mit wasserabweisendem Schmierfett.
4. Bringen Sie das neue Bohrbit mit den Schraubenschlüsseln an.

Wartung

Einleitung



WARNUNG: Lesen Sie vor dem Warten des Geräts das Kapitel über Sicherheit, und machen Sie sich damit vertraut.




WARNUNG: Um Verletzungen zu vermeiden, trennen Sie das Netzkabel ab, bevor Sie Wartungsarbeiten durchführen.

Wartungsplan

* = Allgemeine Wartung durch den Bediener. Diese Anweisungen sind nicht in dieser Bedienungsanleitung enthalten.

X = Diese Anweisungen sind in dieser Bedienungsanleitung enthalten.

O = Bitte eine Husqvarna-Servicewerkstatt kontaktieren.

Wartung	Vor jedem Gebrauch	Nach jedem Gebrauch	Täglich	Nach den ersten 100 Betriebsstunden	Alle 300 Betriebsstunden
Sicherstellen, dass bewegliche Teile korrekt funktionieren und nicht klemmen.	*				
Sicherstellen, dass das Schneidwerkzeug scharf und sauber ist.	*				
Die korrekte Funktion des PRCD-Schalters überprüfen.  WARNUNG: Gilt nicht für den in England und Irland erhältlichen 110-V-Typ. Siehe <i>PRCD auf Seite 43</i> .	X				
Stromkabel, andere Kabel und den Netzstecker auf Schäden prüfen.	*	*			

Wartung	Vor jedem Gebrauch	Nach jedem Gebrauch	Taglich	Nach den ersten 100 Betriebsstunden	Alle 300 Betriebsstunden
Sicherstellen, dass Griffe und Griffflachen trocken, sauber und frei von Ol und Schmierfett sind.	*	*			
Sicherstellen, dass das Gerat sauber ist.	X	X			
Dichtungen der Welle auf Schaden/Wasserleckagen prufen.		X			
Sicherstellen, dass alle Muttern und Schrauben fest angezogen sind.			*		
Korrekte Funktion des EIN-/AUS-Schalters prufen.			X		
Getriebeol wechseln.				O	
Kohlebursten auf Schaden prufen.					X

So reinigen Sie das Gerat



ACHTUNG: Stellen Sie sicher, dass kein Wasser in den Motor oder das Getriebe eindringt.



ACHTUNG: Verwenden Sie zur Reinigung des Gerats kein laufendes Wasser.

- Reinigen Sie das Gerat mit einem trockenen oder feuchten Tuch.
- Entfernen Sie Verstopfungen aus den Luftoffnungen. Ein verstopfter Lufteinlass reduziert die Leistung des Gerats und kann dazu fuhren, dass der Motor zu hei wird.
- Reinigen und schmieren Sie das Gewinde der Spindelwelle.

So warten Sie das Diamantbohrbit

- Stellen Sie sicher, dass die Diamantsegmente des Werkzeugs scharf sind. Scharfen Sie stumpfe Diamantsegmente mit einem SiC-Schleifstein.
- Achten Sie darauf, dass es im Bohrbit nicht zu Vibrationen kommt. Wenn das Bohrbit vibriert, konnen sich die Diamantsegmente losen.
- Stellen Sie sicher, dass die Diamantsegmente ausreichend groer als der Innen- und Auendurchmesser der Bohrbitrohre sind.
- Schmieren Sie das Gewinde des Bohrbits mit wasserabweisendem Schmierfett. Dadurch konnen Sie das Werkzeug einfacher losen.
- Stellen Sie sicher, dass der Rundlauf bei den Diamantsegmenten des Bohrbits nicht mehr als 1 mm betragt.

So wechseln Sie das Getriebeol



ACHTUNG: Wenn Getriebeol auslauft, stoppen Sie das Gerat, und wenden Sie sich an ein autorisiertes Service Center. Das Getriebe wird bei einem nicht ausreichenden Getriebeolstand beschadigt.

- Lassen Sie das Getriebeol von einem autorisierten Husqvarna-Service Center wechseln.

So uberprufen Sie den Wasseranschluss



ACHTUNG: Wenn der Verbindungsring undicht ist und Wasser auslauft, mussen die Wellendichtungen umgehend ersetzt werden.

- Lassen Sie die Reparatur des Wasseranschlusses von einem autorisierten Husqvarna-Service Center durchfuhren.

So uberprufen Sie die Kohlebursten

1. Entfernen Sie die 4 Schrauben zur Befestigung des Gehauses fur die Kohlebursten. Benutzen Sie einen flachen, breiten Schraubenzieher. (Abb. 28)
2. Uberprufen Sie die Kohlebursten. Der Verschleibereich muss glatt sein und darf nicht beschadigt sein.
3. Lassen Sie die Kohlebursten ggf. durch ein autorisiertes Husqvarna-Service Center ersetzen.

Fehlerbehebung

Problemlösung

Wenn Sie in dieser Bedienungsanleitung keine Lösung für Ihre Probleme finden können, wenden Sie sich an Ihre Husqvarna-Servicewerkstatt.

Störung	Schritte, die sofort ausgeführt werden können	Mögliche Ursache	Lösung
Das Gerät startet nicht, wenn der EIN-/AUS-Schalter auf „1“ gestellt wird.	Den EIN-/AUS-Schalter auf „0“ stellen.	Wenn am PRCD-Schalter ein rotes Licht leuchtet, ist die Verbindung zum Stromnetz unterbrochen.	Auf die RESET-Taste des PRCD-Schalters drücken. Wenn der PRCD-Schalter die Verbindung zum Netzstrom erneut trennt, wenden Sie sich an ein autorisiertes Husqvarna-Service Center.
Das Gerät schaltet sich ab.		Es liegt ein Fehler an der Stromquelle vor. Elgard hat die Verbindung mit dem Netzstrom unterbrochen.	Die Stromquelle kontrollieren.
		Das Bohrbit ist blockiert. Elgard hat die Verbindung mit dem Netzstrom unterbrochen.	Das Bohrbit mit einem Schraubenschlüssel nach rechts und links drehen. Das Gerät vorsichtig aus dem Bohrloch ziehen.
		Zu hohe Last verursacht eine Motorüberlastung. Elgard hat die Verbindung mit dem Netzstrom unterbrochen.	Sicherstellen, dass das Bohrbit im Bohrloch leicht gedreht werden kann.
		Wenn am PRCD-Schalter ein rotes Licht leuchtet, ist die Verbindung zum Stromnetz unterbrochen.	Auf die RESET-Taste des PRCD-Schalters drücken. Wenn der PRCD-Schalter die Stromverbindung erneut trennt, ein autorisiertes Husqvarna-Service Center kontaktieren.
		Die Diamantsegmente sind stumpf.	Die Diamantsegmente mit einem SiC-Schleifstein schärfen.
Das Gerät dringt nicht weiter in die Oberfläche ein, wird langsamer und hält an.		Der Wasserdruck ist zu niedrig.	Den Wasserdruck erhöhen. Siehe <i>Technische Daten auf Seite 52</i> .
Unerwünschtes Material sammelt sich während des Betriebs um die Bohrung herum an.		Das Gerät vibriert beim Betrieb stark.	Das Gerät mit der richtigen Last betreiben.
Die Diamantsegmente am Bohrbit haben sich aus ihrer Befestigung gelöst.		Dichtungen sind verschlissen und müssen ersetzt werden.	Ein autorisiertes Husqvarna-Service Center kontaktieren.
Getriebeöl läuft aus.		Die Wellendichtungen sind defekt.	Ein autorisiertes Husqvarna-Service Center kontaktieren. Stets sauberes Wasser verwenden.
Wasser läuft aus dem Loch am Wasserverbindungsring.		Den Druck verringern.	Zu hohe Last verursacht eine Motorüberlastung.
Das Gerät läuft unrund.			

Transport und Lagerung

- Ziehen Sie den Stecker von der Netzsteckdose ab, bevor Sie das Gerät transportieren oder einlagern.
- Entfernen Sie das Bohrbit vor dem Transportieren oder Einlagern des Geräts. Dadurch können Schäden am Gerät und an den Bohrbits vermieden werden.
- Bewahren Sie das Gerät in einem verschlossenen Bereich auf, um einen unerlaubten Zugriff durch Kinder oder andere nicht befugte Personen zu verhindern.
- Bewahren Sie das Gerät in einem trockenen und frostfreien Raum auf.
- Sichern Sie das Gerät während des Transports ab, um Schäden und Unfälle zu vermeiden.

Technische Daten

Technische Daten

Daten	DM400			DM430		
Motor						
Elektromotor	Einphasig			Einphasig		
Nennspannung, V	100-120, 110, 220-240			100-120, 110, 220-240		
Nennleistung, W	3200			3200		
Nennleistung, W	2300			2300		
Nennfrequenz, Hz	50-60			50-60		
Nennstrom, A						
100-120 V (US, JP)	20			20		
110 V (GB, Irland)	30			30		
220-240 V	15			15		
PRCD-Stromstärke, A						
100-120 V (US, JP)	6 mA			6 mA		
220-240 V	10 mA			10 mA		
Bohrbit						
Max. Bohrdurchmesser in Beton, mm/Zoll	350/14			450/18		
Min. Bohrdurchmesser in Beton, mm/Zoll	55/2			100/4		
Gewicht, kg/lb	13,5/29,8			14,2/31,3		
Wasserkühlung						
Wasseranschluss	Gardena			Gardena		
Maximaler Wasserdruck, bar	3			3		
Werkzeuganschluss						
Spindelgewinde, JP/SE/RoW	A-Rod/CRI 28/1 1/4 Zoll G			A-Rod/CRI 28/1 1/4 Zoll G		
Staub und Schlamm						
Bohrerdurchmesser zur Verwendung mit Schlammring, mm/Zoll	50-350/2-13,8			50-350/2-13,8		
Betriebsdaten						
Gang	1	2	3	1	2	3
Spindeldrehzahl, Leerlauf, Vollast, U/min	230	460	720	150	300	470

Daten	DM400			DM430		
	Spindeldrehzahl, Leerlauf, ohne Last, U/min	420	820	1250	250	510
Bohrdurchmesser in Beton, mm/ Zoll	165-350/6, 5-14	80-160/3-6	55-105/2-4	250-450/8- 18	125-250/5- 10	100-160/4- 6
Empfohlene Wassermenge, l/min	1,7-2,4	1,1-1,6	0,9-1,3	2,0-2,5	1,5-2,0	1,2-1,6

Geräuschemissionsdaten

Daten	DM400	DM430
Geräuschemissionen		
Schalldruckpegel, dB (A)	92	92
Schallleistungspegel, garantiert $L_{WA}dB (A)^3$	112	112

Integrierte Konnektivität

Hinweis: Dieser Abschnitt gilt nur für Geräte mit integrierter Konnektivität.

BLE-Technologie-Frequenzspektrum	DM400	DM430
Frequenzbänder für das Werkzeug, GHz	2,402-2,480	2,402-2,480
Maximale übertragene Funkfrequenz-Leistung, dBm/mW	4/2,5	4/2,5

LED-Anzeigen



ACHTUNG: Durch wiederholtes Überlasten kann das Gerät beschädigt werden.

³ Umweltbelastende Geräuschemissionen gemessen als Schallleistung gemäß EN 62841-3-6. Erwartete Messunsicherheit 3 dB (A).

Anzeige auf dem Gerät	Ursache	Mögliche Abhilfe
1 grüne LED.	Das Werkzeug ist an die Netzspannung angeschlossen und kann verwendet werden.	k. A.
	Die Leistung beträgt weniger als 50 % der verfügbaren Ausgangsleistung.	
2 grüne LEDs.	Die Leistung beträgt zwischen 50 % und 65 % der verfügbaren Ausgangsleistung.	
3 grüne LEDs.	Die Leistung beträgt zwischen 65 % und 80 % der verfügbaren Ausgangsleistung.	
3 grüne LEDs und 1 gelbe LED.	Maximale Leistung. Die Leistung beträgt mehr als 80 % der verfügbaren Ausgangsleistung.	
3 grüne LEDs, 1 gelbe und 1 rote LED.	Es liegt eine Systemüberlastung vor.	Last verringern, um ein Starten des Elgard™-Motorüberlastungsschutzes zu vermeiden.
Alle LEDs blinken.	Elgard™-Motorüberlastungsschutz ist gestartet.	Last verringern, um zum normalen Betrieb zurückzukehren.
	Motor wurde durch Elgard™-Motorüberlastungsschutz gestoppt.	Siehe <i>So setzen Sie den Motorüberlastschutz zurück auf Seite 47.</i>
1 grüne LED blinkt.	Smartstart™ wird gestartet.	Siehe <i>So benutzen Sie Smartstart™ auf Seite 46.</i>

Zubehör

Zubehör

Zubehör	DM400		DM430	
Bohrständer DS 500	Sicherung durch Vakuum-Pad: OK	Sonstige Sicherung: OK	Sicherung durch Vakuum-Pad: OK	Sonstige Sicherung: OK
Schlamming*	OK		OK	
Dichtscheibe*	OK		OK	
Gummischeibe, Teilenummer 598 72 14-01	OK		OK	
* Weitere Informationen erhalten Sie von Ihrer lokalen Servicewerkstatt				

Service

Anerkanntes Service-Zentrum

Um ein anerkanntes Husqvarna Construction Products-Service-Zentrum in Ihrer Nähe zu finden, besuchen Sie die Website www.husqvarnacp.com.

EU-Konformitätserklärung

EU-Konformitätserklärung

Die **Husqvarna AB**, SE-561 82 Huskvarna, Schweden,
Tel.: +46-36-146500, erklärt in alleiniger Verantwortung,
dass das Gerät:

Beschreibung	Transportabler Diamantkernbohrer
Marke	Husqvarna
Typ/Modell	DM400, DM430
Identifizierung	Seriennummern ab 2019

die folgenden EU-Richtlinien und -Vorschriften erfüllt:

Richtlinie/Vorschrift	Beschreibung
2006/42/EC	„Maschinenrichtlinie“
2014/53/EU	„zu Funkanlagen“

und dass die folgenden harmonisierten Normen und/
oder technischen Daten angewendet werden;

EN ISO 12100:2010

EN 62841-1:2014

EN 62841-3-6:2014+A11:2017

EN 55014-1:2017

EN 55014-2:2015

EN 61000-3-2:2014

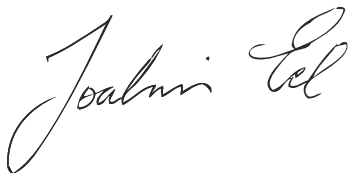
EN 61000-3-3:2013

ETSI EN 300 328 V2.1.1

ETSI EN 301 489-1 V2.2.0

ETSI EN 301 489-17 V3.2.0

Partille, 2019-12-08



Joakim Ed

Vice President, Concrete Sawing, Drilling & Light
Demolition

Husqvarna AB, Construction Division

Verantwortlich für die technische Dokumentation

Eingetragene Marken

Die *Bluetooth*[®]-Wortmarke und die Logos sind eingetragene Marken von *Bluetooth SIG, inc.* und die Verwendung dieser Marken durch Husqvarna erfolgt unter Lizenz.

Sisältö

Johdanto.....	57	Kuljetus ja säilytys.....	67
Turvallisuus.....	58	Tekniset tiedot.....	69
Asentaminen.....	62	Tarvikkeet.....	71
Käyttö.....	63	Huolto.....	71
Huolto.....	65	EY-vaatimustenmukaisuusvakuutus.....	72
Vianmääritys.....	66	Rekisteröidyt tavaramerkit.....	73

Johdanto

Tuotekuvaus

Tämä Husqvarna-porakone on siirrettävä timanttipora, jota käytetään hyväksytyin poratelineen kanssa.

Timanttipora on onttopora, jossa on timanttisegmenttejä. Vesi virtaa palloventtiiliin, letkun ja timanttiporanterän läpi. Vesi huuhtelee poratun materiaalin pois urasta ja alentaa poranterän lämpötilaa.

Tässä tuotteessa on Smartstart™. Katso kohta *Smartstart™-toiminnon käyttö sivulla 63*.

Joissakin tämän tuotteen malleissa on sisäinen liitettävyyssmahdollisuus. Katso kohta *Sisäinen liitettävyyss sivulla 57*.

Sisäinen liitettävyyss

Husqvarna Fleet Services™ on pilvipohjainen resurssien hallintaratkaisu, joka tarjoaa kalustovastaavalle yleiskuvan kaikista kiinteiden tai jälkiasennettujen sensorien kautta liitetystä tuotteista. Yhdyskävävän tai älypuhelimien sijainnin avulla voidaan osoittaa liitettyjen laitteiden sijainti. Sensorit tallentavat tietoja esimerkiksi

käyttäjistä ja huoltoväleistä. Saat lisätietoja pilvipohjaisesta Husqvarna Fleet Services™ -hallintaratkaisusta lataamalla iOS- tai Android-sovelluksen Husqvarna Fleet Services osoitteessa <https://apps.apple.com/se/app/husqvarna-fleet-services/id1334672726> tai <https://play.google.com/store/apps/details?id=com.husqvarna.hfsmobile&hl=en>.

Jotkin tämän tuotteen tyyppi yhdistetään sisäisellä Husqvarna Fleet Services™-sensorilla, jossa on Bluetooth Low Energy (BLE) -toiminto. Lisätietoja sen käyttämisestä on kohdassa *Sisäisen liitettävyyden käyttäminen sivulla 63*. Lisätietoja BLE-tekniikan radiotaajuusspektristä on kohdassa *Sisäinen liitettävyyss sivulla 70*.

Käyttötarkoitus

Laitteella voidaan porata betonia, kiveä, asfalttia ja muurausta. Kaikki muu käyttö on laitteen väärinkäyttöä.

Laitteella tarkoitettu kokoneiden käyttäjien käyttöön teollisuudessa.

Laitteen kuvaus

(Kuva 1)

1. Poran kara
2. Pikairrotusrengas
3. Vuotoaukko
4. Gardena-uroslititin ja vesiventtiili
5. Vaihteen valitsin
6. Virtakytkin
7. Kahva
8. Smartstart™
9. Antotehon ilmaisevat merkkivalot
10. Sähkökotelo
11. Husqvarna-poratelineen asennuslevy
12. PRCD

13. Vesiliitäntä
14. Avain
15. Käyttöohjekirja

Laitteen symbolit

(Kuva 2) VAROITUS! Tämä laite voi olla vaarallinen ja aiheuttaa käyttäjälle tai sivullisille vakavia vahinkoja tai kuoleman. Ole varovainen ja käytä laitetta oikein.

(Kuva 3) Lue käyttöohje huolellisesti ja varmista, että ymmärrät sen sisällön, ennen kuin alat käyttää tätä konetta.

(Kuva 4) Käytä aina hyväksyttyä henkilökohtaista suojavarustusta. Katso *Henkilökohtainen suojavarustus sivulla 61*.

Huomautus: Tässä oppaassa vikavirtasuojakytkimestä ja maavuotokatkaisimesta käytetään termiä PRCD.

- (Kuva 5) Tämä tuote täyttää voimassa olevien EU-direktiivien vaatimukset.
- (Kuva 6) **Ympäristömerkintä.** Laitetta tai sen pakkausta ei saa hävittää kotitalousjätteen mukana. Vie se asianmukaiseen sähkö- ja elektroniikkalaitteiden keräyspisteeseen.
- (Kuva 7) Varmista, että laitteeseen ei pääse vuotamaan vettä, kun poraat kattoon. Käytä sopivaa vedenkerääjää.

Huomautus: Muita tuotteen tunnuksia/arroja tarvitaan joillakin markkina-alueilla ilmaisemaan erityisiä sertifiointivaatimuksia.

Turvallisuus

Turvallisuusmääritelmät

Varoituksia, huomioita ja huomautuksia käytetään, kun jotakin käyttöohjeen osaa halutaan erityisesti korostaa.



VAROITUS: Tätä käytetään, jos käyttöohjeen noudattamatta jättämisestä voi seurata käyttäjän tai sivullisen vamma tai kuolema.



HUOMAUTUS: Tätä käytetään, jos käyttöohjeen noudattamatta jättämisestä voi seurata koneen, muiden materiaalien tai ympäristön vaurioituminen.

Huomautus: Tätä käytetään tietyissä tilanteissa tarvittavien lisätietojen antamiseen.

Yleiset sähkötyökaluja koskevat varoitukset



VAROITUS: Lue kaikki tämän sähkötyökalun mukana tulevat turvavaroitukset, ohjeet, kuvat ja tekniset tiedot. Alla olevien ohjeiden noudattamatta jättäminen voi johtaa sähköiskuun, tulipaloon ja/tai vakavaan tapaturmaan.

Säästä kaikki varoitukset ja ohjeet tulevaa käyttöä varten. Varoituksissa termillä "sähkötyökalu" tarkoitetaan verkkosähköllä toimivaa (johdollista) sähkötyökalua tai akkukäyttöistä (johdotonta) sähkötyökalua.

Työalueen turvallisuus

- Pidä työalue siistinä ja hyvin valaistuna. Sotkuiset tai hämärät alueet ovat alttiita onnettomuuksille.
- Älä käytä sähkötyökaluja räjähdysherkässä ympäristössä, esimerkiksi herkästi syttyvien nesteiden, kaasujen tai pölyn läheisyydessä.

Tuotevastuu

Tuotevastuulain mukaisesti emme ole vastuussa tuotteen aiheuttamasta vaurioista, jos

- tuote on korjattu virheellisesti
- tuotteen korjaamiseen on käytetty muita kuin valmistajan omia tai sen hyväksymiä osia
- tuotteessa on muu kuin valmistajan oma tai sen hyväksymä lisävaruste
- tuotetta ei ole korjattu valtuutetussa huoltopisteessä tai hyväksytyllä asiantuntijalla.

Sähkötyökaluista lähtevät kipinät voivat sytyttää pölyn tai kaasut.

- **Pidä lapset ja sivulliset poissa, kun käytät sähkötyökalua.** Häiriöt voivat saada sinut menettämään työkalun hallinnan.

Sähköturvallisuus

- **Sähkötyökalun pistokkeen on sovittava pistorasiaan. Älä koskaan muuta pistoketta millään tavoin. Älä käytä mitään pistokesovittimia maadoitettujen sähkötyökalujen kanssa.** Muuttamattomat pistokkeet ja sopivat pistorasiat vähentävät sähköiskun vaaraa.
- **Varo koskettamasta maadoitettuja pintoja, kuten putkia, pattereita, liesiä ja jääkaappeja.** Sähköiskun riski kasvaa, jos käyttäjän keho on maadoitettu.
- **Älä altista sähkötyökaluja sateelle tai märille olosuhteille.** Sähkötyökaluun päässyt vesi lisää sähköiskun riskiä.
- **Älä vahingoita johtoa. Älä koskaan käytä johtoa kantamiseen, vetämiseen tai pistokkeen irrottamiseen pistorasiasta. Pidä johto etäällä kuumuudesta, öljystä, terävistä reunoina tai liikkuvista osista.** Vialliset tai solmussa olevat johdot lisäävät sähköiskuvaaraa.
- **Kun käytät sähkötyökalua ulkona, käytä ulkotiloihin sopivaa jatkojohtoa.** Ulkokäyttöön sopivan johdon käyttäminen vähentää sähköiskuvaaraa.
- **Mikäli sähkötyökalun käyttämistä kosteassa ei voida välttää, käytä virtalähdettä, jossa on vikavirtasuojajytkim (RCD).** Vikavirtasuojajytkimen käyttö vähentää sähköiskun vaaraa.

Henkilökohtainen turvallisuus

- **Pysy valppaana, katso mitä teet ja käytä tervettä järkeä käyttäessäsi sähkötyökalua. Älä käytä sähkötyökalua väsyneenä tai alkoholin, huumeiden tai lääkityksen vaikutuksen alaisena.** Hetken epähuomio sähkötyökaluja käytettäessä voi johtaa vakavaan henkilövahinkoon.

- **Käytä henkilökohtaisia suojarusteita. Pidä aina silmäsuojia.** Hengityssuojain, luistamattomat turvakengät, kypärä, kuulosuojaimet ja muut suojaruusteet niitä vaativissa oloissa käytettyinä vähentävät henkilövahinkoja.
- **Estä tahaton käynnistys. Varmista, että katkaisin on OFF-asennossa ennen virtalähteen ja/tai akun kytkemistä, työkaluun tarttumista tai sen kantamista.** Sähkötyökalujen kantaminen sormi katkaisijalla tai niiden kytkeminen sähköverkkoon tai akkuun katkaisimien ollessa päällä altistaa onnettomuuksille.
- **Irrota mahdolliset säätöavaimet ennen virran kytkemistä sähkötyökaluun.** Sähkötyökalun pyöryvään osaan kiinnitetty avain voi aiheuttaa henkilövahingon.
- **Älä kurota. Säilytä aina tukeva asento ja tasapaino.** Tämä mahdollistaa sähkötyökalun paremman hallinnan odottamattomissa tilanteissa.
- **Pukeudu oikein. Älä käytä löysästi istuvia vaatteita tai koruja. Pidä hiukset ja vaatteet etäällä liikkuvista osista.** Löysät vaatteet, korut tai pitkät hiukset voivat tarttua liikkuviin osiin.
- **Jos käytettävissä on kytkentämahdollisuus pölynpoistojärjestelmälle, varmista, että se kytketään ja että sitä käytetään oikein.** Pölynpoistojärjestelmän käyttö voi vähentää pölyyn liittyviä riskejä.
- **Vaikka olisit käyttänyt työkaluja usein ja tuntisit ne hyvin, muista aina ottaa huomioon työkalun turvamääräykset.** Huolimaton toiminta voi aiheuttaa vakavia vahinkoja sekunnin murto-osassa.

Sähkötyökalujen käyttö ja huolto

- **Älä pakota sähkötyökalua. Käytä käyttötarkoitukseen sopivaa sähkötyökalua.** Oikea sähkötyökalu tekee työn paremmin ja turvallisemmin nopeudella, jota varten se on suunniteltu.
- **Älä käytä sähkötyökalua, jos virtaa ei voi kytkeä ja katkaista virtakatkaisimella.** Mikä tahansa sähkötyökalu, jota ei voi hallita katkaisimella, on vaarallinen, ja se pitää korjata.
- **Irrota pistoke pistorasiasta ja/tai akku sähkötyökalusta, mikäli mahdollista, ennen kuin teet mitään säätöjä, vaihdat lisävarusteita tai varastoit sähkötyökalun.** Sellaiset varotoimet vähentävät riskiä, että sähkötyökalu käynnistetään vahingossa.
- **Varastoit käyttämättömät sähkötyökalut pois lasten ulottuvilta, äläkä anna henkilöiden, jotka eivät tunne sähkötyökalua tai näitä ohjeita, käyttää sähkötyökalua.** Sähkötyökalut ovat vaarallisia kouluttamattomien käyttäjien käsissä.
- **Huolla sähkötyökaluja ja lisävarusteita. Tarkista, etteivät liikkuvat osat ole väärin suunnattuja tai tarttuvia, ettei mikään osa ole murtunut sekä kaikki muut tekijät, jotka voivat vaikuttaa sähkötyökalun toimintaan. Jos sähkötyökalu on vahingoittunut, korjauta se ennen käyttöä.** Monet onnettomuudet johtuvat huonosti huolletuista sähkötyökaluista.
- **Pidä leikkaustyökalut terävinä ja puhtaina.** Oikein huolletut leikkaustyökalut, joiden leikkausreunat ovat

terävät, eivät juutu kiinni niin helposti ja ovat helpommin hallittavissa.

- **Käytä sähkötyökalua, lisävarusteita, teriä jne. näiden ohjeiden mukaisesti ottaen huomioon työskentelyolosuhteet ja suoritettavan työn laadun.** Sähkötyökalun käyttäminen ennakoituista poikkeavissa olosuhteissa voi johtaa vaaratilanteeseen.
- **Pidä kahvat ja tarttumapinnat kuivina, puhtaina ja öljyttöminä sekä puhtaana vasellinista.** Liukkaat kahvat ja tarttumapinnat eivät mahdollista työkalun turvallista käsittelyä ja hallintaa odottamattomissa tilanteissa.

Huolto

- **Anna sähkötyökalun korjaaminen pätevän korjaajan tehtäväksi, joka käyttää vain täysin samanlaisia vaihto-osia.** Tämä varmistaa, että sähkötyökalu säilyy turvallisena käyttäjä.

Timanttikorvan turvavaroitukset

- **Kun porattaessa on käytettävä vettä, ohjaa vesi pois päin käyttäjän työskentelyalueelta tai käytä nesteen keräävää laitetta.** Varotoimenpiteet pitävät työskentelyalueen kuivana ja vähentävät sähköiskun vaaraa.
- **Pitele sähkötyökalua vain eristetystä tarttumapinnasta, jos työn aikana on mahdollista, että leikkuuterä osuu piliotettuihin johtoihin.** Jos leikkuulaite koskettaa jännitteistä johtoa, sähkötyökalun suojaamattomat metallipinnat saattavat tulla jännitteisiksi ja aiheuttaa käyttäjälle sähköiskun.
- **Käytä kuulosuojaimia timanttikorvauksen aikana.** Melulle altistuminen voi aiheuttaa kuulovaurioita.
- **Jos terä juuttuu, lopeta työn painaminen ja katkaise työkalusta virta.** Tutki terän juuttumisen syy ja poista se asianmukaisilla toimenpiteillä.
- **Tarkista ennen timanttikorvauksen aloittamista uudelleen, että terä pyörii vapaasti.** Jos terä on juuttunut, se ei ehkä käynnisty, saattaa kuormittaa työkalua liikaa tai saada timanttikorvan irtoamaan työkalupaleesta.
- **Varmista kiinnittäessäsi poratelineitä ankkureilla kiinnikkeillä työkalupaleeseen, että ankkurointi pitää laitteen paikallaan käytön aikana.** Jos työkalupale on heikko tai huokoinen, ankkuri voi irrota ja porateline lähteä irti työkalupaleesta.
- **Kun kiinnität poratelineen imukupilla työkalupaleeseen, asenna imukuppi sileälle, puhtaalle ja ei-huokoiselle pinnalle.** Imukuppi ei saa kiinnittää laminoituille pinnoille, kuten laatta- tai komposiittipinnoille. Jos työkalupale ei ole sileä, tasainen tai hyvin kiinnitetty, imukuppi voi irrota työkalupaleesta.
- **Varmista riittävä alipaine ennen porausta ja sen aikana.** Jos alipaine ei ole riittävä, imukuppi saattaa irrota työkalupaleesta.

- Pelkällä imukupilla kiinnitetyllä koneella poraaminen on kiellettyä kaikissa muissa tilanteissa, paitsi silloin, kun porataan alaspäin. Jos alipaine katoaa, imukuppi irtaoo työkappaleesta.
- Varmista poratessasi seiniä tai kattoja, että toisella puolella olevat henkilöt ja työskentelyalue on suojattu. Terä voi ulottua reian toiselle puolelle tai betoniydin pudota toiselle puolelle.
- Käytä aina poratessasi suoraan ylöspäin ohjeissa määritettyä nesteen keräävää laitetta. Älä päästä vettä laitteen sisään. Sähkötyökaluun päässyt vesi lisää sähköiskun riskiä.

Käytä aina tervettä järkeä



VAROITUS: Laitteen alkuperäistä rakennetta ei missään tilanteessa saa muokata ilman valmistajan hyväksyntää. Käytä vain alkuperäisiä varaosia. Luvattomien muutosten tekeminen ja/tai luvattomien lisävarusteiden käyttö voi aiheuttaa käyttäjälle tai sivullisille vakavan tapaturman tai kuoleman.



VAROITUS: Hiovien tai materiaalia muokkaavien leikkainten, hiomalaitteiden ja porien kaltaisten laitteiden käyttö voi muodostaa pölyä ja höyryjä, jotka voivat sisältää vaarallisia kemikaaleja. Tarkista käsiteltävän materiaalin ominaisuudet etukäteen ja käytä sopivaa hengityssuojainta.

Yleiset turvaohjeet



VAROITUS: Lue seuraavat varoitusohjeet ennen laitteen käyttämistä.

- Tämä laite on vaarallinen työkalu, jos sitä käytetään huolimattomasti tai väärin. Tämä laite voi aiheuttaa käyttäjälle tai sivullisille vakavia vahinkoja tai kuoleman. On tärkeää, että luet ja ymmärrät tämän käyttöohjeen sisällön ennen laitteen käyttöä.
- Säystä kaikki varoitukset ja ohjeet
- Noudata kaikkia sovellettavia lakeja ja säädöksiä.
- Käyttäjän ja käyttäjän työnantajan on tunnettava laitteen käytön aiheuttamat riskit ja ehkäistävä ne.
- Älä anna kenenkään käyttää tuotetta, jos he eivät ole lukeneet käyttöohjekirjaa ja ymmärtäneet siinä annettuja ohjeita.
- Älä käytä konetta, ellei olet saanut siihen koulutusta. Varmista, että kaikki käyttäjät saavat koulutuksen.
- Älä anna lasten käyttää laitetta.
- Anna vain hyväksytyjen henkilöiden käyttää laitetta.
- Käyttäjä on vastuussa muille henkilöille tai heidän omaisuudelleen aiheutuvista vahingoista.
- Älä käytä tuotetta ollessasi väsynyt tai sairas tai jos olet alkoholin, huumaavien aineiden tai lääkkeiden vaikutuksen alaisena.
- Ole aina varovainen ja käytä tervettä järkeä.
- Laite muodostaa käytön aikana sähkömagneettisen kentän. Kenttä saattaa joissakin olosuhteissa häiritä aktiivisten tai passiivisten lääketieteellisten implanttien toimintaa. Jotta vakavilta vahingoilta tai kuolemalta vältytään, lääkinnällisiä implantteja käyttävien henkilöiden kannattaa keskustella asiasta lääkärin ja lääkinnällisen implantin valmistajan kanssa ennen tämän laitteen käyttämistä.
- Pidä laite puhtaana. Varmista, että tuotteen merkit ja tarrat ovat luettavissa.
- Älä käytä tuotetta, jos se on viallinen.
- Älä tee laitteeseen muutoksia.
- Älä käytä laitetta, jos on olemassa mahdollisuus, että muut ovat tehneet muutoksia siihen.

On mahdotonta kuvata kaikkia mahdollisia tilanteita, joita laitteen käytössä voi ilmetä. Ole aina varovainen ja käytä tervettä järkeä. Vältä tilanteita, mihin et katso taitosi riittävän. Mikäli olet vielä näiden ohjeiden lukemisen jälkeen epävarma menettelytavoista, sinun on kysyttävä neuvoa asiantuntijalta ennen jatkamista.

Älä epäröi yhteyttää Husqvarna-jälleenmyyjäsi, mikäli sinulla on vielä kysyttävää laitteen käytöstä. Olemme mielellämme avuksi ja annamme neuvoja, joiden avulla voit käyttää laitetta tehokkaammin ja turvallisemmin.

Anna Husqvarna-jälleenmyyjän tarkastaa laite säännöllisesti ja tarvittaessa säätää ja korjata se.

Husqvarna Construction Products pyrkii jatkuvasti parantamaan tuotteittensa rakennetta. Sen vuoksi Husqvarna pitää itseen oikeuden rakennemuutoksiin ilman ennakoilmoitusta ja muita velvoitteita.

Kaikki tämän käyttöohjeen tiedot olivat voimassa silloin, kun tämä käyttöohje hyväksyttiin painettavaksi.

Turvallisuusohjeet käyttöä varten



VAROITUS: Lue seuraavat varoitusohjeet ennen laitteen käyttämistä.

- Älä käytä laitetta, jos et voi saada apua onnettomuuden sattuessa.
- Älä käytä laitetta huonolla säällä (kuten sumussa, sateessa, kovassa tuulessa, ankarassa pakkasessa tai muissa hankalissa sääolosuhteissa). Huono sää voi aiheuttaa vaaratilanteita kuten liukastumisvaaran.
- Varo henkilöitä, esineitä ja tilanteita, jotka voivat estää laitteen turvallisen käytön.
- Käytä aina sopivaa astiaa veden keräämiseen, kun pora osoittaa ylöspäin käytön aikana.

- Kiinnitä laite aina asianmukaiseen poratelineeseen ennen käyttöä. Katso kohta *Tarvikkeet sivulla 71*.
- Opettele pysäyttämään moottori nopeasti hätätilassa.
- Varmista, ettei porausalueelle ole vedetty putkia eikä sähköjohtoja.
- Jos laite ei toimi oikein, sammuta moottori.
- Varmista, että olet turvallisessa ja tukevassa työskentelyasennossa käytön aikana.
- Pysy loitolla poranterästä, kun moottori on käynnissä.
- Älä poistu laitteen luota, kun moottori on käynnissä.
- Irrota virtajohto aina ennen kuin poistut laitteen luota.
- Pidä kaikki osat hyväkuntoisina ja varmista, että kaikki kiinnikkeet ovat kunnolla kiinni.
- Jos laitteessa ilmenee tärinää tai sen melutaso on poikkeuksellisen korkea, pysäytä laite välittömästi. Tarkista laite vaurioiden varalta. Korjaa vauriot tai teetä korjaustyöt valtuutetussa huoltoliikkeessä.
- Käytä aina hyväksytyjä lisävarusteita. Lisätietoja saat jälleenmyyjältä.

Henkilökohtainen suojarustus



VAROITUS: Lue seuraavat varoitusohjeet ennen laitteen käyttämistä.

- Käytä aina oikeanlaista henkilökohtaista suojarustusta, kun käytät laitetta. Henkilökohtainen suojarustus ei poista tapaturmien vaaraa. Henkilökohtainen suojarustus lieventää vammaa, jos sattuu onnettomuus. Anna jälleenmyyjän auttaa oikeiden varusteiden valinnassa.
- Käytä hyväksytyjä silmäsuojaimia, kun käytät laitetta.
- Älä käytä liian löysiä, raskaita tai työhön sopimattomia vaatteita. Käytä vaatteita, joissa pääset liikkumaan vapaasti.
- Käytä hyväksytyjä suojakäsineitä, joiden avulla saat tukevan otteen.
- Voit estää määrän betonin aiheuttamaa ihoärsytystä käyttämällä kumisia suojakäsineitä.
- Käytä hyväksytyjä suojakypäriä.
- Käytä aina hyväksytyjä kuulosuojaimia, kun käytät laitetta. Pitkäkestoinen melulle altistuminen voi aiheuttaa kuulovaurioita.
- Kone muodostaa pölyä ja höyryä, jotka sisältävät haitallisia kemikaaleja. Käytä hyväksytyjä hengityssuojainta.
- Käytä teräksisellä varvasuojalla ja luistamattomalla pohjalla varustettuja saappaita.
- Varmista, että lähistöllä on ensiapupakkaus.
- Laitetta käytettäessä voi syntyä kipinöitä. Varmista, että lähistöllä on palonsammutin.

Tuotteen turvalaitteet



VAROITUS: Lue seuraavat varoitusohjeet ennen laitteen käyttämistä.

- Älä koskaan käytä tuotetta, jonka turvalaitteet ovat vialliset. Jos tuotteessasi ilmenee tarkastettaessa puutteita, se on toimitettava huoltooliikkeeseen korjattavaksi.
- Älä käytä konetta, jos jotkin suojailevat, suojakansista, turvakytkimistä tai muista suojalaitteista eivät ole paikoillaan tai ne ovat viallisia.

Moottorin ylikuormitusuoja, Elgard™

Moottorin ylikuormitusuoja kytketty, jos moottorin kuormitus on liian suuri tai jos poranterä ei liiku vapaasti.

Moottorin ylikuormitusuoja vähentää ja lisää moottorin tehoa lyhyin välein muuttaman sekunnin ajan. Jos voimaa ei tällöin vähennetä, moottori pysähtyy. Katso kohta *Moottorin ylikuormitusuojan nollaaminen sivulla 64*.

Kuormituksen ilmaisin



HUOMAUTUS: Tuotteen jatkuva ylikuormitus voi vaurioittaa laitetta.

Laitteessa on LED-merkkivalot, jotka ilmaisevat moottorin kuormituksen. Katso kohta *Merkkivalojen selitykset sivulla 70*.

PRCD



VAROITUS: Ei koske Isossa-Britanniassa ja Irlannissa myytävää 110 V:n mallia. Iso-Britannia ja Irlanti: Älä käytä 110 V:n mallia ilman eristysmuuntajaa. Katso EN/IEC 61558-1 ja EN/IEC 61558-2-23. Eristysmuuntajassa on oltava maadoitusjohto toisiokäähin puolella.



VAROITUS: Älä upota PRCD-vikavirtasuojakytkintä veteen.



VAROITUS: Tarkista PRCD-vikavirtasuojakytkin aina ennen laitteen käyttöä. Katso kohta *PRCD-vikavirtasuojakytkimen tarkistaminen sivulla 62*.

Laitteen virtajohtoon on asennettu PRCD-vikavirtasuojakytkin. Laitetta ja käyttäjää suojaava PRCD-vikavirtasuojakytkin kytketty, jos laitteessa tapahtuu sähkövika. Lisätietoja siitä, millä virralla PRCD-

vikavirtasuojakytkin kytkeytyy, on kohdassa *Tekniset tiedot sivulla 69*.

Punainen valo ilmaisee, että PRCD-vikavirtasuojakytkin on käytössä ja että laitteen voi käynnistää. Jos punainen valo ei pala, paina RESET-painiketta.

(Kuva 8)

PRCD-vikavirtasuojakytkimen tarkistaminen



VAROITUS: Ei koske Isonsa-Britanniassa ja Irlannissa myytävää 110 V:n mallia. Katso kohta *PRCD sivulla 61*.



VAROITUS: PRCD-vikavirtasuojakytkin on tarkistettava aina, kun virtapistoke liitetään pistorasiaan.



VAROITUS: Jos PRCD-vikavirtasuojaa on korjattava, ota aina yhteys valtuutettuun Husqvarna -huoltoliikkeeseen.

1. Liitä laitteen virtapistoke pistorasiaan.
2. Paina RESET-painiketta. Painikkeen yllä oleva merkivalo palaa punaisena, kun virta on kytketty.
3. Käynnistä laite, katso *Laitteen käynnistäminen sivulla 64*.
4. Paina TEST-painiketta. Jos laite pysähtyy, PRCD-vikavirtasuojakytkin toimii oikein. (Kuva 9)

Virtakytkin

Virtakytkintä käytetään koneen käynnistämiseen ja sammuttamiseen.

(Kuva 10)

Virtakytkimen tarkistaminen

1. Liitä laitteen virtapistoke verkkovirtaan.

2. Käynnistä laite kääntämällä virtakytkin asentoon 1.
3. Pysäytä laite kääntämällä virtakytkin asentoon 0.

Kitkakytkin

Kitkakytkin on integroitu koneen vaihteistoon. Se estää laitteen vahingoittumisen, jos poranterä pysähtyy käytön aikana. Jos kuormitus on liian suuri, kitkakytkin vapautuu ja pysäyttää poran karan, mutta pitää moottorin käynnissä muutaman sekunnin ajan. Kitkakytkin kytkeytyy uudelleen, jos kuormitus laskee ja käyttöä voidaan jatkaa. Jos poranterä juuttuu materiaaliin ja pysähtyy kokonaan, kitkakytkin pysäyttää moottorin välittömästi.



HUOMAUTUS: Varmista, että kytkimen vapautumisaika ei ole yli 3–4 sekuntia, sillä muuten kuluminen lisääntyy ja lämpötila kasvaa nopeasti.

Turvallisuusohjeet huoltoa varten



VAROITUS: Tarkastus ja/tai kunnossapito on tehtävä moottori sammutettuna ja pistoke pistorasiasta irrotettuna.

- Huolla sähkötyökaluja ja lisävarusteita. Tarkista, etteivät liikkuvat osat ole pois kohdaltaan tai juuttuneet, että mikään osa ei ole rikkoutunut ja että mikään muu olosuhde ei vaikuta sähkötyökalun toimintaan. Jos sähkötyökalu on vahingoittunut, korjauta se ennen käyttöä. Monet onnettomuudet johtuvat huonosti huolletuista sähkötyökaluista.
- Pidä leikkaustyökalut terävinä ja puhtaina. Oikein huolletut leikkaustyökalut, joiden leikkausreunat ovat terävät, eivät juutu kiinni niin helposti ja ovat helpommin hallittavissa.
- Anna sähkötyökalun huoltotyöt pätevän korjaajan tehtäväksi, joka käyttää vain täysin samanlaisia vaihto-osia. Tämä varmistaa, että sähkötyökalu säilyy turvallisena käyttöä.

Asentaminen

Johdanto



VAROITUS: Lue ja sisäistä turvallisuutta käsittelevä luku ennen laitteen asentamista.



VAROITUS: Irrota virtajohto ja poranterä ennen asennusta vammojen välttämiseksi.

Laitteen kiinnittäminen poratelineeseen



HUOMAUTUS: Lue poratelineen käyttöohje huolellisesti.

- Kiinnitä laite poratelineeseen poratelineen käyttöohjeen mukaisesti.
- Käytä ainoastaan hyväksytyjä Husqvarna-poratelineitä. Katso kohta *Tarvikkeet sivulla 71*.

Käyttö

Toimet ennen koneen käyttämistä

1. Lue käyttöohje huolellisesti ja varmista, että ymmärrät sen sisältämät ohjeet.
2. Lue poratelineen käyttöohje huolellisesti ja varmista, että ymmärrät sen sisältämät ohjeet.
3. Käytä henkilökohtaisia suojavarusteita. Katso *Henkilökohtainen suojavarustus sivulla 61*.
4. Varmista, että verkkopistorasian nimellisjännite on sama kuin laitteen jännite.
5. Varmista, että työskentelyalue on puhdas ja kuiva.
6. Varmista, että laite on asennettu oikein. Poran terä ja porateline on oltava kunnolla kiinni. (Kuva 11)
7. Kun poraat kattoon, varmista, että noudatat asianmukaisia ohjeita. Katso kohta *Laitteen valmistelu kattoon poraamista varten sivulla 63*.
8. Varmista, että vesijärjestelmä ei ole vahingoittunut ja että se on liitetty laitteeseen.
9. Suorita päivittäinen huolto. Katso kohta *Huoltokaavio sivulla 65*.
10. Varmista, että PRCD-vikavirtasuojakytkin käynnistyy. Katso kohdat *PRCD sivulla 61* ja *PRCD-vikavirtasuojakytkimen tarkistaminen sivulla 62*.

Sisäisen liitettävyyden käyttäminen

Huomautus: Tämä osa koskee vain tuotteita, joissa on sisäinen liitettävyydenmahdollisuus.

Huomautus: Bluetooth®-radiolähetys otetaan käyttöön, kun laite kytketään pistorasian ensimmäisen kerran. Sen jälkeen radio pysyy käytössä.

1. Lataa Husqvarna Fleet Services iOS- tai Android-sovellus Husqvarna Fleet Services.
2. Lisätietoja on Husqvarna Fleet Services -sivustossa <https://fleetservices.husqvarna.com>.

Laitteen valmistelu kattoon poraamista varten



VAROITUS: Käytä aina kattoon poratessa lieterengasta, jossa on tiivistelevy ja kumirengas. Laitteeseen pääsevä vesi lisää sähköiskun vaaraa.

1. Puhdista lieterenkaan yläosa. Kaikki rasva ja lika on poistettava.
2. Kiinnitä kaksipuolinen teippi tai suihkuta liimaa lieterenkaan (A) yläaukon ympärille. Aseta tiivistelevy yläaukkoon kanneksi (B). Kiinnitä se tiukasti. (Kuva 12)
3. Katso poran päälle merkityt poran mitat. (Kuva 13)

4. Leikkaa tiivistelevyyn reikä, joka on kooltaan hieman poraa pienempi. (Kuva 14)
5. Kiinnitä kumirengas poran karassa olevaan pikairrotusrenkaaseen. (Kuva 15)
6. Liitä lietteenkerääjä lieterenkaan liitäntään. (Kuva 16)
7. Aseta lieterengas poran karaan (C). Asenna poran terä poran karaan (D). (Kuva 17)
8. Käynnistä lietteenkerääjä.
9. Nosta poran terä kattoon. Kiinnitä lieterengas kattoon. (Kuva 18)

Vedensyötön liittäminen ja avaaminen



HUOMAUTUS: Varmista, että enimmäisvedenpaine ei ole liian korkea. Katso kohta *Tekniset tiedot sivulla 69*.



HUOMAUTUS: Käytä vain puhdasta vettä, jotta lika ei pääse tukkimaan vesijärjestelmää.



HUOMAUTUS: Käytä vain hyväksytyä vedensyöttöliitäntää. Lisätietoja saat jälleenmyyjältä.

1. Liitä palloventtiili vedensyöttöön (A). (Kuva 19)
2. Avaa vesijärjestelmä (B). Aseta vedenpaine siten, että kaikki jäteaines tulee pois porausreiästä.

Moottorin lämpötilan laskeminen

- Käytä laitetta ilman kuormitusta kahden minuutin ajan, jotta moottorin lämpötilan laskee.

Vaihteen vaihtaminen



HUOMAUTUS: Vaihda vaihdetta vain, kun moottori hidastuu tai pysähtyy. Älä vaihda vaihdetta voimakainoin.

- Varmista, että käytät aina poran terän halkaisijan mukaista nopeutta. Katso tuotteen tyyppikilpi tai *Tekniset tiedot sivulla 69*.
- Vaihda vaihdetta kääntämällä vaihteenvalitsinta. (Kuva 20)

Smartstart™-toiminnon käyttö

Smartstart™-toiminto vähentää moottorin nopeutta. Tämä auttaa tekemään aloitusreiän.

1. Käynnistä moottori. Varo, ettei pora kosketa materiaalia.

2. Paina Smartstart™-painiketta (A) kerran. Nopeus laskee ja ensimmäinen vihreä merkkivalo vilkkuu, kun Smartstart™-toiminto on käytössä. (Kuva 21)
3. Poraa aloitusreikä materiaaliin.
4. Paina Smartstart™-painiketta (A) uudelleen. Nopeus kasvaa takaisin normaaliin nopeuteen.

Nopeus kasvaa automaattisesti takaisin normaaliin nopeuteen 1 minuutin kuluttua Smartstart™-toiminnon käynnistämisestä, jos Smartstart™-painiketta (A) ei paineta uudelleen.

Huomautus: Käytä Smartstart™-toimintoa vain reian aloittamiseen. Teho laskee huomattavasti, jos toimintoa käytetään normaalin käytön aikana.

Laitteen käynnistäminen



VAROITUS: Varmista, että poranterä pyörii vapaasti. Se alkaa pyöriä, kun moottori käynnistyy.



VAROITUS: Jos tämä on päivän ensimmäinen kerta, kun laite käynnistetään, tarkista PRCD-vikavirtasuojakytkin. Katso kohta *PRCD-vikavirtasuojakytkimen tarkistaminen sivulla 62*.

1. Paina PRCD-vikavirtasuojakytkimen RESET-painiketta. (Kuva 22)
2. Aseta käyttönopeus kääntämällä poran karaa ja siirtämällä samalla vaihteenvälitsintä. Aseta vaihteenvälitsin oikeaan asentoon käyttöä varten. (Kuva 23)
3. Varmista, että vedensyöttö on auki. (Kuva 24)
4. Siirrä virtakytkin asentoon 1. (Kuva 25)

Laitteen käyttö



VAROITUS: Jos PRCD-vikavirtasuojakytkin kytkeytyy, poista poranterä reiästä ennen kuin painat RESET-painiketta.



VAROITUS: Vaaralliset onnettomuudet ovat mahdollisia, jos betoniydin pysyy poranterässä, kun vedät poranterän ulos reiästä.



VAROITUS: Kun käytät poratelinettä, käytä sähkötyökalua tarttumalla poratelineen eristettyihin tartuntapintoihin.



HUOMAUTUS: Varmista, että esineitä ei pääse osumaan poranterään.



HUOMAUTUS: Älä käytä enempiä voimia kuin on tarpeen. Se vain hidastaa toimintaa ja ylikuormittaa moottoria.

1. Käynnistä moottori. Katso kohta *Laitteen käynnistäminen sivulla 64*.
2. Anna moottorin nopeuden kasvaa enimmäisnopeuteen ennen kuin poranterä koskee pintaan.
3. Paina poranterä pintaan syöttövivulla.
4. Teräsvahvikkeiden läpi porattaessa käytä suurempaa alkupainetta ja pienempää vaihdetta kuin ilman niitä.
5. Pidä paine pienenä aluksi, jotta poranterä pysyy oikeassa paikassa.
6. Varmista käytön aikana, että vesi poistaa kaiken jäteaineksen porareistä. Säädä vedenpainetta tarvittaessa.
7. Pysäytä moottori. Katso kohta *Laitteen pysäyttäminen sivulla 64*.

Laitteen pysäyttäminen



VAROITUS: Poranterä pyörii jonkin aikaa moottorin sammumisen jälkeen. Älä pysäytä poranterää käsin. Seurauksena voi olla henkilövahinko.

1. Pysäytä laite asettamalla virtakytkin asentoon 0. (Kuva 26)
2. Odota, kunnes poranterä on kokonaan pysähtynyt.

Moottorin ylikuormitusuojan nollaaminen

1. Sammuta tuote. Katso kohta *Laitteen pysäyttäminen sivulla 64*.
2. Irrota tukos poranterästä.
3. Käynnistä laite. Katso *Laitteen käynnistäminen sivulla 64*.

Poranterän vaihtaminen



VAROITUS: Irrota pistoke pistorasiasta ennen kuin vaihdat poranterän.

Huomautus: Käytä ainoastaan laitteeseen hyväksytyjä timanttiporanteriä. Lisätietoja saat Husqvarna-jälleenmyyjältä.

1. Varmista, että käytettävissä on uusi poranterä, kaksi avainta ja vedenkestävää vaseliinia.
2. Irrota poranterä avaimilla. (Kuva 27)
3. Voitele työkalun kierre vedenkestävällä rasvalla.
4. Kiinnitä uusi poranterä kiintoavaimilla.

Huolto

Johdanto



VAROITUS: Lue ja sisäistä turvallisuutta käsittelevä luku ennen laitteen huoltamista.




VAROITUS: Irrota virtajohto ennen huoltoa vammojen välttämiseksi.

Huoltokaavio

* = Käyttäjän suorittama yleinen huoltotoimenpide. Tämä käyttöohje ei sisällä ohjeita näitä toimenpiteitä varten.

X = Ohjeet ovat tässä käyttöohjeessa.

O = Ota yhteys Husqvarna-huoltoliikkeeseen.

Huolto	Ennen jokaista käyttöä	Jokaisen käytön jälkeen	Päivittäin	Ensimmäisten 100 käyttötunnin jälkeen	Jokaisen 300 käyttötunnin jälkeen
Varmista, että liikkuvat osat toimivat oikein ja liikkuvat vapaasti.	*				
Varmista, että leikkulaite on terävä ja puhdas.	*				
Varmista, että PRCD-vikavirtasuojakytkin toimii oikein.					
 VAROITUS: Ei koske Isossa-Britanniassa ja Irlannissa myytävää 110 V:n mallia. Katso kohta <i>PRCD sivulla 61</i> .	X				
Tarkista virtajohto, muut kaapelit ja virtapistoke vaurioiden varalta.	*	*			
Varmista, että kahvat ja tarttumapinnat ovat kuivat ja puhtaat eikä niissä ole öljy- tai rasvajälkiä.	*	*			
Tarkista, että laite on puhdas.	X	X			
Tarkista akselin tiivisteet vaurioiden ja vesivuotojen varalta.		X			
Varmista, että kaikki ruuvit ja mutterit on kiristetty.			*		
Varmista, että virtakytkin toimii oikein.			X		
Vaihda vaihteistoöljy.				O	
Tarkista hiiliharjat vaurioiden varalta.					X

Laitteen puhdistaminen



HUOMAUTUS: Varmista, ettei moottoriin tai vaihteistoon pääse vettä.



HUOMAUTUS: Älä käytä juoksevaa vettä, kun puhdistat laitetta.

- Puhdista laite kuivalla tai kostealla liinalla.
- Poista tukokset kaikista ilma-aukoista. Tukkeutunut ilmanottoaukko heikentää koneen suorituskykyä ja voi ylikuumentaa moottorin.
- Puhdista ja voitele kara-akselin kierre.

Timanttioranterän huoltaminen

- Varmista, että timanttityökalujen segmentit ovat teräviä. Teroita tylsät timanttisegmentit SiC-hiomakivellä.

- Varmista, ettei poranterä tärisie. Jos poranterä tärisie, timanttisegmentit voivat irrota.
- Varmista, että timanttisegmentit ovat riittävästi poranteräputken sisä- ja ulkohalkaisijaa suurempia.
- Voitele poranterän kierre vedenkestävällä rasvalla. Tällöin työkalun irrottaminen on helppoa.
- Varmista, että poranterän timanttisegmenttien säteittäinen heitto ei ole yli 1 mm.

Vaihteistoöljyn vaihtaminen



HUOMAUTUS: Jos laitteen vaihteistoöljy vuotaa, pysäytä laite ja ota yhteyttä valtuutettuun huoltoliikkeeseen. Vaihde vaurioituu, jos vaihteistoöljyn määrä ei ole riittävä.

- Anna vaihteistoöljyn vaihto valtuutetun Husqvarna-huoltoliikkeen tehtäväksi.

Vesiliitäntän tarkistaminen



HUOMAUTUS: Jos vesiliitäntärenkaasta vuotaa vettä, akselin tiivisteet on vaihdettava välittömästi.

- Anna vesiliitäntän korjaus valtuutetun Husqvarna-huoltoliikkeen tehtäväksi.

Hiiliharjojen tarkistaminen

1. Irrota hiiliharjojen kannen neljä kiinnitysruuvia. Käytä tasapäistä ruuvimeisseliä. (Kuva 28)
2. Tarkista hiiliharjat. Kuluma-alueen on oltava tasainen ja ehjä.
3. Anna tarvittaessa hiiliharjojen vaihto valtuutetun Husqvarna-huoltoliikkeen tehtäväksi.

Vianmääritys

Vianmäärityskaavio

Jos et löydä ratkaisua ongelmaasi tästä käyttöohjekirjasta, ota yhteyttä Husqvarna-huoltoliikkeeseen.

Vika	Välttämät toimenpiteet	Mahdollinen syy	Ratkaisu
Laite ei käynnisty, kun virtakytkin on asennossa 1.	Siirrä virtakytkin 0-asentoon.	Jos PRCD-vikavirtasuojakytkimessä palaa punainen valo, virta on katkaistu.	Paina vikavirtasuojakytkimen RE-SET-painiketta. Jos PRCD-vikavirtasuojakytkin katkaisee virran uudelleen, ota yhteys valtuutettuun Husqvarna-huoltoliikkeeseen.
Laite pysähtyy.		Virtalähteessä on vika. Elgard katkaisee virran.	Tarkista virtalähde.
		Poranterä jää jumiin. Elgard katkaisee virran.	Käännä poranterää oikealle ja vasemmalle kiintoavaimella. Irrota laite varovasti porausreiästä.
		Liian suuri kuormitus aiheuttaa moottorin ylikuormittumisen. Elgard katkaisee virran.	Varmista, että poranterää on helppo kääntää porausreiässä.
		Jos PRCD-vikavirtasuojakytkimessä palaa punainen valo, virta on katkaistu.	Paina vikavirtasuojakytkimen RE-SET-painiketta. Jos PRCD-vikavirtasuojakytkin katkaisee virran uudelleen, ota yhteys valtuutettuun Husqvarna-huoltoliikkeeseen.
Laite ei jatka pinnasta eteenpäin, nopeus hidastuu ja laite pysähtyy.		Timanttisegmentit ovat tylsät.	Teroita timanttisegmentit SiC-hiomakivellä.
Reijän ympärille kerääntyy tarpeetonta materiaalia käytön aikana.		Vedenpaine on liian pieni.	Suurena vedenpainetta. Katso kohta <i>Tekniset tiedot sivulla 69</i> .
Poranterän timanttisegmentit irtoavat kiinnityksestä.		Laite tärisee huomattavasti käytön aikana.	Käytä laitetta oikeanlaisella kuormituksella.
Vaihteistoöljy vuotaa.		Tiivisteet ovat kuluneet, ja ne on vaihdettava.	Ota yhteyttä valtuutettuun Husqvarna-huoltoliikkeeseen.
Vesiliitännäksenkaassa olevasta reiästä vuotaa vettä.		Akselin tiivisteet ovat vialliset.	Ota yhteyttä valtuutettuun Husqvarna-huoltoliikkeeseen. Käytä aina puhdasta vettä.
Laite ei käy tasaisesti.	Vähennä voimaa.	Liian suuri kuormitus aiheuttaa moottorin ylikuormittumisen.	Käytä poraamisessa vähemmän voimaa.

Kuljetus ja säilytys

- Irrota pistoke pistorasiasta ennen laitteen kuljetusta tai varastointia.
- Säilytä laitetta lukitussa varastossa, jonne lapset ja asiattomat henkilöt eivät pääse.
- Irrota poranterä ennen laitteen kuljetusta tai varastointia. Tämä estää laitetta ja poranteriä vahingoittumasta.
- Säilytä laitetta kuivassa ja pakkaselta suojatussa tilassa.

- Vältä onnettomuudet ja koneen vaurioituminen kiinnittämällä kone turvallisesti kuljetuksen ajaksi.

Tekniset tiedot

Tekniset tiedot

Tiedot	DM400			DM430		
Moottori						
Sähkömoottori	Yksivaiheinen			Yksivaiheinen		
Nimellisjännite, V	100–120, 110, 220–240			100–120, 110, 220–240		
Nimellistoteho, W	3 200			3 200		
Nimellisantoteho, W	2 300			2 300		
Nimellistaajuus, Hz	50–60			50–60		
Nimellisvirta, A						
100-120V (US, JP)	20			20		
110V (Iso-Britannia, Irlanti)	30			30		
220-240V	15			15		
PRCD-virta, A						
100-120V (US, JP)	6 mA			6 mA		
220-240V	10 mA			10 mA		
Poran terä						
Poran enimmäishalkaisija betonissa, mm	350			450		
Poran vähimmäishalkaisija betonissa, mm	55			100		
Paino, kg	13,5			14,2		
Vesijäähdytys						
Vesiliitäntä	Gardena			Gardena		
Enimmäisvedenpaine, bar	3			3		
Työkaluiliitäntä						
Karan kierre, JP/SE/RoW	A-Rod/CRI 28/1 1/4" G			A-Rod/CRI 28/1 1/4" G		
Pöly ja liete						
Poranterän halkaisija lieterenkaan käyttöä varten, mm	50–350			50–350		
Toimintatiedot						
Vaihe	1	2	3	1	2	3
Karan nopeus, joutokäynti, täysi kuorma, r/min	230	460	720	150	300	470

Tiedot	DM400			DM430		
	Karan nopeus, joutokäynti, ei kuorimitusta, r/min	420	820	1 250	250	510
Poran halkaisija betonissa, mm	165–350	80–160	55–105	250–450	125–250	100–160
Suosittelava veden määrä, l/min	1,7–2,4	1,1–1,6	0,9–1,3	2,0–2,5	1,5–2,0	1,2–1,6

Melupäästötiedot

Tiedot	DM400	DM430
Melupäästöt		
Äänenpainetaso, dB(A)	92	92
Äänen tehotaso, L_{WA} dB(A) ⁴	112	112

Sisäinen liitettävyys

Huomautus: Tämä osa koskee vain tuotteita, joissa on sisäinen liitettävyysmahdollisuus.

BLE-tekniikan radiotaajuusspektri	DM400	DM430
Työkalun taajuusalueet, GHz	2,402–2,480	2,402–2,480
Suurin lähetetyn radiotaajuuden teho, dBm/mW	4/2,5	4/2,5

Merkkivalojen selitykset



HUOMAUTUS: Tuotteen jatkuva ylikuormitus voi vaurioittaa laitetta.

Laitteen merkkivalot	Syy	Mahdollinen ratkaisu
1 vihreä merkkivalo.	Työkalu on kytketty verkkovirtaan, ja sitä voi käyttää.	–
	Tehoa on jäljellä alle 50 % enimmäismäärästä.	
2 vihreää merkkivaloa.	Tehoa on jäljellä 50–65 % enimmäismäärästä.	
3 vihreää merkkivaloa.	Tehoa on jäljellä 65–80 % enimmäismäärästä.	
3 vihreää merkkivaloa ja 1 keltainen merkkivalo.	Maksimiteho. Tehoa on jäljellä yli 80 % enimmäismäärästä.	
3 vihreää merkkivaloa, 1 keltainen merkkivalo ja 1 punainen merkkivalo.	Järjestelmä on ylikuormittunut.	Vähennä kuormitusta, jotta moottorin Elgard™-ylikuormitussuojaus ei käynnisty.

⁴ Melupäästöt ympäristöön äänentehona EN 62841-3-6 -standardin mukaisesti mitattuna. Mittauksen odotettu epävarmuus 3 dB(A).

Laitteen merkkivalot	Syy	Mahdollinen ratkaisu
Kaikki merkkivalot vilkkuvat.	Moottorin Elgard™-ylikuormitus suojaus on käynnistynyt.	Vähennä kuormitusta, jotta järjestelmä palaa normaaliin toimintaan.
	Moottorin Elgard™-ylikuormitus suojaus on pysäyttänyt moottorin.	Katso kohta <i>Moottorin ylikuormitus suojan nollaaminen sivulla 64.</i>
1 vihreä merkkivalo vilkkuu.	Smartstart™ on käynnistetty.	Katso kohta <i>Smartstart™-toiminnon käyttö sivulla 63.</i>

Tarvikkeet

Tarvikkeet

Varuste	DM400		DM430	
	Kiinnitys imukupilla: OK	Muu kiinnitys: OK	Kiinnitys imukupilla: OK	Muu kiinnitys: OK
Porateline DS 500				
Lieterengas*	OK		OK	
Tiivistelevy*	OK		OK	
Kumirengas, osanumero 598 72 14-01	OK		OK	
* Lisätietoja saat paikallisesta huoltoliikkeestä				

Huolto

Hyväksytty huoltokeskus

Lähimmän hyväksytyt Husqvarna Construction Products -huoltokeskuksen löydät sivustosta www.husqvarnacp.com.

EY-vaatimustenmukaisuusvakuutus

EU-vaatimustenmukaisuusvakuutus

Husqvarna AB, SE-561 82 Huskvarna, Ruotsi, puh. +46
36 146500, vakuuttaa täten, että tuote:

Kuvaus	Siirrettävä timanttiporakone
Tuotemerkki	Husqvarna
Tyyppi/malli	DM400, DM430
Tunnusmerkit	Sarjanumerot vuodesta 2019 alkaen

vastaa täysin seuraavien EU:n direktiivien ja asetusten vaatimuksia:

Direktiivi/asetus	Kuvaus
2006/42/EC	"konedirektiivi"
2014/53/EU	"radiolaitteita koskeva direktiivi"

ja että asiassa sovelletaan seuraavia yhtenäistettyjä standardeja ja/tai teknisiä tietoja:

EN ISO 12100:2010

EN 62841-1:2014

EN 62841-3-6:2014+A11:2017

EN 55014-1:2017

EN 55014-2:2015

EN 61000-3-2:2014

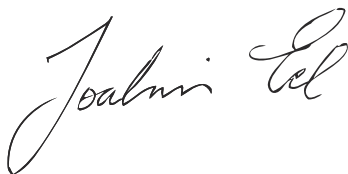
EN 61000-3-3:2013

ETSI EN 300 328 V2.1.1

ETSI EN 301 489-1 V2.2.0

ETSI EN 301 489-17 V3.2.0

Partille, 2019-12-08



Joakim Ed

Apulaisjohtaja, Concrete Sawing, Drilling & Light
Demolition

Husqvarna AB, Construction Division

Teknisestä dokumentaatiosta vastaava edustaja

Rekisteröidyt tavaramerkit

Bluetooth[®]-sanamerkki ja -logot ovat *Bluetooth SIG, inc.* :n omistamia rekisteröityjä tavaramerkkejä.
Husqvarna käyttää kyseisiä merkkejä luvanvaraisesti.

Sommaire

Introduction.....	74	Transport et stockage.....	86
Sécurité.....	75	Caractéristiques techniques.....	87
Montage.....	80	Accessoires.....	89
Utilisation.....	80	Entretien.....	90
Entretien.....	83	Déclaration de conformité CE.....	91
Dépannage.....	84	Marques déposées.....	92

Introduction

Description du produit

Ce moteur de forage Husqvarna est une foreuse diamantée transportable à utiliser avec un support de forage homologué.

Le foret diamanté est un foret creux pourvu de segments en diamant. L'eau traverse la soupape à bille, le tuyau et le foret diamanté. L'eau chasse les débris des fentes et fait baisser la température à l'intérieur du foret.

Cet appareil a Smartstart™. Reportez-vous à la section *Pour utiliser Smartstart™ à la page 81*.

Certains modèles de cet appareil bénéficient d'une connectivité intégrée. Reportez-vous à la section *Connectivité intégrée à la page 74*.

Connectivité intégrée

Husqvarna Fleet Services™ est une solution de gestion des actifs dans le cloud qui donne un aperçu de tous les produits connectés via des capteurs intégrés ou en pièce détachée au gestionnaire de flotte. La position de la passerelle ou du smartphone peut être utilisée pour indiquer l'emplacement des produits connectés. Les

Aperçu du produit

(Fig. 1)

1. Broche de forage
2. Rondelle à libération rapide
3. Trou de fuite
4. Raccord mâle Gardena avec valve d'eau
5. Sélecteur de vitesse
6. Interrupteur de marche/arrêt
7. Poignée
8. Smart Start™
9. LED indiquant la puissance de sortie
10. Boîtier électronique
11. Plaque de montage pour support de forage Husqvarna
12. PRCD

capteurs enregistrent les données comme la vitesse d'exécution, les intervalles d'entretien et davantage encore. Pour plus d'informations sur la solution de gestion des actifs dans le cloud Husqvarna Fleet Services™, téléchargez l'application iOS ou Android Husqvarna Fleet Services à l'adresse <https://apps.apple.com/se/app/husqvarna-fleet-services/id1334672726> ou <https://play.google.com/store/apps/details?id=com.husqvarna.hfsmobile&hl=en>.

Certains modèles sont connectés via le capteur Husqvarna Fleet Services™ intégré qui dispose de la fonction Bluetooth Low Energy (BLE). Pour plus d'informations sur son utilisation, reportez-vous à *Pour utiliser la connectivité intégrée à la page 80*. Pour plus d'informations sur le spectre radio de la technologie BLE, reportez-vous à la section *Connectivité intégrée à la page 88*.

Utilisation prévue

Le produit sert à percer le béton, la roche, l'asphalte et la maçonnerie. Il n'est destiné à aucune autre utilisation.

Le produit est utilisé dans des applications industrielles par des opérateurs expérimentés.

Remarque: Dans ce manuel, nous utilisons le terme PRCD pour PRCD et GFCI.

13. Raccord de l'eau
14. Clé
15. Manuel de l'opérateur

Symboles concernant le produit

(Fig. 2) **AVERTISSEMENT !** ce produit peut être dangereux et causer des blessures graves, voire mortelles, à l'opérateur ou à d'autres personnes. Soyez prudent et utilisez le produit correctement.

- (Fig. 3) Lisez le manuel d'utilisation et assurez-vous de bien comprendre les instructions avant d'utiliser ce produit.
- (Fig. 4) Portez toujours un équipement de protection individuel homologué. Reportez-vous à la section *Équipement de protection individuel à la page 78*.
- (Fig. 5) Ce produit est conforme aux directives CE en vigueur.
- (Fig. 6) **Marquage environnemental.** Le produit ou son emballage ne font pas partie des ordures ménagères. Déposez-le dans une déchetterie agréée pour équipements électriques et électroniques.
- (Fig. 7) Assurez-vous que de l'eau ne s'infiltre pas dans le produit lorsque vous percez dans le plafond. Utilisez un collecteur d'eau adapté.

Remarque: les autres symboles/autocollants présents sur le produit concernent des exigences de certification spécifiques à certains marchés.

Responsabilité

Conformément à la loi sur la responsabilité du fait des produits, nous déclinons toute responsabilité pour tout dommage causé par notre produit si :

- le produit n'est pas correctement réparé ;
- le produit est réparé avec des pièces qui ne proviennent pas du fabricant ou qui ne sont pas homologuées par le fabricant ;
- le produit est équipé d'un accessoire qui ne provient pas du fabricant ou qui n'est pas homologué par le fabricant ;
- le produit n'est pas réparé par un centre d'entretien agréé ou par une autorité homologuée.

Sécurité

Définitions de sécurité

Des avertissements, des recommandations et des remarques sont utilisés pour souligner des parties spécialement importantes du manuel.



AVERTISSEMENT: Symbole utilisé en cas de risque de blessures ou de mort pour l'opérateur ou les personnes à proximité si les instructions du manuel ne sont pas respectées.



REMARQUE: Symbole utilisé en cas de risque de dommages pour le produit, d'autres matériaux ou les environs si les instructions du manuel ne sont pas respectées.

Remarque: Symbole utilisé pour donner des informations supplémentaires pour une situation donnée.

Consignes générales de sécurité relatives à l'outil à moteur



AVERTISSEMENT: Lisez l'ensemble des avertissements de sécurité, des consignes, des illustrations et des spécifications fournies avec cet outil électrique. Le non-respect des consignes énumérées ci-dessous peut être à l'origine d'un choc électrique, d'un incendie et/ou de blessures graves.

Conservez toutes ces consignes et instructions pour toute consultation ultérieure. Le terme « outil

électrique » utilisé dans les avertissements fait référence à l'outil branché sur secteur (fil) ou à l'outil alimenté par batterie (sans fil).

Sécurité dans l'espace de travail

- **Maintenez un espace de travail propre et bien éclairé.** Les espaces encombrés ou sombres exposent à des accidents.
- **N'utilisez pas de machines à usiner dans des atmosphères explosives, en présence de liquides, de gaz ou de poussières inflammables par exemple.** Les machines à usiner provoquent des étincelles qui peuvent enflammer la poussière ou les vapeurs.
- **Tenez les enfants et les spectateurs à distance lorsque la machine à usiner est en marche.** Un moment d'inattention peut vous faire perdre le contrôle.

Sécurité électrique

- **Les fiches des machines à usiner doivent être adaptées à la prise. N'apportez jamais de modifications à la fiche. Ne pas utiliser de fiches d'adaptation avec des machines mises à la terre.** Des fiches non modifiées et des prises compatibles réduisent le risque de choc électrique.
- **Évitez tout contact physique avec les surfaces mises à la terre telles que les tuyaux, les radiateurs, les cuisinières et les réfrigérateurs.** Le risque d'électrocution est plus important si le corps est relié à la terre.
- **Ne pas exposer les outils électriques à la pluie ou à l'humidité.** L'infiltration d'eau dans une machine à usiner augmente le risque d'électrocution.
- **Ne malmez pas le cordon. N'utilisez jamais le cordon pour porter, tirer ou débrancher la machine. Maintenez le cordon d'alimentation à l'écart de la**

chaleur, de bords tranchants ou de pièces en mouvement. Les fils endommagés ou emmêlés augmentent le risque de choc électrique.

- **Lorsque vous utilisez un outil électrique à l'extérieur, utilisez une rallonge électrique adaptée à l'usage extérieur.** L'utilisation d'un cordon d'alimentation pour usage extérieur réduit le risque d'électrocution.
- **Si vous n'avez d'autre choix que d'utiliser un outil électrique dans un endroit humide, utilisez une alimentation protégée par un dispositif de courant résiduel (RCD).** L'utilisation d'un RCD réduit le risque de choc électrique.

Sécurité du personnel

- **Restez attentif, regardez ce que vous faites et ayez recours à votre bon sens lorsque vous utilisez un outil électrique. N'utilisez pas d'outil électrique si vous êtes fatigué ou si vous êtes sous l'emprise de drogues, d'alcool ou de médicaments.** Un moment d'inattention pendant l'utilisation des machines à usiner peut entraîner des blessures corporelles graves.
- **Utilisez un équipement de protection personnelle. Travaillez toujours avec des lunettes de protection.** Les équipements de protection tels que le masque anti-poussière, les chaussures de sécurité antidérapantes, le casque ou le protège-oreilles utilisés dans des conditions appropriées réduisent les blessures corporelles.
- **Évitez tout démarrage intempestif. Vérifiez que l'interrupteur est en position d'arrêt avant de brancher l'outil sur l'alimentation et/ou la batterie, de le ramasser ou de le transporter.** Le fait de garder le doigt sur l'interrupteur pendant le transport des outils ou le branchement des machines alors que l'interrupteur est en position ON expose à des accidents.
- **Retirez toute clé ou clavette de calage avant de mettre la machine à usiner sous tension.** Une clé ou une clavette reliée à une pièce mobile de la machine à usiner peut entraîner des blessures corporelles.
- **Ne vous éloignez pas trop. Restez toujours en équilibre et sur vos appuis.** Cela favorise le contrôle de la machine à usiner dans les situations inattendues.
- **Habillez-vous correctement. Ne portez jamais de vêtements amples ou de bijoux. Éloignez vos cheveux et vos vêtements des pièces mobiles.** Les vêtements amples, les bijoux et les cheveux longs peuvent rester coincés dans les pièces mobiles.
- **Si des dispositifs sont fournis pour raccorder des systèmes de collecte et d'extraction de la poussière, vérifiez qu'ils sont correctement branchés et utilisés.** L'utilisation de systèmes de collecte de poussière peut réduire les risques associés à la poussière.
- **La connaissance des outils, acquise par l'usage fréquent de ces derniers, ne doit pas vous dispenser d'être prudent et d'appliquer les principes de sécurité.** Une action inconsidérée peut provoquer de graves blessures en une fraction de seconde.

Utilisation et entretien de la machine à usiner

- **Ne forcez pas sur la machine à usiner. Utilisez la machine à usiner qui convient à l'application.** La machine qui convient réalisera mieux son travail et de façon plus sûre, à la vitesse pour laquelle elle a été conçue.
- **N'utilisez pas la machine à usiner si l'interrupteur ne permet pas la mise sous tension ou l'arrêt.** Toute machine à usiner impossible à commander avec l'interrupteur est dangereuse et doit être réparée.
- **Débranchez la fiche de l'alimentation et/ou retirez la batterie, si celle-ci est amovible, avant de procéder aux réglages, de changer les accessoires ou de stocker un outil électrique.** Ces mesures de sécurité préventive réduisent le risque de mise sous tension accidentelle de la machine à usiner.
- **Rangez les machines à usiner hors de la portée des enfants et ne pas laisser des personnes qui ne connaissent pas la machine ou ces consignes utiliser l'appareil.** Les machines à usiner sont dangereuses si elles sont entre les mains d'utilisateurs non formés.
- **Entretenez les accessoires et outils électriques. Vérifier le mauvais alignement ou la fixation des pièces mobiles, l'éventuelle rupture des pièces ou toute autre condition susceptible d'altérer le fonctionnement de la machine. Si elle est endommagée, la machine à usiner doit être réparée avant toute réutilisation.** De nombreux accidents sont dus à des machines mal entretenues.
- **Maintenez les outils tranchants aiguisés et propres.** Des outils tranchants correctement entretenus avec des bords aiguisés sont moins susceptibles de se coincer et sont plus faciles à contrôler.
- **Utiliser la machine à usiner, les accessoires, les grains, etc. en suivant ces consignes et en tenant compte des conditions de travail et de la tâche à réaliser.** Il est dangereux d'utiliser l'outil électrique pour tout autre usage que celui prévu.
- **Les poignées et les surfaces de maintien doivent toujours être propres, sèches et sans traces d'huile ni de graisse.** Les poignées et les surfaces de maintien glissantes ne permettent pas une manipulation et un contrôle sûrs de l'outil dans des situations inattendues.

Entretien

- **Confiez l'entretien de votre outil électrique à un mécanicien qualifié qui utilisera uniquement des pièces de rechange identiques.** Cela permet de garantir la sécurité de la machine.

Consignes de sécurité relatives au foret diamanté

- **Si vous effectuez un forage qui nécessite l'utilisation d'eau, évacuez l'eau de la zone de travail de l'opérateur ou utilisez un dispositif collecteur de**

liquide. Ces mesures de précaution permettent de garder la zone de travail de l'opérateur sèche et de réduire le risque d'électrocution.

- **Saisissez l'outil électrique par les surfaces de maintien isolées lors d'une opération où l'accessoire de coupe risque de rentrer en contact avec du câblage dissimulé ou son propre cordon.** Si l'accessoire de coupe entre en contact avec un câble sous tension, il risque de mettre sous tension les parties métalliques exposées de l'outil électrique, ce qui pourrait envoyer un choc électrique à l'utilisateur.
- **Portez des protège-oreilles lorsque vous effectuez un forage au diamant.** L'exposition au bruit peut engendrer une perte auditive.
- **Lorsque le foret est coincé, cessez d'exercer une pression vers le bas et arrêtez l'outil.** Identifiez et corrigez la cause du coincement du foret.
- **Lorsque vous redémarrez un foret diamanté dans la pièce, vérifiez que le foret tourne librement avant de commencer.** Un foret coincé peut ne pas démarrer, peut surcharger l'outil ou provoquer le détachement du foret diamanté de la pièce.
- **Lorsque vous fixez le support de forage à la pièce avec des ancrages et attaches, assurez-vous que l'ancrage utilisé est capable de maintenir et de retenir la machine pendant son utilisation.** Si la pièce est peu solide ou poreuse, l'ancrage peut sortir de la pièce, provoquant ainsi le détachement du support de forage.
- **Lors de la fixation du support de forage avec une ventouse à vide sur la pièce, installez la ventouse sur une surface lisse, propre et non poreuse. Ne procédez pas à la fixation sur des surfaces laminées, telles que des dalles ou un revêtement composite.** Si la pièce n'est pas lisse, plate ou bien fixée, la ventouse peut s'écarter de la pièce.
- **Assurez-vous que le vide est suffisant avant et pendant le forage.** Si le vide est insuffisant, la ventouse peut se dégager de la pièce.
- **N'effectuez jamais de forage lorsque la machine est fixée uniquement par la ventouse à vide, sauf si vous effectuez le forage vers le bas.** En cas de perte de vide, la ventouse se dégage de la pièce.
- **Dans le cas d'un forage dans les murs et plafonds, assurez-vous de protéger le personnel et la zone de travail de l'autre côté.** Le foret peut dépasser du trou ou la carotte peut tomber de l'autre côté.
- **Lorsque vous effectuez un forage au plafond, utilisez toujours le dispositif collecteur de liquide spécifié dans les instructions. Ne laissez pas l'eau s'écouler dans l'outil.** L'infiltration d'eau dans l'outil électrique augmente le risque d'électrocution.

Instructions générales de sécurité



AVERTISSEMENT: Lisez les instructions qui suivent avant d'utiliser le produit.

- Ce produit est un outil dangereux si vous ne faites pas attention ou si vous l'utilisez de manière incorrecte. Ce produit peut causer des blessures graves, voire mortelles, à l'opérateur ou à d'autres personnes. Avant d'utiliser le produit, il convient de lire attentivement et de bien comprendre les instructions contenues dans ce manuel de l'opérateur.
- Conservez tous les avertissements de sécurité et toutes les instructions.
- Respectez l'ensemble des lois et réglementations applicables.
- L'opérateur et son employeur doivent connaître et éviter tout risque au cours de l'utilisation du produit.
- Ne laissez personne utiliser le produit avant d'avoir lu et compris le contenu du manuel de l'opérateur.
- N'utilisez pas le produit sauf si vous bénéficiez d'une formation préalable. Assurez-vous que tous les opérateurs suivent une formation.
- Ne laissez pas un enfant utiliser le produit.
- Seules les personnes autorisées peuvent utiliser le produit.
- L'utilisateur est tenu responsable des accidents auxquels il expose autrui ou ses biens.
- N'utilisez jamais l'appareil si vous êtes fatigué ou malade, ou si vous êtes sous l'emprise d'alcool, de drogues ou de médicaments.
- Soyez toujours prudent et utilisez votre bon sens.
- Ce produit génère un champ électromagnétique durant son fonctionnement. Ce champ peut dans certaines circonstances perturber le fonctionnement d'implants médicaux actifs ou passifs. Pour réduire le risque de blessures graves ou mortelles, nous recommandons aux personnes portant des implants médicaux de consulter leur médecin et le fabricant de leur implant avant d'utiliser cet appareil.
- Maintenez le produit propre. Assurez-vous que vous pouvez lire clairement les avertissements et les autocollants.
- N'utilisez pas le produit si celui-ci est défectueux.
- Ne modifiez pas ce produit.
- N'utilisez pas le produit s'il est susceptible d'avoir été modifié par d'autres personnes.

Utilisez toujours votre bon sens



AVERTISSEMENT: Vous ne devez en aucun cas modifier la conception d'origine du produit sans l'approbation du fabricant. Utilisez toujours les pièces de rechange d'origine. Les modifications et/ou accessoires non autorisés peuvent entraîner des blessures très graves, voire mortelles de l'utilisateur ou d'autres personnes présentes.



AVERTISSEMENT: L'utilisation de produits tels que les découpeuses, les meuleuses ou les foreuses pour poncer ou découper un matériau peut produire de la poussière et

des vapeurs susceptibles de contenir des substances chimiques dangereuses. Vérifiez la nature du matériau que vous souhaitez travailler et utilisez un masque respiratoire approprié.

- Assurez-vous qu'aucun tuyau ou câble électrique ne se trouve dans la zone dans laquelle le trou doit être percé.
- Si la machine ne fonctionne pas correctement, arrêtez le moteur.
- Veillez à vous tenir dans une position stable et sûre pendant l'utilisation du produit.
- Tenez-vous à distance du foret lorsque le moteur est allumé.
- Ne vous éloignez pas du produit lorsque le moteur est allumé.
- Débranchez toujours le cordon d'alimentation avant de vous éloigner du produit.
- Assurez-vous que toutes les pièces sont en bon état et que toutes les fixations sont correctement serrées.
- Si des vibrations se produisent dans le produit ou si le niveau sonore du produit est anormalement élevé, arrêtez immédiatement le produit. Vérifiez que le produit n'est pas endommagé. Réparez les éventuels dommages ou demandez à un atelier spécialisé agréé de procéder aux réparations.
- Utilisez uniquement des accessoires homologués. Pour davantage d'informations, contactez votre revendeur.

Il est impossible de prévoir toutes les situations que vous pouvez rencontrer lorsque vous utilisez ce produit. Soyez toujours prudent et utilisez votre bon sens. Évitez les situations que vous n'êtes pas sûr de pouvoir maîtriser. Si, après avoir lu ces instructions, vous n'êtes toujours pas sûr de la procédure à suivre, demandez conseil à un expert avant de poursuivre.

N'hésitez pas à contacter votre revendeur Husqvarna si vous avez des questions sur l'utilisation du produit. Nous sommes à votre disposition et vous conseillerons avec plaisir pour vous aider à utiliser votre produit en toute sécurité et de façon efficace.

Laissez à votre revendeur Husqvarna le soin de contrôler régulièrement le produit et d'effectuer les réglages et les réparations nécessaires.

Husqvarna Construction Products travaille continuellement au développement de ses produits. Husqvarna se réserve le droit de modifier la conception et l'aspect de ses produits sans préavis et sans autres engagements.

Toutes les informations et toutes les données indiquées dans le manuel de l'opérateur étaient valables à la date à laquelle ce manuel a été porté à l'impression.

Instructions de sécurité pour le fonctionnement



AVERTISSEMENT: Lisez les instructions qui suivent avant d'utiliser le produit.

- N'utilisez pas le produit si vous ne pouvez pas être secouru en cas d'accident.
- N'utilisez pas le produit par mauvais temps, par exemple en cas de brouillard, pluie, vents violents, froid intense ou autres conditions climatiques équivalentes. Le mauvais temps peut créer des conditions de travail dangereuses, telles que des surfaces glissantes.
- Identifiez les éventuels personnes, objets et situations susceptibles de nuire à la sécurité du fonctionnement du produit.
- Lorsque le foret pointe vers le haut pendant le fonctionnement, utilisez toujours un récipient adapté pour recueillir l'eau.
- Fixez toujours le produit sur un support de forage adapté avant toute utilisation. Reportez-vous à la section *Accessoires à la page 89*.
- Assurez-vous de toujours pouvoir couper le moteur rapidement en cas d'urgence.

Équipement de protection individuel



AVERTISSEMENT: Lisez les instructions qui suivent avant d'utiliser le produit.

- Utilisez toujours un équipement de protection individuel approprié lorsque vous faites fonctionner le produit. L'équipement de protection individuel n'empêche pas le risque de blessures. L'équipement de protection individuel diminue la gravité des blessures en cas d'accident. Faites appel à votre revendeur pour vous aider à sélectionner l'équipement adéquat.
- Utilisez des protections pour les yeux homologuées pendant que vous utilisez le produit.
- Ne portez pas de vêtements lâches, lourds ou inadaptés. Portez des vêtements qui garantissent votre liberté de mouvement.
- Utilisez des gants de protection homologués qui permettent de tenir fermement des objets.
- Utilisez des gants de protection en caoutchouc afin d'éviter toute irritation de la peau due au béton humide.
- Utilisez un casque de protection homologué.
- Utilisez toujours des protecteurs d'oreille homologués pendant l'utilisation du produit. Une exposition au bruit sur de longues périodes peut provoquer une perte d'audition.
- Le produit génère de la poussière et des fumées qui contiennent des produits chimiques dangereux. Utilisez une protection respiratoire homologuée.
- Utilisez des bottes avec embouts en acier et semelles antidérapantes.

- Assurez-vous de disposer d'une trousse de premiers soins à proximité.
- Des étincelles peuvent se produire lorsque vous utilisez le produit. Assurez-vous de disposer d'un extincteur à proximité.

Dispositifs de sécurité sur le produit



AVERTISSEMENT: Lisez les instructions qui suivent avant d'utiliser le produit.

- N'utilisez jamais un produit dont les équipements de sécurité sont défectueux. Si les contrôles ne donnent pas de résultat positif, confiez le produit à un atelier spécialisé.
- N'utilisez pas le produit si des plaques de protection, des capots de protection, des interrupteurs de sécurité ou d'autres dispositifs de protection ne sont pas fixés ou sont défectueux.

Protection contre la surcharge du moteur, Elgard™

La protection contre la surcharge du moteur s'engage si le moteur a une charge trop élevée ou si le foret ne peut pas se déplacer librement.

La protection contre la surcharge du moteur provoque une diminution et une augmentation de la puissance du moteur par intervalles courts de quelques secondes. Ensuite, si vous ne diminuez pas la force, le moteur s'arrête. Reportez-vous à la section *Pour réinitialiser la protection contre la surcharge du moteur à la page 82.*

Indicateur de charge



REMARQUE: des surcharges répétées peuvent endommager le produit.

Le produit est équipé de LED qui indiquent la charge du moteur. Reportez-vous à la section *Indications LED à la page 88.*

PRCD



AVERTISSEMENT: Non applicable aux modèles de 110 V vendus au Royaume-Uni et en Irlande. Royaume-Uni et Irlande : N'utilisez pas la version 110 V du produit sans transformateur d'isolement ; reportez-vous aux sections EN/IEC 61558-1 et EN/IEC 61558-2-23. Le transformateur d'isolement doit être équipé d'un fil de terre côté enroulement secondaire.



AVERTISSEMENT: Ne plongez pas le PRCD dans l'eau.



AVERTISSEMENT: Avant d'utiliser le produit, vérifiez toujours le PRCD. Reportez-vous à la section *Pour examiner le PRCD à la page 79.*

Un PRCD est installé sur le cordon d'alimentation du produit. Le PRCD est destiné à la protection et s'engage en cas de panne électrique. Reportez-vous à *Caractéristiques techniques à la page 87* pour plus d'informations sur le courant auquel se déclenche le PRCD.

Le voyant rouge indique que le PRCD est allumé et que le produit peut être démarré. Si le voyant rouge est éteint, appuyez sur le bouton RÉINITIALISER.

(Fig. 8)

Pour examiner le PRCD



AVERTISSEMENT: Non applicable aux modèles de 110 V vendus au Royaume-Uni et en Irlande. Reportez-vous à la section *PRCD à la page 79.*



AVERTISSEMENT: Le PRCD doit être examiné à chaque fois que la prise de courant est branchée sur secteur.



AVERTISSEMENT: si le PRCD doit être réparé, adressez-vous toujours à un atelier spécialisé Husqvarna agréé.

1. Branchez la prise de courant du produit sur une prise secteur.
2. Appuyez sur le bouton « RÉINITIALISER ». Le témoin au-dessus du bouton est rouge lorsque le courant est connecté.
3. Faites démarrer le produit, reportez-vous à la section *Pour démarrer le produit à la page 81.*
4. Appuyez sur le bouton « TEST ». Si le produit s'arrête, le PRCD fonctionne correctement. (Fig. 9)

Interrupteur de marche/arrêt

L'interrupteur marche/arrêt permet de faire démarrer et d'arrêter le produit.

(Fig. 10)

Pour examiner l'interrupteur de marche/arrêt

1. Branchez la prise de courant du produit sur le secteur.
2. Placez l'interrupteur de marche/arrêt sur « 1 » pour faire démarrer le produit.
3. Placez l'interrupteur marche/arrêt sur « 0 » pour arrêter le produit.

Embrayage à friction

L'embrayage à friction est intégré à la boîte de vitesses du produit. Il évite d'endommager le produit si le foret s'arrête pendant l'opération. Si la charge est trop élevée, l'embrayage à friction est relâché et immobilise la tige de forage mais maintient le moteur en marche pendant quelques secondes. L'embrayage à friction s'engage à nouveau si la charge diminue et que l'opération peut se poursuivre. Si le foret est coincé dans le matériau et s'arrête complètement, l'embrayage à friction arrête immédiatement le moteur.



REMARQUE: Assurez-vous que le temps de relâchement de l'embrayage ne dépasse pas 3-4 secondes, pour éviter que la chaleur n'augmente trop rapidement.

Instructions de sécurité pour l'entretien



AVERTISSEMENT: Les contrôles et/ou les entretiens doivent être effectués avec le

moteur à l'arrêt et la prise électrique débranchée.

- Entretenez les accessoires et outils électriques. Vérifiez que des pièces en mouvement ne sont pas désalignées ou mal fixées, que des composants ne sont pas cassés ou détériorés de façon à nuire au bon fonctionnement de l'outil électrique. Si elle est endommagée, la machine à usiner doit être réparée avant toute réutilisation. De nombreux accidents sont dus à des machines mal entretenues.
- Maintenez les outils tranchants aiguisés et propres. Des outils tranchants correctement entretenus avec des bords aiguisés sont moins susceptibles de se coincer et sont plus faciles à contrôler.
- Confiez l'entretien de votre outil électrique à un mécanicien qualifié qui utilisera uniquement des pièces de rechange identiques. Cela permet de garantir la sécurité de la machine.

Montage

Introduction



AVERTISSEMENT: Assurez-vous de lire et de comprendre le chapitre dédié à la sécurité avant de monter l'appareil.



AVERTISSEMENT: Pour éviter toute blessure, débranchez le cordon d'alimentation et retirez le foret avant le montage.

Pour fixer le produit à un support de forage



REMARQUE: Lisez attentivement le manuel d'utilisation du support de forage.

- Pour fixer le produit à un support de forage, reportez-vous au manuel du support de forage.
- Utilisez-le uniquement avec un support de forage Husqvarnahomologué. Reportez-vous à la section *Accessoires à la page 89*.

Utilisation

À faire avant de démarrer le produit

1. Lisez attentivement le manuel d'utilisation et assurez-vous de bien comprendre les instructions.
2. Lisez attentivement la section correspondant au support de forage dans le manuel d'utilisation et assurez-vous de bien comprendre les instructions.
3. Utilisez un équipement de protection personnelle. Reportez-vous à la section *Équipement de protection individuel à la page 78*.
4. Assurez-vous que la tension nominale dans la prise secteur est identique à la tension du produit.
5. Assurez-vous que la zone de travail est propre et lumineuse.
6. Assurez-vous que le produit est installé correctement. Le foret et le support de forage doivent être fixés correctement. (Fig. 11)

7. Lorsque vous effectuez un forage inversé, assurez-vous de respecter les instructions applicables. Reportez-vous à la section *Pour préparer le produit au forage inversé à la page 81*.
8. Assurez-vous que le système d'eau est en bon état et qu'il est raccordé au produit.
9. Effectuez l'entretien quotidien. Reportez-vous à la section *Schéma d'entretien à la page 83*.
10. Assurez-vous que le PRCD est en marche. Reportez-vous à *PRCD à la page 79* et *Pour examiner le PRCD à la page 79*.

Pour utiliser la connectivité intégrée

Remarque: Cette pièce s'applique uniquement aux produits fournis avec une connectivité intégrée.

Remarque: La transmission radio grâce à la fonction Bluetooth® est activée lors du premier branchement à une prise secteur, et le reste par la suite.

1. Téléchargez l'application Husqvarna Fleet Services iOS ou Android Husqvarna Fleet Services.
2. Pour plus d'informations, rendez-vous sur le site Web Husqvarna Fleet Services <https://fleetservices.husqvarna.com>.

Pour préparer le produit au forage inversé



AVERTISSEMENT: lors d'un forage inversé, utilisez toujours un anneau récupérateur de boues doté d'un disque d'étanchéité et d'une rondelle en caoutchouc. L'eau qui s'infiltré dans le produit augmente le risque de choc électrique.

1. Nettoyez le dessus de l'anneau récupérateur de boues. Toute la graisse et la saleté doivent être éliminées.
2. Fixez du ruban adhésif double face ou utilisez de la colle à pulvériser autour de l'ouverture supérieure de l'anneau récupérateur de boues (A). Placez le disque d'étanchéité sur l'ouverture supérieure pour en faire un couvercle (B). Fixez-le fermement. (Fig. 12)
3. Cherchez la dimension de la foreuse sur le dessus du foret. (Fig. 13)
4. Pratiquez un trou dans le disque d'étanchéité très légèrement plus petit que la foreuse. (Fig. 14)
5. Fixez la rondelle en caoutchouc à la rondelle à libération rapide sur la broche de forage. (Fig. 15)
6. Connectez le collecteur de boues au raccord de l'anneau récupérateur de boues. (Fig. 16)
7. Placez l'anneau récupérateur de boues sur la broche de forage (C). Installez le foret sur la broche de forage (D). (Fig. 17)
8. Démarrez le collecteur de boues.
9. Levez le foret vers le plafond. Fixez l'anneau récupérateur de boues au plafond. (Fig. 18)

Pour raccorder et ouvrir l'arrivée d'eau



REMARQUE: Assurez-vous que la pression d'eau maximale n'est pas trop élevée. Reportez-vous à la section *Caractéristiques techniques* à la page 87.



REMARQUE: Utilisez uniquement de l'eau propre pour éviter que la saleté provoque une obstruction dans le système d'eau.



REMARQUE: Utilisez uniquement un raccord d'alimentation en eau approuvé. Pour davantage d'informations, contactez votre revendeur.

1. Raccordez la soupape à bille à l'arrivée d'eau (A). (Fig. 19)
2. Ouvrez le système d'eau (B). Réglez la pression d'eau pour retirer tous les déchets du trou de forage.

Réduction de la température du moteur

- Faites fonctionner le produit sans charge pendant 2 minutes afin de réduire la température du moteur.

Pour changer de vitesse



REMARQUE: Changez de vitesse uniquement lorsque le moteur ralentit ou s'arrête. Ne forcez pas pour changer de vitesse.

- Assurez-vous de toujours utiliser la vitesse adaptée au diamètre du foret. Reportez-vous à la plaque signalétique sur le produit ou *Caractéristiques techniques* à la page 87.
- Tournez le sélecteur de vitesse pour changer de vitesse. (Fig. 20)

Pour utiliser Smartstart™

La fonction Smartstart™ diminue la vitesse du moteur. Cela permet de créer un avant-trou.

1. Démarrer le moteur. Assurez-vous que le foret ne touche pas le matériau.
2. Appuyez sur le bouton Smartstart™ (A) une fois. La vitesse diminue et la première LED verte clignote lorsque la fonction Smartstart™ est activée. (Fig. 21)
3. Percez un avant-trou dans le matériau.
4. Appuyez à nouveau sur le bouton Smartstart™ (A). La vitesse augmente jusqu'à la vitesse normale.

La vitesse revient automatiquement à la vitesse normale 1 minute après le lancement de la fonction Smartstart™ si le bouton Smartstart™ (A) n'est pas de nouveau enfoncé.

Remarque: utilisez uniquement la fonction Smartstart™ pour pré-percer un trou. La puissance est très réduite si elle est utilisée pendant le fonctionnement normal.

Pour démarrer le produit



AVERTISSEMENT: Vérifiez que le foret peut tourner librement. Il commence à tourner lorsque le moteur démarre.



AVERTISSEMENT: Si c'est la première fois que le produit est mis en marche de la journée, assurez-vous de procéder à une vérification du PRCD. Reportez-vous à la section *Pour examiner le PRCD à la page 79*.

1. Appuyez sur le bouton « RÉINITIALISER » du PRCD. (Fig. 22)
2. Pour régler la vitesse de fonctionnement, tournez la tige du foret en tournant simultanément le sélecteur de vitesse. Réglez le sélecteur de vitesse dans la position adaptée à l'opération. (Fig. 23)
3. Assurez-vous que le système d'eau est ouvert. (Fig. 24)
4. Placez l'interrupteur de marche/arrêt sur « 1 ». (Fig. 25)

Pour utiliser le produit



AVERTISSEMENT: Si le PRCD s'engage, retirez le foret du trou avant d'appuyer sur « RÉINITIALISER ».



AVERTISSEMENT: Des accidents dangereux peuvent se produire si le noyau en béton reste dans le foret lorsque vous retirez le foret du trou.



AVERTISSEMENT: Lorsque vous utilisez un support de forage, saisissez l'outil électrique par les surfaces de maintien isolées du support de forage.



REMARQUE: Assurez-vous qu'aucun objet ne heurte le foret.



REMARQUE: Ne forcez pas plus que nécessaire. Vous risqueriez de ralentir le fonctionnement du produit et de provoquer une surcharge du moteur.

1. Démarrer le moteur. Reportez-vous à la section *Pour démarrer le produit à la page 81*.
2. Laissez le moteur atteindre sa vitesse maximale avant de toucher la surface avec le foret.
3. Poussez le foret dans la surface avec le levier d'alimentation.

4. Si vous percez des renforts en fer, utilisez une pression initiale plus élevée et un rapport inférieur à celui que vous utiliseriez s'il n'y avait pas de renforts en fer.
5. Appliquez une très faible pression au départ afin de maintenir le foret dans la position adéquate.
6. Pendant l'opération, assurez-vous que l'eau élimine tous les déchets du trou de forage. Réglez la pression d'eau si nécessaire.
7. Arrêtez le moteur. Reportez-vous à la section *Pour arrêter le produit à la page 82*.

Pour arrêter le produit



AVERTISSEMENT: Le foret continue de tourner quelque instants après l'arrêt du moteur. N'arrêtez pas le foret avec les mains. Vous pourriez vous blesser.

1. Pour arrêter le produit, placez l'interrupteur de marche/arrêt sur « 0 ». (Fig. 26)
2. Patientez jusqu'à ce que le foret soit complètement arrêté.

Pour réinitialiser la protection contre la surcharge du moteur

1. Arrêtez le produit. Reportez-vous à la section *Pour arrêter le produit à la page 82*.
2. Retirez l'obstruction du foret.
3. Faites démarrer le produit. Reportez-vous à la section *Pour démarrer le produit à la page 81*.

Remplacement du foret



AVERTISSEMENT: Retirez la fiche de la prise secteur avant de remplacer le foret.

Remarque: Utilisez uniquement des forets diamantés homologués pour votre produit. Pour plus d'informations, contactez votre revendeur Husqvarna.

1. Assurez-vous que vous disposez d'un foret neuf, de 2 clés et d'une graisse hydrofuge.
2. Retirez le foret à l'aide des clés. (Fig. 27)
3. Lubrifiez le filetage de l'outil avec de la graisse hydrofuge.
4. Fixez le nouveau foret à l'aide des clés.

Entretien

Introduction



AVERTISSEMENT: assurez-vous de lire et de comprendre le chapitre sur la sécurité avant de procéder à l'entretien du produit.



AVERTISSEMENT: Pour éviter les blessures, débranchez le cordon


d'alimentation avant de procéder à l'entretien.

Schéma d'entretien

* = Entretien général effectué par l'opérateur. Les instructions ne sont pas mentionnées dans ce manuel d'utilisation.

X = Les instructions sont mentionnées dans ce manuel d'utilisation.

O = Contactez un atelier spécialisé Husqvarna.

Entretien	Avant chaque utilisation	Après chaque utilisation	Au quotidien	Après les 100 premières heures	Toutes les 300 heures
Assurez-vous que les pièces mobiles fonctionnent correctement et se déplacent librement.	*				
Assurez-vous que l'outil de coupe est affûté et propre.	*				
Assurez-vous que le PRCD fonctionne correctement.  AVERTISSEMENT: Non applicable aux modèles de 110 V vendus au Royaume-Uni et en Irlande. Reportez-vous à la section <i>PRCD</i> à la page 79.	X				
Vérifiez que le cordon d'alimentation, les autres câbles et la prise de courant ne sont pas endommagés.	*	*			
Assurez-vous que les poignées et les surfaces de blocage sont sèches, propres et exemptes d'huile et de graisse.	*	*			
Assurez-vous que le produit est propre.	X	X			
Vérifiez que les joints d'arbre ne sont pas endommagés et ne présentent pas de fuite d'eau.		X			
Assurez-vous que les écrous et les vis sont serrés.			*		
Assurez-vous que l'interrupteur de marche/arrêt fonctionne correctement.			X		
Remplacez l'huile d'engrenage.				O	
Vérifiez que les balais de charbon ne sont pas endommagés.					X

Nettoyage du produit



REMARQUE: Assurez-vous que de l'eau ne s'infiltré pas dans le moteur ou la boîte de vitesses.



REMARQUE: N'utilisez pas d'eau courante pour nettoyer le produit.

- Utilisez un chiffon sec ou humide pour nettoyer le produit.
- Éliminez toute obstruction de toutes les prises d'air. Une prise d'air obstruée réduit les performances du produit et peut provoquer une surchauffe du moteur.
- Nettoyez et lubrifiez le filetage de l'arbre à broche.

Pour effectuer l'entretien du foret diamanté

- Assurez-vous que les segments d'outils diamantés sont affûtés. Affûtez les segments en diamant émoussés à l'aide d'une pierre d'affûtage SiC.
- Assurez-vous qu'il n'y a pas de vibrations dans le foret. En cas de vibrations dans le foret, les segments diamantés peuvent se desserrer.
- Assurez-vous que la taille des segments en diamant soit suffisamment supérieure aux diamètres intérieur et extérieur du tube de foret.
- Lubrifiez le filetage du foret avec de la graisse hydrofuge. Cela permet de desserrer l'outil plus facilement.
- Assurez-vous que la tolérance d'excentricité radiale au niveau des segments en diamant du foret ne dépasse pas 1 mm.

Pour remplacer l'huile pour engrenages



REMARQUE: En cas de fuite d'huile d'engrenage, arrêtez le produit et contactez un centre d'entretien agréé. L'engrenage se détériore si le niveau d'huile d'engrenage est insuffisant.

- Faites remplacer l'huile d'engrenage par un centre d'entretien Husqvarna agréé.

Pour examiner le raccord d'eau



REMARQUE: En cas de fuite d'eau au niveau de la bague du raccord d'eau, les joints d'arbre doivent être remplacés immédiatement.

- Faites réparer le raccord d'eau par un centre d'entretien Husqvarna agréé.

Pour examiner les balais de charbon

1. Déposez les 4 vis de fixation du capot des balais de charbon. Utilisez un tournevis plat large. (Fig. 28)
2. Vérifiez les balais de charbon. La zone d'usure doit être lisse et non endommagée.
3. Si nécessaire, faites remplacer les balais de charbon par un centre d'entretien Husqvarna agréé.

Dépannage

Guide de dépannage

Si vous ne trouvez pas de solution à votre problème dans ce manuel de l'opérateur, contactez votre atelier spécialisé Husqvarna.

Problème	Étapes à effectuer immédiatement	Cause possible	Solution
Le produit ne démarre pas lorsque l'interrupteur de marche/arrêt est réglé sur « 1 ».	Placez l'interrupteur de marche/arrêt sur « 0 ».	Si un voyant rouge s'allume sur le PRCD, le courant est déconnecté.	Appuyez sur le bouton RÉINITIALISER du PRCD. Si le PRCD déconnecte à nouveau le courant, contactez un centre d'entretien Husqvarna agréé.
Le produit s'arrête.		La source de courant présente une anomalie. Le courant est déconnecté par Elgard.	Procédez à une vérification de la source de courant.
		Le foret est obstrué. Le courant est déconnecté par Elgard.	Tournez le foret vers la droite et la gauche, utilisez une clé mixte. Retirez avec précaution le produit du trou de forage.
		Une charge trop élevée provoque une surcharge du moteur. Le courant est déconnecté par Elgard.	Assurez-vous que le foret peut être facilement tourné dans le trou de forage.
		Si un voyant rouge s'allume sur le PRCD, le courant est déconnecté.	Appuyez sur le bouton RÉINITIALISER du PRCD. Si le PRCD déconnecte à nouveau le courant, contactez un centre d'entretien Husqvarna agréé.
		Le produit ne continue pas à pénétrer dans la surface, ralentit et s'arrête.	Les segments en diamant sont émoussés.
Des résidus indésirables s'accumulent autour du trou pendant l'opération.		La pression d'eau est trop basse.	Augmentez la pression de l'eau. Reportez-vous à la section <i>Caractéristiques techniques à la page 87</i> .
Les segments en diamant du foret sont retirés de leur liaison.		Il y a beaucoup de vibrations dans le produit pendant l'opération.	Utilisez la bonne charge lorsque vous utilisez le produit.
Il y a une fuite d'huile d'engrenage.		Les joints sont usés et doivent être remplacés.	Contactez un centre d'entretien Husqvarna agréé.
L'orifice de la bague de raccord d'eau présente une fuite d'eau.	Les joints d'arbre sont défectueux.	Contactez un centre d'entretien Husqvarna agréé. Veillez à toujours utiliser de l'eau propre.	
Le produit ne fonctionne pas correctement.	Réduisez la force.	Une charge trop élevée provoque une surcharge du moteur. Utilisez moins de force lorsque vous percez.	

Transport et stockage

- Débranchez la prise de la prise secteur avant de transporter ou de stocker l'appareil.
- Retirez le foret avant de transporter ou de remiser le produit. Cette précaution permet d'éviter d'endommager votre produit et les forets.
- Conservez le produit dans un endroit verrouillé afin que des enfants ou personnes qui ne sont pas autorisées à l'utiliser ne puissent pas y avoir accès.
- Entreposez le produit dans un endroit sec et à l'abri du gel.
- Sécurisez le produit lors de son transport pour éviter tout dommage ou accident.

Caractéristiques techniques

Caractéristiques techniques

Caractéristiques	DM400			DM430		
Moteur						
Moteur électrique	Monophasé			Monophasé		
Tension nominale, V	100-120, 110, 220-240			100-120, 110, 220-240		
Puissance nominale, W	3 200			3 200		
Puissance nominale, W	2 300			2 300		
Fréquence nominale, Hz	50-60			50-60		
Intensité nominale, A						
100-120V (US, JP)	20			20		
110 V (Royaume-Uni, Irlande)	30			30		
220-240V	15			15		
Courant PRCD, A						
100-120V (US, JP)	6 mA			6 mA		
220-240V	10 mA			10 mA		
Foret						
Diamètre de forage max. dans le béton, mm/pouce	350/14			450/18		
Diamètre de forage min. dans le béton, mm/pouce	55/2			100/4		
Poids, kg/lb	13,5/29,8			14,2/31,3		
Refroidissement par eau						
Raccord d'eau	Gardena			Gardena		
Pression d'eau maximale, en bar	3			3		
Connecteur d'outil						
Filetage de broche, JP/SE/RoW	A-Rod/CRI 28/1 1/4" G			A-Rod/CRI 28/1 1/4" G		
Poussière et boues						
Diamètre du foret pour l'utilisation d'un anneau récupérateur de boues, mm/pouce	50-350/2-13,8			50-350/2-13,8		
Données d'exploitation						
Pignon	1	2	3	1	2	3
Vitesse de broche, ralenti, pleine charge, tr/min	230	460	720	150	300	470

Caractéristiques	DM400			DM430		
	Vitesse de broche, ralenti, sans charge, tr/min	420	820	1 250	250	510
Diamètre de forage dans le béton, mm/pouce	165-350/6,5-14	80-160/3-6	55-105/2-4	250-450/8-18	125-250/5-10	100-160/4-6
Volume d'eau recommandé, l/min	1,7-2,4	1,1-1,6	0,9-1,3	2,0-2,5	1,5-2,0	1,2-1,6

Données sur les émissions sonores

Caractéristiques	DM400	DM430
Émissions sonores		
Niveau de pression acoustique, dB (A)	92	92
Niveau de pression acoustique, L _{WA} dB (A) ⁵	112	112

Connectivité intégrée

Remarque: Cette pièce s'applique uniquement aux produits fournis avec une connectivité intégrée.

Spectre radio de la technologie BLE	DM400	DM430
Bandes de fréquence de l'outil, GHz	2,402-2,480	2,402-2,480
Puissance de radiofréquence maximale transmise, dBm/mW	4/2,5	4/2,5

Indications LED



REMARQUE: des surcharges répétées peuvent endommager le produit.

⁵ Émissions sonores dans l'environnement mesurées en tant que puissance acoustique conformément à la norme EN 62841-3-6. Mesure d'incertitude attendue : 3 dB(A).

Indication sur le produit	Cause	Solution possible
1 LED verte.	L'outil est connecté à la tension secteur et peut être utilisé.	N/A
	La puissance de sortie représente moins de 50 % de la puissance disponible.	
2 LED vertes.	La puissance de sortie représente entre 50 et 65 % de la puissance disponible.	
3 LED vertes.	La puissance de sortie représente entre 65 et 80 % de la puissance disponible.	
3 LED vertes et 1 LED jaune.	Puissance de sortie maximale. La puissance de sortie représente plus de 80 % de la puissance disponible.	
3 LED vertes, 1 LED jaune et 1 LED rouge.	Il y a une surcharge du système.	Diminuez la charge pour empêcher le lancement de la protection contre la surcharge du moteur Elgard™.
Toutes les LED clignotent.	La protection contre la surcharge du moteur Elgard™ est lancée.	Diminuez la charge pour revenir à un fonctionnement correct.
	La protection contre la surcharge du moteur Elgard™ a arrêté le moteur.	Reportez-vous à la section <i>Pour ré-initialiser la protection contre la surcharge du moteur à la page 82.</i>
1 LED verte clignote.	La fonction Smartstart™ est lancée.	Reportez-vous à la section <i>Pour utiliser Smartstart™ à la page 81.</i>

Accessoires

Accessoires

Accessoire	DM400		DM430	
	Fixation par ventouse à vide : OK	Autre fixation : OK	Fixation par ventouse à vide : OK	Autre fixation : OK
Support de forage DS 500				
Anneau récupérateur de boues*	OK		OK	
Disque d'étanchéité*	OK		OK	
Rondelle en caoutchouc, numéro d'article 598 72 14-01	OK		OK	

* Pour plus d'informations, contactez votre atelier spécialisé.

Entretien

Atelier d'entretien agréé

Pour trouver l'atelier d'entretien Husqvarna Construction Products agréé le plus proche, rendez-vous sur le site Web www.husqvarnacp.com.

Déclaration de conformité CE

Déclaration de conformité UE

Nous, **Husqvarna AB**, SE-561 82 Huskvarna, Suède,
tél : +46-36-146500, déclarons sous notre entière
responsabilité que le produit :

Description	Foreuse diamantée transportable
Marque	Husqvarna
Type/Modèle	DM400, DM430
Identification	Numéros de série à partir de 2019 et ultérieurs

est entièrement conforme à la réglementation et aux
directives de l'UE suivantes :

Directive/Réglementation	Description
2006/42/EC	« relative aux machines »
2014/53/EU	« relative aux équipements radio »

et que les normes harmonisées et/ou les spécifications
techniques suivantes sont appliquées :

EN ISO 12100:2010

EN 62841-1:2014

EN 62841-3-6:2014+A11:2017

EN 55014-1:2017

EN 55014-2:2015

EN 61000-3-2:2014

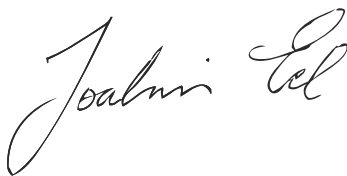
EN 61000-3-3:2013

ETSI EN 300 328 V2.1.1

ETSI EN 301 489-1 V2.2.0

ETSI EN 301 489-17 V3.2.0

Partille, 2019-12-08



Joakim Ed

Vice-président, découpe et forage de béton et
démolition légère

Husqvarna AB, division Construction

Responsable de la documentation technique

Marques déposées

La marque et les logos *Bluetooth®* sont des marques déposées appartenant à *Bluetooth SIG, inc.* , et toute utilisation de ces marques par Husqvarna est régie par une licence.

Inhoud

Inleiding.....	93	Transport en opslag.....	105
Veiligheid.....	94	Technische gegevens.....	106
Montage.....	99	Accessoires.....	108
Werking.....	99	Service.....	109
Onderhoud.....	101	EG verklaring van overeenstemming.....	110
Probleemoplossing.....	103	Geregistreerde handelsmerken.....	111

Inleiding

Productbeschrijving

Deze Husqvarna-boormotor is een draagbare diamantkernboormachine die moet worden gebruikt met een goedgekeurde boorstandaard.

De diamantboor is een holle boor met diamantsegmenten. Water stroomt door het kogelventiel, de slang en het diamantboorbit. Het water spoelt het uitgeboorde materiaal uit de sleuf en verlaagt de temperatuur in de boorbit.

Dit product heeft Smartstart™. Zie *Smartstart™ gebruiken op pagina 100*.

Sommige modellen van dit product hebben geïntegreerde connectiviteit. Zie *Geïntegreerde connectiviteit op pagina 93*.

Geïntegreerde connectiviteit

De cloudoplossing voor beheer van bedrijfsmiddelen Husqvarna Fleet Services™ geeft de fleetmanager een overzicht van alle producten die zijn verbonden via geïntegreerde of aftermarketsensoren. De positie van de gateway of smartphone kan worden gebruikt om de locatie van verbonden producten aan te geven. De

sensoren registreren gegevens zoals gebruiksduur, onderhoudsintervallen en meer. Download voor meer informatie over de cloudoplossing voor beheer van bedrijfsmiddelen Husqvarna Fleet Services™ de iOS- of Android-app Husqvarna Fleet Services via <https://apps.apple.com/se/app/husqvarna-fleet-services/id1334672726> of <https://play.google.com/store/apps/details?id=com.husqvarna.hfsmobile&hl=en>.

Sommige modellen van dit product zijn verbonden via de geïntegreerde Husqvarna Fleet Services™-sensor met de functie Bluetooth Low Energy (BLE). Als u meer informatie wilt over het gebruik hiervan, raadpleeg dan *Geïntegreerde connectiviteit gebruiken op pagina 100*. Raadpleeg *Geïntegreerde connectiviteit op pagina 107* voor informatie over het radiospectrum van de BLE-technologie.

Gebruik

Het product wordt gebruikt voor het boren van beton, steen, asfalt en metselwerk. Elk ander gebruik is niet geschikt.

Het product wordt door ervaren gebruikers toegepast in industriële processen.

Productoverzicht

(Fig. 1)

1. Boorspil
2. Snelsluitring
3. Lekopening
4. Mannelijk Gardena-koppelstuk met waterventiel
5. Versnellingschakelaar
6. Aan/Uit-schakelaar
7. Hendel
8. Smartstart™
9. Leds voor weergave van vermogensuitvoer
10. Elektroniekast
11. Montageplaat voor Husqvarna-boorstandaard
12. PRCD

Let op: In deze handleiding gebruiken we de term PRCD voor PRCD en GFCL.

13. Wateraansluiting
14. Sleutel
15. Bedieningshandleiding

Symbolen op het product

(Fig. 2) **WAARSCHUWING!** Dit product kan gevaarlijk zijn en ernstig of fataal letsel toebrengen aan de gebruiker of anderen. Wees voorzichtig en gebruik het product op de juiste manier.

- (Fig. 3) Lees de bedieningshandleiding goed door en zorg dat u de instructies hebt begrepen voordat u dit product gaat gebruiken.
- (Fig. 4) Gebruik altijd een goedgekeurde persoonlijke beschermingsuitrusting. Zie *Persoonlijke beschermingsuitrusting op pagina 97*.
- (Fig. 5) Dit product voldoet aan de geldende EG-richtlijnen.
- (Fig. 6) **Milieumarkering.** Het product of de verpakking ervan is geen huishoudelijk afval. Lever het in bij een erkende verwijderingslocatie voor elektrische en elektronische apparatuur.
- (Fig. 7) Zorg ervoor dat er geen water in het product kan lekken wanneer u in het plafond boort. Gebruik een geschikte watertank.

Let op: Overige op het product aangebrachte symbolen/plaatjes verwijzen naar specifieke eisen aan certificering voor bepaalde markten.

Productaansprakelijkheid

Zoals uiteengezet in de wet voor productaansprakelijkheid zijn wij niet aansprakelijk voor schade die door ons product wordt veroorzaakt, indien:

- het product niet goed is gerepareerd.
- het product is gerepareerd met onderdelen die niet van de fabrikant afkomstig zijn, of onderdelen die niet zijn goedgekeurd door de fabrikant.
- het product een accessoire bevat dat niet afkomstig is van de fabrikant of niet is goedgekeurd door de fabrikant.
- het product niet is gerepareerd door een erkend servicepunt of door een erkende autoriteit.

Veiligheid

Veiligheidsdefinities

Waarschuwingen, voorzorgsmaatregelen en opmerkingen worden gebruikt om te wijzen op belangrijke delen van de handleiding.



WAARSCHUWING: Wordt gebruikt om te wijzen op de kans op ernstig of fataal letsel voor de gebruiker of omstanders wanneer de instructies in de handleiding niet worden gevolgd.



OPGELET: Wordt gebruikt indien er een risico bestaat op schade aan het product en andere eigendommen of aan de omgeving wanneer de instructies in de handleiding niet worden gevolgd.

Let op: Geven verdere informatie die nodig is in een bepaalde situatie.

Algemene veiligheidswaarschuwingen voor elektrisch gereedschap



WAARSCHUWING: Lees alle veiligheidswaarschuwingen, instructies, illustraties en specificaties die worden meegeleverd met dit elektrisch gereedschap. Het niet opvolgen van ieder van de onderstaande instructies kan leiden tot elektrische schokken, brand en/of ernstig letsel.

Bewaar alle waarschuwingen en instructies voor later gebruik. De term "elektrisch gereedschap" in de waarschuwingen verwijst zowel naar gereedschappen

die op het lichtnet (met snoer) werken als gereedschappen die met een accu (snoerloos) werken.

Veiligheid van het werkgebied

- **Zorg ervoor dat de werkplek schoon en goed verlicht is.** In rommelige of donkere gebieden gebeuren eerder ongelukken.
- **Gebruik elektrisch gereedschap niet in een omgeving waar ontploffingsgevaar bestaat, zoals in de buurt van brandbare vloeistoffen, gassen of stof.** Elektrische apparaten creëren vonken waardoor het stof of de dampen kunnen ontbranden.
- **Houd kinderen en omstanders op afstand wanneer u elektrisch gereedschap gebruikt.** U kunt de controle over het apparaat verliezen als u afgeleid wordt.

Elektrische veiligheid

- **Elektrisch gereedschap moet geschikt zijn voor het betreffende stopcontact. Wijzig nooit de stekker. Gebruik nooit een adapterstekker in combinatie met geaarde elektrische gereedschappen.** Ongewijzigde stekkers en overeenkomende stopcontacten verkleinen het risico op elektrische schokken.
- **Vermijd lichamelijke contact met geaarde oppervlakken, zoals buizen, radiatoren, fornuizen en koelkasten.** Er is een verhoogd risico op elektrische schokken als uw lichaam geaard is.
- **Stel elektrische gereedschappen niet bloot aan regen of vochtige omstandigheden.** Water dat in elektrisch gereedschap binnendringt, verhoogt het risico op elektrische schokken.
- **Gebruik de kabel niet voor oneigenlijke doeleinden. Gebruik de kabel nooit om het elektrische apparaat te dragen, het mee te slepen of om de stekker uit het stopcontact te trekken. Houd de kabel uit de buurt van warmte, olie, scherpe randen en bewegende**

onderdelen. Beschadigde of in de knoop geraakte kabels verhogen het risico op elektrische schokken.

- **Gebruik een verlengkabel die geschikt is voor gebruik buitenshuis wanneer u buiten werkt met elektrisch gereedschap.** Het gebruik van een kabel die geschikt is voor gebruik buitenshuis, vermindert het risico op elektrische schokken.
- **Als gebruik van een elektrisch apparaat in een vochtige omgeving onvermijdelijk is, gebruik dan een netvoeding met reststroombescherming (RCD).** Het gebruik van een aardlekschakelaar vermindert het risico op elektrische schokken.

Persoonlijke veiligheid

- **Wees altijd alert, kijk wat u doet en gebruik uw gezonde verstand wanneer u elektrisch gereedschap gebruikt.** Gebruik elektrisch gereedschap niet als u moe bent of onder invloed bent van drugs, alcohol of medicijnen. Een moment van onoplettendheid tijdens het gebruik van elektrische apparaten kan leiden tot ernstig persoonlijk letsel.
- **Maak altijd gebruik van persoonlijke beschermingsmiddelen. Draag altijd oogbescherming.** Beschermingsmiddelen zoals een stofmasker, veiligheidsschoenen met antislipprofiel, een veiligheidshelm of gehoorbescherming in relevante werkomstandigheden beperken letsel.
- **Voorkom een onbedoelde start. Zorg ervoor dat de schakelaar in de stand Off staat voordat u het gereedschap aansluit op een spanningsbron en/of accupack, oppakt of draagt.** Het dragen van elektrische apparaten met uw vinger op de schakelaar of het onder spanning zetten van elektrische apparaten waarvan de schakelaar op aan staat, kan makkelijk leiden tot ongelukken.
- **Verwijder eventuele (instel)sleutels voordat u het elektrisch gereedschap inschakelt.** Een sleutel die is bevestigd aan een draaiend onderdeel van het elektrische gereedschap kan persoonlijk letsel tot gevolg hebben.
- **Voorkom overstrekken. Zorg dat u te allen tijde stevig en in balans staat.** Hierdoor heeft u een betere controle over het apparaat in onverwachte situaties.
- **Draag geschikte kleding. Draag geen losse kleding of sieraden. Houd uw haar en kleding uit de buurt van bewegende onderdelen.** Losse kleding, sieraden of lang haar kunnen verstrikt raken in bewegende onderdelen.
- **Als de mogelijkheid bestaat voor het opvangen van stof moet u ervoor zorgen dat deze is aangesloten en op de juiste wijze wordt gebruikt.** Het gebruik van stofopvang kan stofgerelateerde gevaren beperken.
- **Laat de vertrouwdeheid met de door u gebruikte apparaten door het frequente gebruik ervan niet toe leiden dat u de veiligheidsprincipes negeert.** Een onzorgvuldige handeling kan binnen een fractie van een seconde leiden tot ernstig letsel.

Gebruik en verzorging van elektrische apparaten

- **Gebruik elektrische gereedschap niet voor taken waarvoor het niet geschikt is. Gebruik het juiste elektrische apparaat voor uw toepassing.** Met het juiste elektrische apparaat kunt u de taak beter en veiliger uitvoeren met de snelheid waarvoor het is ontworpen.
- **Gebruik het elektrisch gereedschap niet als de aan/uitschakelaar niet werkt.** Elektrische apparaten die niet bediend kunnen worden met de schakelaar zijn gevaarlijk en moeten gerepareerd worden.
- **Haal de stekker uit het stopcontact en/of verwijder het accupack (indien verwijderbaar) van het elektrische gereedschap voordat u aanpassingen maakt, accessoires verwisselt of het elektrische gereedschap opbergt.** Deze voorzorgsmaatregelen verkleinen het risico op het per ongeluk starten van het elektrische apparaat.
- **Berg elektrisch gereedschap dat u niet nodig hebt op buiten het bereik van kinderen en laat personen die onbekend zijn met het elektrisch gereedschap of deze instructies niet werken met het elektrisch gereedschap.** Elektrische apparaten zijn gevaarlijk in handen van ongetrainde gebruikers.
- **Zorg voor een deugdelijk onderhoud van elektrische gereedschappen en accessoires. Controleer op onjuiste montage of vastlopen van bewegende delen, gebroken onderdelen en andere condities die de werking van het elektrische gereedschap kunnen beïnvloeden. Als het elektrische apparaat beschadigd is, moet u het laten repareren voordat u het gebruikt.** Veel ongelukken worden veroorzaakt door slecht onderhouden elektrische apparaten.
- **Houd snijgereedschappen scherp en schoon.** Goed onderhouden snijgereedschappen met scherpe snijranden zullen minder gauw vastlopen en zijn eenvoudiger onder controle te houden.
- **Gebruik het elektrisch gereedschap, de accessoires, gereedschapsbits en dergelijke in overeenstemming met deze instructies en houd hierbij rekening met de werkomstandigheden en het type klus dat moet worden uitgevoerd.** Als u het elektrische apparaat voor andere toepassingen gebruikt dan waarvoor het is bedoeld, kan er een gevaarlijke situatie ontstaan.
- **Houd de handgrepen en grijppoppervlakken droog, schoon en vrij van olie en vet.** Als handgrepen en grijppoppervlakken glad zijn, kan dit ervoor zorgen dat het gereedschap in onverwachte situaties niet veilig kan worden gehanteerd en bediend.

Service

- **Laat uw elektrische apparaat repareren door een gekwalificeerde monteur en gebruik uitsluitend identieke vervangingsonderdelen.** Dit zorgt ervoor dat de veiligheid van het elektrisch gereedschap wordt gehandhaafd.

Veiligheidswaarschuwingen voor diamantboor

- **Wanneer u boorwerkzaamheden uitvoert waarbij water moet worden gebruikt, moet u het water uit de werkomgeving van de gebruiker leiden of een vloeistofopvangsysteem gebruiken.** Dergelijke voorzorgsmaatregelen houden de werkomgeving van de gebruiker droog en beperken het risico op elektrische schokken.
- **Bedien het gereedschap via de geïsoleerde handgrepen tijdens het uitvoeren van werkzaamheden waarbij het snijtoebehoren in aanraking kan komen met verborgen bedrading of de eigen voedingskabel.** Als het snijtoebehoren een onder stroom staande draad aanraakt, kan dit ervoor zorgen dat niet-geïsoleerde delen van het gereedschap ook onder stroom komen, waardoor de gebruiker een elektrische schok kan krijgen.
- **Draag gehoorbescherming bij diamantboren.** Blootstelling aan lawaai kan leiden tot gehoorverlies.
- **Oefen wanneer het bit is vastgelopen geen neerwaartse druk uit en schakel het gereedschap uit.** Onderzoek de oorzaak van het vastzittende bit en neem maatregelen om het probleem te verhelpen.
- **Bij het opnieuw starten van een diamantboor in het werkstuk moet worden gecontroleerd of het bit vrij kan draaien voordat u begint.** Als het bit is vastgelopen, kan het gereedschap mogelijk niet starten, overbelast raken of kan de diamantboor van het werkstuk loskomen.
- **Zorg er wanneer u de boorstandaard met ankers en overige bevestigingen aan het werkstuk vastzet voor dat de gebruikte verankering de machine tijdens gebruik kan vast- en tegenhouden.** Als het werkstuk zwak of poreus is, kan het anker naar buiten worden getrokken, waardoor de boorstandaard loskomt van het werkstuk.
- **Wanneer u het boorstatief met een vacuÛmplaat op het werkstuk bevestigt, moet u de plaat aanbrengen op een glad, schoon, niet-poreus oppervlak. Niet bevestigen op gelamineerde oppervlakken zoals tegels en composietcoating.** Als het werkstuk niet glad, vlak of goed bevestigd is, kan de plaat worden weggetrokken van het werkstuk.
- **Zorg voor voldoende vacuÛm voor en tijdens het boren.** Als er onvoldoende vacuÛm is, kan de plaat loskomen van het werkstuk.
- **Boor nooit als de machine alleen is vastgezet met de vacuÛmplaat, behalve wanneer u omlaag boort.** Als het vacuÛm wegvalt, komt de plaat los van het werkstuk.
- **Wanneer u door muren of plafonds boort, dient u ervoor te zorgen dat personen en het werkgebied aan de andere kant worden beschermd.** Het bit kan door het gat steken of de kern kan aan de andere kant naar buiten vallen.
- **Gebruik bij bovenhoofds boren altijd het vloeistofopvangsysteem dat in de instructies wordt vermeld.** Zorg ervoor dat er geen water in het

gereedschap terechtkomt. Water dat in het elektrische gereedschap binnendringt, verhoogt het risico op elektrische schokken.

Algemene veiligheidsinstructies



WAARSCHUWING: Lees de volgende waarschuwingen voordat u het product gaat gebruiken.

- Dit product kan bij onvoorzichtig of onjuist gebruik een gevaarlijk gereedschap zijn. Dit product kan ernstig of fataal letsel toebrengen aan de gebruiker of anderen. Het is erg belangrijk dat u deze gebruiksaanwijzing leest en begrijpt voordat u dit product gaat gebruiken.
- Bewaar alle waarschuwingen en instructies.
- U dient alle toepasselijke wet- en regelgeving in acht te nemen.
- De gebruiker en de werkgever van de gebruiker dienen op te hoogte te zijn van de risico's tijdens het gebruik van het product en moeten deze voorkomen.
- Zorg ervoor dat dit product alleen wordt gebruikt door personen die de inhoud van de gebruikershandleiding hebben gelezen en begrepen.
- Gebruik het product alleen als u voorafgaand aan gebruik training hebt ontvangen. Zorg ervoor dat alle gebruikers getraind worden.
- Laat het product niet door een kind bedienen.
- Het product mag alleen worden gebruikt door goedgekeurde personen.
- De gebruiker is verantwoordelijk indien ongelukken gebeuren met andere mensen of hun eigendommen.
- Gebruik het product nooit als u moe of ziek bent, of onder invloed van alcohol, drugs of medicijnen verkeert.
- Wees altijd voorzichtig en gebruik uw gezond verstand.
- Dit product produceert tijdens bedrijf een elektromagnetisch veld. Dit veld kan onder bepaalde omstandigheden de werking van actieve of passieve medische implantaten verstoren. Om het risico op ernstig of fataal letsel te verminderen, raden we personen met een medisch implantaat aan om contact op te nemen met hun arts en de fabrikant van het medische implantaat voordat ze dit product gebruiken.
- Houd het product schoon. Zorg ervoor dat u de aanduidingen en stickers duidelijk kunt lezen.
- Gebruik het product niet als het defect is.
- Breng geen wijzigingen aan dit product aan.
- Gebruik het product niet als de mogelijkheid bestaat dat andere personen wijzigingen aan het product hebben aangebracht.

Gebruik altijd uw gezond verstand



WAARSCHUWING: Onder geen beding mag u wijzigingen aanbrengen in het oorspronkelijke ontwerp van het product zonder toestemming van de fabrikant. Gebruik altijd originele reserveonderdelen. Ongeautoriseerde wijzigingen en/of accessoires kunnen ernstig of dodelijk letsel aan de gebruiker of anderen toebrengen.



WAARSCHUWING: Het gebruik van producten zoals doorslijpmachines, slijpparaten en boren om materiaal te schuren of te vormen, kan stof en dampen veroorzaken die gevaarlijke chemicaliën kunnen bevatten. Controleer de aard van het materiaal dat u wilt bewerken en draag een geschikt stofmasker.

Het is niet mogelijk om elke situatie die zich kan voordoen tijdens het gebruik van het product te vermelden. Wees altijd voorzichtig en gebruik uw gezond verstand. Vermijd situaties die uw capaciteiten te boven gaan. Als u na het lezen van deze instructies nog vragen hebt over de bedieningsprocedures dient u een expert te raadplegen voordat u verder gaat.

Aarzel niet om contact op te nemen met uw Husqvarna-dealer als u nog meer vragen hebt over het gebruik van het product. We zijn graag bereid om u te adviseren of u te helpen uw product op een efficiënte en veilige manier te gebruiken.

Laat het product regelmatig controleren door uw Husqvarna-servicewerkplaats en laat belangrijke aanpassingen en reparaties uitvoeren.

Husqvarna Construction Products werkt voortdurend aan het verder ontwikkelen van zijn producten. Husqvarna behoudt zich het recht voor om zonder aankondiging vooraf wijzigingen in vorm en uiterlijk door te voeren en zonder enige verplichting het ontwerp te wijzigen.

Alle informatie en gegevens in deze bedieningshandleiding waren van toepassing op de datum dat deze bedieningshandleiding ter perse ging.

Veiligheidsinstructies voor bediening



WAARSCHUWING: Lees de volgende waarschuwingen voordat u het product gaat gebruiken.

- Gebruik het product alleen als u weet dat u hulp kunt krijgen indien zich een ongeval voordoet.
- Gebruik het product niet bij ongunstige weersomstandigheden, zoals mist, regen, sterke wind, hevige koude of andere ongunstige omstandigheden. Bij slecht weer kunnen gevaarlijke

omstandigheden, zoals gladde oppervlakken, ontstaan.

- Kijk uit voor personen, objecten en situaties die een veilig gebruik van het product kunnen verhinderen.
- Wanneer de boor tijdens bedrijf omhoog wijst, moet u altijd een geschikte bak gebruiken om het water op te vangen.
- Bevestig het product altijd aan een geschikte boorstandaard voordat u het gebruikt. Zie *Accessoires op pagina 108*.
- Zorg er altijd voor dat u de motor in een noodsituatie snel kunt stoppen.
- Controleer of er geen leidingen of elektrische kabels lopen op de plek waar u het gat gaat boren.
- Zet de motor onmiddellijk stop als het product niet correct werkt.
- Zorg ervoor dat u stabiel en veilig staat tijdens het gebruik.
- Blijf op afstand van de boorbit wanneer de motor draait.
- Blijf in de buurt van het product wanneer de motor is ingeschakeld.
- Haal altijd de stekker uit het stopcontact voordat u apparaat onbeheerd achterlaat.
- Zorg ervoor dat alle onderdelen in een goede staat blijven en controleer of alle fittingen goed vastzitten.
- Als er trillingen optreden in het product of als het geluidsniveau van het product ongewoon hoog is, dient u het product onmiddellijk te stoppen. Controleer het product op schade. Repareer schade of laat een erkende servicewerkplaats de reparatie uitvoeren.
- Gebruik altijd goedgekeurde accessoires. Neem voor meer informatie contact op met uw dealer.

Persoonlijke beschermingsuitrusting



WAARSCHUWING: Lees de volgende waarschuwingen voordat u het product gaat gebruiken.

- Gebruik altijd de juiste persoonlijke beschermingsmiddelen wanneer u het product gebruikt. De persoonlijke beschermingsmiddelen nemen het risico op letsel niet weg. De persoonlijke beschermingsmiddelen verlagen de ernst van het letsel indien zich een ongeval voordoet. Vraag uw dealer u te helpen bij het kiezen van de juiste beschermingsmiddelen.
- Gebruik goedgekeurde oogbescherming wanneer u het product gebruikt.
- Draag geen losse, zware en ongeschikte kleding. Draag kleren waarin u zich vrij kunt bewegen.
- Draag goedgekeurde veiligheidshandschoenen voor een stevige greep.
- Draag rubberen veiligheidshandschoenen om huidirritatie als gevolg van nat beton te voorkomen.
- Draag een goedgekeurde veiligheidshelm.

- Gebruik altijd goedgekeurde gehoorbescherming wanneer u het product gebruikt. Langdurig lawaai kan gehoorverlies veroorzaken.
- Het product veroorzaakt stof en dampen die gevaarlijke chemicaliën bevatten. Gebruik goedgekeurde ademhalingsbescherming.
- Gebruik laarzen met een stalen neus en antislipzool.
- Zorg ervoor dat u een EHBO-kit bij de hand hebt.
- Er kunnen vonken optreden bij de bediening van de machine. Zorg ervoor dat u een brandblusser bij de hand hebt.

Veiligheidsvoorzieningen op het product



WAARSCHUWING: Lees de volgende waarschuwingen voordat u het product gaat gebruiken.

- Gebruik het product nooit als de veiligheidsonderdelen defect zijn! Als uw product niet door alle controles komt, neem dan contact op met uw servicewerkplaats voor reparatie.
- U mag het product niet gebruiken als beschermingsplaten, afschermingen, veiligheidsschakelaars of andere veiligheidsvoorzieningen ontbreken of defect zijn.

Beveiliging tegen overbelasting van de motor, Elgard™

De beveiliging tegen overbelasting van de motor wordt ingeschakeld als de motor te zwaar wordt belast of als de boorbit niet vrij kan bewegen.

De beveiliging tegen overbelasting van de motor zorgt ervoor dat het vermogen van de motor gedurende enkele seconden afneemt en toeneemt. Als u dan de kracht niet verlaagt, stopt de motor. Zie *De beveiliging tegen overbelasting van de motor resetten op pagina 101*.

Indicatielampje belasting



OPGELET: Herhaalde overbelasting van het product kan schade aan het product veroorzaken.

Het product is voorzien van leds die de belasting van de motor aangeven. Zie *Led-aanduidingen op pagina 107*.

PRCD



WAARSCHUWING: Niet van toepassing op 110V-modellen die worden verkocht in het Verenigd Koninkrijk en Ierland. Verenigd Koninkrijk en Ierland: Gebruik het 110V-model van het product niet zonder een scheidingstransformator, zie EN/IEC 61558-1 en EN/IEC 61558-2-23. De scheidingstransformator moet aan zijde van de secundaire wikkeling zijn geaard.



WAARSCHUWING: Dompel de PRCD niet onder in water.



WAARSCHUWING: Controleer de PRCD altijd voordat u het product gebruikt. Zie *De PRCD (aardlekschakelaar) inspecteren op pagina 98*.

Op het netsnoer van het product is een PRCD geïnstalleerd. De PRCD dient ter bescherming en wordt ingeschakeld als zich een elektrische storing voordoet. Zie *Technische gegevens op pagina 106* voor informatie over bij welke stroomsterkte de PRCD wordt geactiveerd.

Het rode lampje geeft aan dat de PRCD is ingeschakeld en dat het product kan worden gestart. Als het rode lampje niet brandt, druk dan op de RESET-knop.

(Fig. 8)

De PRCD (aardlekschakelaar) inspecteren



WAARSCHUWING: Niet van toepassing op 110V-modellen die worden verkocht in het Verenigd Koninkrijk en Ierland. Zie *PRCD op pagina 98*.



WAARSCHUWING: De PRCD moet telkens wanneer de stekker in het stopcontact wordt gestoken, worden gecontroleerd.



WAARSCHUWING: Als de PRCD moet worden gerepareerd, neem dan altijd contact op met een erkende Husqvarna-servicewerkplaats.

1. Sluit de stekker van het product aan op het stopcontact.
2. Druk op de RESET-knop. De indicator boven de knop is rood wanneer er stroom aanwezig is.
3. Start het product, zie *Product starten op pagina 100*.
4. Druk op de TEST-knop. Als het product stopt, werkt de PRCD naar behoren. (Fig. 9)

AAN/UIT-schakelaar

De AAN/UIT-schakelaar wordt gebruikt om het product te starten en te stoppen.

(Fig. 10)

De AAN/UIT-schakelaar controleren

1. Sluit de stekker van het product aan op het stopcontact.
2. Zet de AAN/UIT-schakelaar op 1 om het product te starten.

3. Zet de AAN/UIT-schakelaar op 0 om het product te stoppen.

uitgeschakelde motor en de stekker uit het stopcontact.

Frictiekoppeling

De frictiekoppeling is geïntegreerd in de tandwielkast van het product. Deze voorkomt schade aan het product als de boor tijdens bedrijf stopt. Als de belasting te hoog is, wordt de frictiekoppeling losgelaten en stopt de boorspil, maar blijft de motor enkele seconden ingeschakeld. De frictiekoppeling wordt weer ingeschakeld als de belasting wordt verlaagd en de bewerking kan worden voortgezet. Als de boorbit vast komt te zitten in het materiaal en volledig stopt, stopt de frictiekoppeling de motor onmiddellijk.



OPGELET: Zorg ervoor dat de vrijgavetijd van de koppeling niet meer dan 3-4 seconden bedraagt, omdat anders slijtage en warmte snel zullen toenemen.

Veiligheidsinstructies voor onderhoud



WAARSCHUWING: Controle en/of onderhoud dient te worden uitgevoerd met

- Zorg voor een deugdelijk onderhoud van elektrische gereedschappen en accessoires. Controleer het gereedschap op verkeerde uitlijning of bevestiging van bewegende onderdelen, breuk van onderdelen en andere condities die de werking van het elektrische gereedschap negatief kunnen beïnvloeden. Als het elektrische apparaat beschadigd is, moet u het laten repareren voordat u het gebruikt. Veel ongelukken worden veroorzaakt door slecht onderhouden elektrische apparaten.
- Houd snijgereedschappen scherp en schoon. Goed onderhouden snijgereedschappen met scherpe snijranden zullen minder gauw vastlopen en zijn eenvoudiger onder controle te houden.
- Laat uw elektrisch gereedschap repareren door een gekwalificeerde monteur en gebruik uitsluitend identieke vervangingsonderdelen. Dit zorgt ervoor dat de veiligheid van het elektrisch gereedschap wordt gehandhaafd.

Montage

Inleiding



WAARSCHUWING: Zorg dat u het hoofdstuk over veiligheid hebt gelezen en begrepen voordat u het apparaat monteert.



WAARSCHUWING: Koppel alvorens te monteren de voedingskabel los en verwijder het boorbit om letsel te voorkomen.

Het product bevestigen op een boorstandaard



OPGELET: Lees de bedieningshandleiding voor de boorstandaard zorgvuldig door.

- Raadpleeg de handleiding van de boorstandaard om het product aan een boorstandaard te bevestigen.
- Gebruik uitsluitend met door Husqvarna goedgekeurde boorstandaarden. Zie *Accessoires op pagina 108*.

Werking

Voordat u het product gebruikt

1. Lees de gebruikershandleiding zorgvuldig door en zorg dat u de instructies hebt begrepen.
2. Lees de bedieningshandleiding van de boorstandaard zorgvuldig door en zorg dat u de instructies hebt begrepen.
3. Maak altijd gebruik van persoonlijke beschermingsmiddelen. Zie *Persoonlijke beschermingsuitrusting op pagina 97*.
4. Controleer of de nominale spanning in het stopcontact gelijk is aan de spanning van het product.
5. Zorg ervoor dat het werkgebied schoon en droog is.
6. Controleer of het product correct is gemonteerd. De boorbit en boorstandaard moeten correct worden bevestigd. (Fig. 11)
7. Wanneer u omgekeerd boort, moet u zich houden aan de betreffende instructies. Zie *Het product voorbereiden voor omgekeerd boren op pagina 100*.
8. Controleer of het watersysteem niet beschadigd is en op het product is aangesloten.
9. Voer dagelijks onderhoud uit. Zie *Onderhoudsschema op pagina 102*.
10. Controleer of de PRCD is gestart. Zie *PRCD op pagina 98* en *De PRCD (aardlekschakelaar) inspecteren op pagina 98*.

Geïntegreerde connectiviteit gebruiken

Let op: Dit onderdeel is alleen van toepassing op producten die worden geleverd met geïntegreerde connectiviteit.

Let op: Radiotransmissie door de Bluetooth®-functie wordt ingeschakeld wanneer het product voor het eerst wordt aangesloten op het stopcontact en blijft daarna ingeschakeld.

1. Download de Husqvarna Fleet Services-app voor iOS of Android.
2. Ga naar de Husqvarna Fleet Services-website <https://fleetservices.husqvarna.com> voor meer informatie.

Het product voorbereiden voor omgekeerd boren



WAARSCHUWING: Gebruik altijd een slijbring met een afdichtschijf en een rubberen ring tijdens het omgekeerd boren. Water dat het product binnendringt, verhoogt het risico op elektrische schokken.

1. Reinig de bovenkant van de slijbring. Alle vet en vuil moeten worden verwijderd.
2. Bevestig dubbelzijdige tape of gebruik spuitlijm rond de bovenste opening van de slijbring (A). Plaats de afdichtschijf op de bovenste opening als afdekking (B). Bevestig deze stevig. (Fig. 12)
3. Zoek de afmeting van de kernboor op de bovenkant van de boor. (Fig. 13)
4. Maak een gat in de afdichtschijf in de dichtstbijzijnde kleinere maat als de kernboor. (Fig. 14)
5. Bevestig de rubberen onderlegging op de snelsluitring op de boorspil. (Fig. 15)
6. Sluit de slijzuiger aan op de aansluiting van de slijbring. (Fig. 16)
7. Plaats de slijbring op de boorspil (C). Monteer de boorbit op de boorspil (D). (Fig. 17)
8. Start de slijzuiger.
9. Hef de boorbit tegen het plafond. Bevestig de slijbring tegen het plafond. (Fig. 18)

De watertoevoer aansluiten en openen



OPGELET: Controleer of de maximale waterdruk niet te hoog is. Zie *Technische gegevens op pagina 106*.



OPGELET: Gebruik alleen schoon water om te voorkomen dat vuil een verstopping in het watersysteem veroorzaakt.



OPGELET: Gebruik uitsluitend een goedgekeurde watertoevoerkoppeling. Neem voor meer informatie contact op met uw dealer.

1. Sluit het kogelventiel aan op de watertoevoer (A). (Fig. 19)
2. Open het watersysteem (B). Stel de waterdruk in om al het afvalmateriaal uit het boorgat te verwijderen.

De temperatuur van de motor verlagen

- Laat het product 2 minuten onbelast draaien om de temperatuur van de motor te verlagen.

Schakelen



OPGELET: Schakel alleen wanneer de motor langzamer draait of stopt. Gebruik geen kracht om te schakelen.

- Zorg ervoor dat u altijd de juiste snelheid gebruikt voor de boorbitdiameter. Zie het productplaatje op het product of *Technische gegevens op pagina 106*.
- Draai aan de versnellingschakelaar om te schakelen. (Fig. 20)

Smartstart™ gebruiken

De Smartstart™-functie verlaagt het toerental van de motor. Dit helpt om een startgat te maken.

1. Start de motor. Zorg ervoor dat de boor het materiaal niet raakt.
2. Druk één keer op de knop Smartstart™ (A). Het toerental wordt verlaagd en de eerste groene led knippert terwijl de Smartstart™-functie is ingeschakeld. (Fig. 21)
3. Boor een startgat in het materiaal.
4. Druk nogmaals op de knop Smartstart™ (A). Het toerental wordt weer verhoogd tot het gebruikelijke toerental.

Het toerental wordt 1 minuut na het starten van de Smartstart™-functie automatisch weer verhoogd tot het normale toerental als de Smartstart™-knop (A) niet opnieuw wordt ingedrukt.

Let op: Gebruik de Smartstart™-functie alleen om een gat te beginnen. Het vermogen neemt sterk af als deze tijdens normaal gebruik wordt gebruikt.

Product starten



WAARSCHUWING: Zorg ervoor dat de boorbit vrij kan draaien. Dit begint te draaien wanneer de motor start.



WAARSCHUWING: Als dit de eerste keer is dat het product op de werkdag wordt gestart, controleert u de PRCD. Zie *De PRCD (aardlekschakelaar) inspecteren op pagina 98*.

1. Druk op de RESET-knop op de PRCD. (Fig. 22)
2. Om de werksnelheid in te stellen, draait u aan de boorspil en beweegt u tegelijkertijd de versnellingschakelaar. Zet de versnellingschakelaar in de juiste stand voor de werking. (Fig. 23)
3. Zorg ervoor dat het watersysteem openstaat. (Fig. 24)
4. Zet de AAN/UIT-schakelaar op 1. (Fig. 25)

Het product gebruiken



WAARSCHUWING: Als de PRCD wordt geactiveerd, verwijdert u de boorbit uit het gat voordat u op RESET drukt.



WAARSCHUWING: Er kunnen gevaarlijke ongelukken gebeuren indien de betonkern in de boorbit blijft zitten wanneer u de boorbit uit het gat verwijdert.



WAARSCHUWING: Als u een boorstatief gebruikt, houdt u het elektrische gereedschap vast aan de geïsoleerde handgrepen van het boorstatief.



OPGELET: Zorg ervoor dat geen voorwerpen in contact komen met de boorbit.



OPGELET: Gebruik niet meer kracht dan nodig is. Hierdoor wordt de werking alleen maar langzamer en raakt de motor overbelast.

1. Start de motor. Zie *Product starten op pagina 100*.
2. Laat het motortoerental oplopen naar het maximale toerental voordat de boorbit contact maakt met het oppervlak.
3. Druk de boorbit met gebruik van de toevoerhendel in het oppervlak.

4. Als u door wapeningszijzer boort, gebruik dan meer begindruk en een lagere versnelling dan wanneer er geen wapeningszijzer zou zijn.
5. Oefen om te beginnen een zeer geringe druk uit om de boorbit in de juiste positie te houden.
6. Zorg er tijdens bedrijf voor dat het water al het afvalmateriaal uit het boorgat verwijdert. Pas de waterdruk indien nodig aan.
7. Stop de motor. Zie *Product stoppen op pagina 101*.

Product stoppen



WAARSCHUWING: De boorbit blijft nog even draaien nadat de motor is gestopt. Stop de boorbit niet met uw handen. Er kan letsel optreden.

1. Zet de AAN/UIT-schakelaar op 0 om het product te stoppen. (Fig. 26)
2. Wacht tot de boorbit volledig tot stilstand is gekomen.

De beveiliging tegen overbelasting van de motor resetten

1. Stop het product. Zie *Product stoppen op pagina 101*.
2. Verwijder de verstopping uit de boorbit.
3. Start het product. Zie *Product starten op pagina 100*.

De boorbit vervangen



WAARSCHUWING: Trek de stekker uit het stopcontact voordat u de boorbit vervangt.

Let op: Gebruik alleen diamantboorbits die zijn goedgekeurd voor uw product. Neem voor meer informatie contact op met uw Husqvarna-dealer.

1. Zorg ervoor dat u een nieuw boorbit, 2 sleutels en waterbestendig vet ter beschikking hebt.
2. Gebruik de sleutels om de boorbit te verwijderen. (Fig. 27)
3. Smeer de schroefdraad van het gereedschap in met waterbestendig vet.
4. Gebruik de sleutels om de nieuwe boorbit te bevestigen.

Onderhoud

Inleiding



WAARSCHUWING: Zorg dat u het hoofdstuk over veiligheid hebt gelezen en begrepen voordat u onderhoud aan het product gaat uitvoeren.




WAARSCHUWING: Koppel de voedingskabel los voordat u onderhoud uitvoert om letsel te voorkomen.

Onderhoudsschema

* = Algemeen onderhoud uit te voeren door de gebruiker. De instructies zijn niet opgenomen in deze gebruikershandleiding.

X = De instructies zijn opgenomen in deze gebruikershandleiding.

O = Neem contact op met een Husqvarna-servicewerkplaats.

Onderhoud	Voor elk gebruik	Na elk gebruik	Elke dag	Na de eerste 100 uur	Na elke 300 uur
Controleer of de beweegbare onderdelen goed werken en vrij kunnen bewegen.	*				
Zorg ervoor dat het snijgereedschap scherp en schoon is.	*				
Controleer of de PRCD correct werkt.					
 WAARSCHUWING: Niet van toepassing op 110V-modellen die worden verkocht in het Verenigd Koninkrijk en Ierland. Zie <i>PRCD op pagina 98</i> .	X				
Controleer het netsnoer, andere kabels en de stekker op beschadiging.	*	*			
Zorg ervoor dat de handgrepen en grijpoppervlakken droog, schoon en vrij van olie en vet zijn.	*	*			
Controleer of het product schoon is.	X	X			
Controleer de aafdichtingen op beschadiging/waterlekage.		X			
Controleer of de moeren en schroeven goed zijn vastgedraaid.			*		
Controleer of de AAN/UIT-schakelaar goed werkt.			X		
Ververs de tandwielolie.				O	
Inspecteer de koolborstels op beschadiging.					X

Product reinigen



OPGELET: Zorg ervoor dat er geen water in de motor of de tandwielkast terecht komt.



OPGELET: Gebruik geen stromend water om het product te reinigen.

- Gebruik een droge of vochtige doek om het product te reinigen.
- Verwijder blokkades van alle luchtopeningen. Een geblokkeerde luchtinlaat leidt tot verminderde prestaties van het product en kan leiden tot oververhitting van de motor.
- Reinig en smeer de schroefdraad van de spilas.

Onderhoud van de diamantboorbit

- Zorg ervoor dat de segmenten van de diamantgereedschappen scherp zijn. Slijp botte diamantsegmenten met een SiC-slijpsteen.
- Zorg ervoor dat er geen trilling in de boorbit is. Als er trillingen in de boorbit zijn, kunnen de diamantsegmenten losraken.
- Zorg ervoor dat de diamantsegmenten in voldoende mate groter zijn dan de binnen- en buitendiameter van de boorbitbuis.
- Smeer de schroefdraad van de boorbit in met waterbestendig vet. Dit maakt het eenvoudiger om het gereedschap los te maken.
- Zorg ervoor dat de radiale uitloop bij de diamantsegmenten van de boorbit niet meer dan 1 mm bedraagt.

De tandwielolie verversen



OPGELET: Als er tandwielolie lekt, stopt u het product en neemt u contact op met een erkend servicecentrum. Het tandwiel raakt beschadigd als het tandwieloliepeil niet voldoende is.

- Laat een erkend Husqvarna-servicecentrum de tandwielolie vervangen.

De wateraansluiting controleren



OPGELET: Als er water uit de ring van de wateraansluiting lekt, moeten de

asafdichtingen onmiddellijk worden vervangen.

- Laat een erkend Husqvarna-servicecentrum de wateraansluiting repareren.

Koolborstels controleren

1. Verwijder de 4 schroeven waarmee de afdekking voor de koolborstels bevestigd zijn. Gebruik een platte, brede schroevendraaier. (Fig. 28)
2. Controleer de koolborstels. Het slijtagegebied moet glad en onbeschadigd zijn.
3. Laat indien nodig een erkend Husqvarna-servicecentrum de koolborstels vervangen.

Probleemoplossing

Probleemoplossingsschema

Als u in deze bedieningshandleiding geen oplossing voor uw probleem kunt vinden, neem dan contact op met uw Husqvarna-servicewerkplaats.

Probleem	Stappen die u onmiddellijk moet uitvoeren	Mogelijke oorzaak	Oplossing	
Het product start niet wanneer de AAN/UIT-schakelaar op 1 staat.	Zet de AAN/UIT-schakelaar op 0.	Als er een rood lampje brandt op de PRCD, is de stroom onderbroken.	Druk op de RESET-knop op de PRCD. Als de PRCD de stroom weer onderbreekt, neem dan contact op met een erkend Husqvarna-servicecentrum.	
Het product stopt.		Er is een storing in de stroombron. De stroom is onderbroken door Elgard.	Controleer de stroombron.	
		De boorbit is geblokkeerd. De stroom is onderbroken door Elgard.	Draai de boorbit naar rechts en links, gebruik een sleutel. Verwijder het product voorzichtig uit het boorgat.	
		Een te hoge belasting veroorzaakt overbelasting van de motor. De stroom is onderbroken door Elgard.	Zorg ervoor dat de boorbit gemakkelijk in het boorgat kan worden gedraaid.	
		Als er een rood lampje brandt op de PRCD, is de stroom onderbroken.	Druk op de RESET-knop op de PRCD. Als de PRCD de stroom weer onderbreekt, neem dan contact op met een erkend Husqvarna-servicecentrum.	
Het product gaat niet verder in het oppervlak, de snelheid neemt af en het product stopt.		Zet de AAN/UIT-schakelaar op 0.	De diamantsegmenten zijn bot.	Slijp de diamantsegmenten met een SiC-slijpsteen.
Ongewenst materiaal verzamelt zich rond het gat tijdens het gebruik.			De waterdruk is te laag.	Verhoog de waterdruk. Zie <i>Technische gegevens op pagina 106</i> .
De diamantsegmenten op de boorbit worden uit hun binding getrokken.			Er zijn veel trillingen in het product tijdens het gebruik.	Gebruik de juiste belasting wanneer u het product bedient.
Tandwielolie lekt.	Afdichtingen zijn versleten en moeten worden vervangen.		Neem contact op met een erkend Husqvarna-servicecentrum.	
Er lekt water uit het gat op de ring van de wateraansluiting.	De asafdichtingen zijn defect.		Neem contact op met een erkend Husqvarna-servicecentrum. Gebruik altijd schoon water.	
Het product werkt niet gelijkmatig.	Verminder de kracht.		Een te hoge belasting veroorzaakt overbelasting van de motor.	Gebruik minder kracht wanneer u boort.

Transport en opslag

- Trek de stekker uit het stopcontact voordat u het product vervoert of opbergt.
- Verwijder de boorbit voordat u het product vervoert of opbergt. Hiermee voorkomt u schade aan het product en de boorbits.
- Bewaar het product in een afgesloten ruimte om toegang door kinderen of onbevoegde personen te verhinderen.
- Bewaar het product in een droge en vorstvrije ruimte.
- Zet het product tijdens het vervoer veilig vast om schade en ongevallen te voorkomen.

Technische gegevens

Technische gegevens

Gegevens	DM400			DM430		
Motor						
Elektromotor	Eenfasig			Eenfasig		
Nominale spanning, V	100-120, 110, 220-240			100-120, 110, 220-240		
Nominaal vermogen, W	3200			3200		
Rendement, W	2300			2300		
Nominale frequentie, Hz	50-60			50-60		
Nominale stroom, A						
100-120 V (VS, JP)	20			20		
110 V (VK, Ierland)	30			30		
220-240 V	15			15		
PRCD-stroom, A						
100-120V (US, JP)	6 mA			6 mA		
220-240 V	10 mA			10 mA		
Boorbit						
Max. boordiameter in beton, mm/ inch	350/14			450/18		
Min. boordiameter in beton, mm/ inch	55/2			100/4		
Gewicht, kg/lb	13,5/29,8			14,2/31,3		
Waterkoeling						
Wateraansluiting	Gardena			Gardena		
Maximale waterdruk, bar	3			3		
Gereedschapsaansluiting						
Spil Schroefdraad, JP/SE/RoW	A-stang/CRI 28/1 1/4" G			A-stang/CRI 28/1 1/4" G		
Stof en slib						
Boorbitdiameter voor gebruik van slibring, mm/inch	50-350/ 2-13,8			50-350/ 2-13,8		
Bedrijfsgegevens						
Overbrenging	1	2	3	1	2	3
Toerental spil, stationair, vollast, omw/min.	230	460	720	150	300	470

Gegevens	DM400			DM430		
	Toerental spil, stationair, nullast, omw/min.	420	820	1250	250	510
Boordiameter in beton, mm/inch	165-350/ 6,5-14	80-160/ 3-6	55-105/ 2-4	250-450/ 8-18	125-250/ 5-10	100-160/ 4-6
Aanbevolen watervolume, l/min	1,7-2,4	1,1-1,6	0,9-1,3	2,0-2,5	1,5-2,0	1,2-1,6

Geluidsemissiegegevens

Gegevens	DM400	DM430
Geluidsemissie		
Geluidsdrukniveau, dB(A)	92	92
Geluidsvermogensniveau, L _{WA} dB (A) ⁶	112	112

Geïntegreerde connectiviteit

Let op: Dit onderdeel is alleen van toepassing op producten die worden geleverd met geïntegreerde connectiviteit.

Radiospectrum BLE-technologie	DM400	DM430
Frequentiebanden voor het gereedschap, GHz	2,402-2,480	2,402-2,480
Maximaal overgebracht radiofrequentievermogen, dBm	4/2,5	4/2,5

Led-aanduidingen



OPGELET: Herhaalde overbelasting kan schade aan het product veroorzaken.

⁶ Geluidsemissie naar de omgeving gemeten als geluidsvermogen volgens EN 62841-3-6. Verwachte onzekerheidsmarge 3 dB(A).

Aanduiding op het product	Oorzaak	Mogelijke oplossing
Eén groene led.	Het gereedschap is aangesloten op netspanning en kan worden gebruikt.	NVT
	Het uitgangsvermogen is minder dan 50% van het beschikbare vermogen.	
Drie groene leds.	Het uitgangsvermogen ligt tussen 50% en 65% van het beschikbare vermogen.	
Drie groene leds.	Het uitgangsvermogen ligt tussen 65% en 80% van het beschikbare vermogen.	
Drie groene leds en één gele led.	Max. uitgangsvermogen. Het uitgangsvermogen is meer dan 80% van het beschikbare vermogen.	
3 groene leds, 1 gele led en 1 rode led.	Het systeem is overbelast.	Verlaag de belasting om inschakeling van de overbelastingsbeveiliging van de motor van Elgard™ te voorkomen.
Alle leds knipperen.	Overbelastingsbeveiliging van de motor van Elgard™ is ingeschakeld.	Verlaag de belasting om terug te keren naar de correcte werking.
	De overbelastingsbeveiliging van de motor van Elgard™ heeft de motor gestopt.	Zie <i>De beveiliging tegen overbelasting van de motor resetten op pagina 101.</i>
1 groene led knippert.	Smartstart™ is gestart.	Zie <i>Smartstart™ gebruiken op pagina 100.</i>

Accessoires

Accessoires

Accessoire	DM400		DM430	
	Vastzetten met vacuümplaat: OK	Anders vastzetten: OK	Vastzetten met vacuümplaat: OK	Anders vastzetten: OK
Boorstaf DS 500				
Slibring*	OK		OK	
Afdichtschijf*	OK		OK	
Rubberen ring, onderdeelnummer 598 72 14-01	OK		OK	
* Neem contact op met uw lokale servicewerkplaats voor meer informatie				

Goedgekeurd servicecentrum

Ga naar de website www.husqvarnacp.com om het dichtstbijzijnde erkende servicecentrum van Husqvarna Construction Products te vinden.

EG verklaring van overeenstemming

EU-verklaring van overeenstemming

Wij, **Husqvarna AB**, SE-561 82 Huskvarna, Zweden, tel:
+46-36-146500, verklaren onder onze
alleenverantwoordelijkheid dat het product:

Beschrijving	Draagbare diamantkernboor
Merk	Husqvarna
Type/model	DM400, DM430
Identificatie	Serienummers vanaf 2019 en verder

volledig voldoet aan de volgende EU-richtlijnen en -
regelgeving:

Richtlijn/Verordening	Beschrijving
2006/42/EC	"betreffende machines"
2014/53/EU	"betreffende radioapparatuur"

en dat de volgende geharmoniseerde normen en/of
technische specificaties zijn toegepast:

EN ISO 12100:2010

EN 62841-1:2014

EN 62841-3-6:2014+A11:2017

EN 55014-1:2017

EN 55014-2:2015

EN 61000-3-2:2014

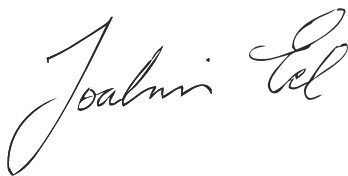
EN 61000-3-3:2013

ETSI EN 300 328 V2.1.1

ETSI EN 301 489-1 V2.2.0

ETSI EN 301 489-17 V3.2.0

Partille, 2019-12-08



Joakim Ed

Vice President, Concrete Sawing, Drilling & Light
Demolition

Husqvarna AB, Construction-divisie

Verantwoordelijk voor technische documentatie

Geregistreerde handelsmerken

Het *Bluetooth*[®]-woordmerk en de logo's zijn geregistreerde handelsmerken die eigendom zijn van *Bluetooth SIG, inc.* en het gebruik van deze merken door Husqvarna vindt plaats onder licentie.

INNHold

Innledning.....	112	Transport og oppbevaring.....	122
Sikkerhet.....	113	Tekniske data.....	123
Montering.....	117	Tilbehør.....	125
Drift.....	118	Service.....	125
Vedlikehold.....	120	EF-samsvarserklæring.....	126
Feilsøking.....	121	Registrerte varemærker.....	127

Innledning

Produktbeskrivelse

Denne Husqvarna-bormotoren er et transporterbart diamantkjernebor som skal brukes med et godkjent borestativ.

Diamantborkronen er et hult bor med diamantsegmenter. Vann går gjennom kuleventilen, slangen og diamantborkronen. Vannet skyller det utborede materialet ut av sporet og reduserer temperaturen i borkronen.

Denne produktet har Smartstart™. Se *Slik bruker du Smartstart™ på side 119*.

Noen modeller av dette produktet har innebygd tilkobling. Se *Innebygd tilkobling på side 112*.

Innebygd tilkobling

Den nettskybaserte administrasjonsløsningen Husqvarna Fleet Services™ gir flåtelederen oversikt over alle produkter som er koblet til via enten innebygde eller ettermonterte sensorer. Posisjonen til gatewayen eller smarttelefonen kan brukes for å angi plasseringen til tilkoblede produkter. Sensorene registrerer data som

Produktoversikt

(Fig. 1)

1. Borspindel
2. Hurtigutløsserskive
3. Lekkasjehull
4. Gardena-hannkobling med vannventil
5. Girvelger
6. Strømbryter
7. Håndtak
8. Smartstart™
9. LED-lamper som viser effekt
10. Elektronikkboks
11. Monteringsplate for Husqvarna-borestativ
12. Differensial strømledning

Merk: I denne bruksanvisningen bruker vi termen PRCD for PRCD og GFCL.

driftstid, serviceintervaller med mer. Hvis du vil ha mer informasjon om den nettskybaserte administrasjonsløsningen Husqvarna Fleet Services™, kan du laste ned iOS- eller Android-appen Husqvarna Fleet Services på <https://apps.apple.com/se/app/husqvarna-fleet-services/id1334672726> eller <https://play.google.com/store/apps/details?id=com.husqvarna.hfsmobile&hl=en>.

Noen typer av dette produktet kobles til via den innebygde Husqvarna Fleet Services™-sensoren som har funksjonen Bluetooth Low Energy (BLE). Hvis du ønsker mer bruksinformasjon, kan du se *Slik bruker du den innebygde tilkoblingen på side 118*. Se *Innebygd tilkobling på side 124* hvis du vil ha informasjon om radiospektrumet for BLE-teknologi.

Bruksområder

Produktet skal brukes til å bore i betong, stein, asfalt og murverk. Produktet skal ikke brukes på andre måter.

Produktet skal brukes i industrivirksomhet av brukere med erfaring.

13. Vannkobling
14. Skrunøkkel
15. Bruksanvisning

Symboler på produktet

(Fig. 2) ADVARSEL! Dette produktet kan være farlig og føre til alvorlig personskade eller død for brukeren eller andre. Vær forsiktig, og bruk produktet riktig.

(Fig. 3) Les bruksanvisningen nøye, og forsikre deg om at du forstår instruksjonene før du bruker produktet.

(Fig. 4) Bruk alltid godkjent personlig verneutstyr. Se *Personlig verneutstyr på side 116*.

- (Fig. 5) Dette produktet samsvarer med gjeldende EF-direktiver.
- (Fig. 6) **Miljømerke.** Produktet og produktemballasjen er ikke restavfall. Lever det til et godkjent gjenvinningsanlegg for elektrisk og elektronisk utstyr.
- (Fig. 7) Pass på at vann ikke kan lekke inn i produktet når du borer i tak. Bruk en egnet vannoppsamler.

Merk: Øvrige symboler/klistremerker på produktet gjelder spesielle sertifiseringskrav for enkelte markeder.

Produktansvar

Som nevnt i lovverket om produktansvar er vi ikke ansvarlig for skader som produktet vårt forårsaker, i følgende tilfeller:

- Produktet er reparert på feil måte.
- Produktet er reparert med deler som ikke kommer fra produsenten eller som ikke er godkjent av produsenten.
- Produktet har et tilbehør som ikke kommer fra produsenten eller som ikke er godkjent av produsenten.
- Produktet er ikke reparert på et godkjent servicesenter eller av en godkjent aktør.

Sikkerhet

Sikkerhetsdefinisjoner

Advarsler, oppfordringer og merknader brukes for å understreke spesielt viktige deler av bruksanvisningen.



ADVARSEL: Brukes hvis det er fare for personskade eller død for brukeren eller andre personer om instruksjonene i håndboken ikke følges.



OBS: Brukes hvis det er fare for skade på produktet, annet materiell eller nærliggende områder om instruksjonene i håndboken ikke følges.

Merk: Brukes for å gi mer nødvendig informasjon for en spesifikk situasjon.

Generelle sikkerhetsadvarsler for elektroverktøy



ADVARSEL: Les alle sikkerhetsadvarsler, -instruksjoner, -illustrasjoner og spesifikasjoner som fulgte med dette elektroverktøyet. Hvis du ikke følger alle instruksjonene som er angitt nedenfor, kan det føre til elektrisk støt, brann og/eller alvorlige skader.

Ta vare på alle advarsler og instruksjoner for fremtidig bruk. Begrepet «el-verktøy» i advarslene referer til elektrisk verktøy som drives av nettstrøm (med ledning) eller batteri (uten ledning).

Sikkerhet i arbeidsområdet

- **Hold arbeidsområdet rent og godt opplyst.** Rot og dårlig opplyste områder kan lett føre til ulykker.
- **Bruk ikke elektroverktøy i eksplosiv atmosfære, for eksempel der det finnes brennbare væsker, gasser**

eller støv. Elektroverktøy danner gnister som kan antenne støv eller gasser.

- **Hold barn og andre tilskuere på avstand når elektroverktøyet er i bruk.** Distraksjoner kan føre til at du mister kontrollen.

Elektrisk sikkerhet

- **Støpselet til elektroverktøyet må passe til stikkontakten. Du må aldri modifisere støpselet på noen måte. Adapterpluggen må ikke brukes sammen med et jordet elektroverktøy.** Når støpselet/pluggen ikke er modifisert og stikkontakten passer, vil dette redusere faren for elektrisk støt.
- **Unngå kroppskontakt med jodede flater, for eksempel rør, radiatorer, komfyrer og kjøleskap.** Faren for elektrisk støt øker hvis kroppen til brukeren er jordet.
- **Elektroverktøy må ikke utsettes for regn eller fuktighet.** Hvis det kommer vann inn i elektroverktøyet øker faren for elektrisk støt.
- **Ledningen må håndteres forsiktig. Bruk aldri ledningen til å bære eller trekke noe, eller til å trekke ut støpselet. Hold ledningen unna varme, olje, skarpe kanter og bevegelige deler.** Skadet eller sammenflokete ledninger øker faren for elektrisk støt.
- **Når elektroverktøyet brukes utendørs, må det brukes en skjøtledning som er egnet for bruk utendørs.** Bruk av ledning for utendørs bruk reduserer faren for elektrisk støt.
- **Hvis elektroverktøyet må brukes på et fuktig sted, bør det være koblet til en strømkrets som er beskyttet av jordfeilbryter.** Bruk av jordfeilbryter reduserer faren for elektrisk støt.

Personlig sikkerhet

- **Vær oppmerksom, følg med på det du gjør, og utvis sunn fornuft når du bruker elektroverktøyet. Ikke bruk elektroverktøy hvis du er trett eller påvirket av narkotika, alkohol eller legemidler.** Et øyeblikk

uoppmerksomhet ved bruk av elektroverktøy kan føre til alvorlig personskade.

- **Bruk personlig verneutstyr. Bruk alltid vernebriller.** Bruk av verneutstyr som støvmaske, vernesko med antisklisåle, hjelm og hørselvern der det kreves, reduserer faren for personskade.
- **Unngå utilsiktet oppstart. Forsikre deg om at bryteren står i av-stillingen før du kobler til strømforsyningen og/eller batteripakken, tar opp verktøyet eller bærer verktøyet.** Hvis du bærer verktøyet med en finger på bryteren eller med elektroverktøyet påslått, kan det lett føre til ulykker.
- **Fjern eventuelle justeringsnøkler før du slår på elektroverktøyet.** En nøkkel som sitter på en roterende del av elektroverktøyet, kan føre til personskade.
- **Ikke strékk deg for langt. Hold alltid føttene på bakken og en balansert stilling.** Dette gir deg bedre kontroll over elektroverktøyet i uventede situasjoner.
- **Bruk egnede klær. Bruk ikke løstsittende klær eller smykker. Hold hår og klær borte fra bevegelige deler.** Løstsittende klær, smykker eller langt hår kan sette seg fast i bevegelige deler.
- **Hvis apparatet er forsynt med tilkobling for støvsuger eller oppsamlar, må du forsikre deg om at disse er riktig tilkoblet og brukes på riktig måte.** Bruk av støvoppsamlar kan redusere faren for støvrelaterte skader.
- **Selv om du har lang erfaring med bruk av elektroverktøy, må du ikke bli uforsiktig eller ignorere sikkerhetsreglene.** En uforsiktig handling kan føre til alvorlig personskade i løpet av en brøkdel av et sekund.

Bruk og vedlikehold av elektroverktøy

- **Bruk ikke makt på elektroverktøyet. Bruk riktig elektroverktøy for arbeidet som skal utføres.** Riktig elektroverktøy gjør jobben på en bedre og sikrere måte i den hastigheten det er konstruert for.
- **Bruk ikke elektroverktøyet hvis bryteren ikke lar seg slå på og av.** Elektroverktøy som ikke kan kontrolleres med bryteren, er farlig, og må repareres.
- **Koble støpselet fra strømforsyningen og/eller batteripakken fra elektroverktøyet, hvis den er avtakbar, før du foretar justeringer, skifter tilbehør eller lagrer elektroverktøyet.** Slike forebyggende sikkerhetstiltak reduserer faren for at elektroverktøyet starter ved et uhell.
- **Elektroverktøy som ikke er i bruk, må oppbevares utilgjengelig for barn. La ikke elektroverktøyet brukes av personer som ikke er kjent med elektroverktøyet eller disse instruksjonene.** Elektroverktøy er farlige når de brukes av uerfarne brukere.
- **Vedlikehold elektroverktøy og tilbehør. Kontroller justeringen av bevegelige deler, samt at de ikke sitter fast. Kontroller at det ikke finnes ødelagte deler eller andre feil som kan påvirke bruken av elektroverktøyet.** Hvis elektroverktøyet er skadet, må

det repareres før bruk. Mange ulykker forårsakes av dårlig vedlikeholdt elektroverktøy.

- **Hold skjæreverktøy skarpe og rene.** Riktig vedlikeholdte skjæreverktøy med skarpe skjærekanter har mindre fare for å sette seg fast, og er lettere å kontrollere.
- **Bruk elektroverktøyet, tilbehør og verktøybitt osv. i henhold til disse instruksjonene, og i forhold til arbeidsforholdene og arbeidet som skal utføres.** Bruk av elektroverktøy til andre oppgaver enn dem de er laget for, kan føre til farlige situasjoner.
- **Hold håndtakene og gripeflatene tørre, rene og frie for olje og fett.** Glatte håndtak og gripeflater gjør trygg håndtering og kontroll av verktøyet i uventede situasjoner umulig.

Service

- **La en kvalifisert tekniker/reparatør utføre service, og gjøre eventuelle utskiftninger kun med identiske reservedeler.** Dette sikrer at elektroverktøyet sikkerhet opprettholdes.

Sikkerhetsadvarsler for diamantverktøy

- **Når du utfører boring som krever bruk av vann, må du lede vannet bort fra arbeidsområdet eller bruke en væskeoppsamlingsenhet.** Slike forholdsregler gjør at du holder arbeidsområdet tørt, og reduserer faren for elektrisk støt.
- **Hold det elektriske verktøyet i de isolerte gripeflatene når du utfører en operasjon der kappetilbehøret kan komme i kontakt med skjulte ledninger eller sin egen ledning.** Kappetilbehør som kommer i kontakt med en strømførende ledning, kan gjøre blottlagte metalldeleer på det elektriske verktøyet strømførende, og dette kan gi brukeren elektrisk støt.
- **Bruk hørselvern ved boring med diamantverktøy.** Eksponering for støy kan føre til hørselsskade.
- **Hvis borkronen sitter fast, må du slutte å påføre trykk nedover, og slå av verktøyet.** Undersøk og iverksett korrigerende tiltak for å eliminere årsaken til at borkronen setter seg fast.
- **Hvis du vil prøve å bore med diamantverktøyet på nytt, må du kontrollere at borkronen roterer fritt før du starter.** Hvis borkronen sitter fast, kan det hende at produktet ikke starter, at verktøyet overbelastes, eller det kan føre til at diamantverktøyet løsner fra arbeidsstykket.
- **Når du sikrer borestativet til arbeidsstykket med ankere og festeanordninger, må du kontrollere at forankringen som brukes, er i stand til å holde maskinen under bruk.** Hvis arbeidsstykket er svakt eller porøst, kan ankeret bli trukket ut, noe som igjen kan forårsake at borestativet løsner fra arbeidsstykket.
- **Når du sikrer borestativet til arbeidsstykket med en vakuumpate, må du montere platen på en jevn, ren og ikke-porøs overflate. Unngå laminerte overflater, for eksempel filiser og komposittbelegg.** Hvis

arbeidsstykket ikke er jevnt, flatt eller godt festet, kan platen trekke seg bort fra arbeidsstykket.

- **Sørg for at det er tilstrekkelig vakuüm før og under boring.** Ved tilstrekkelig vakuüm kan platen løse fra arbeidsstykket.
- **Du må aldri utføre boring med maskinen sikret kun med vakuümplaten, unntatt ved boring nedover.** Hvis vakuümet forsvinner, løsner platen fra arbeidsstykket.
- **Når du borer gjennom vegger eller tak, må du sørge for å beskytte personer og arbeidsområdet på den andre siden.** Borkronen kan komme ut på den andre siden, eller kjernen kan falle ut på den andre siden.
- **Når du borer over hodehøyde, må du alltid bruke en væskeoppsamlingsenhet som angitt i instruksjonene. Ikke la vann renne inn i verktøyet.** Hvis det kommer vann inn i elektroverktøyet, øker faren for elektrisk støt.

Generelle sikkerhetsinstruksjoner



ADVARSEL: Les de følgende advarselinstruksjonene før du bruker produktet.

- Dette produktet er et farlig verktøy hvis du ikke er forsiktig, eller hvis du bruker produktet på feil måte. Dette produktet kan føre til alvorlig personskade eller død for operatøren eller andre. Før du bruker dette produktet, må du ha lest og forstått innholdet i denne bruksanvisningen.
- Ta vare på alle advarsler og instruksjoner.
- Følg alle gjeldende lover og forskrifter.
- Operatøren og operatørens arbeidsgiver må kjenne til og forhindre risiko som bruk av produktet medfører.
- Ikke la en person bruke produktet med mindre de har lest og forstått innholdet i bruksanvisningen.
- Ikke bruk produktet med mindre du har fått opplæring før bruk. Pass på at alle brukerne får opplæring.
- Ikke la barn bruke produktet.
- Bare la godkjente personer bruke produktet.
- Brukeren er ansvarlig for ulykker som personer eller eiendeler utsettes for.
- Ikke bruk produktet dersom du er trett eller syk eller under påvirkning av alkohol, andre rusmidler eller medisiner.
- Vær alltid forsiktig, og bruk sunn fornuft.
- Dette produktet danner et elektromagnetisk felt når det er i bruk. Dette feltet kan under visse forhold forstyrre aktive eller passive medisinske implantater. For å redusere faren for alvorlig eller livstruende personskade anbefaler vi at personer med medisinske implantater rådfører seg med legen sin og produsenten av det medisinske implantatet før de bruker dette produktet.
- Hold produktet rent. Sørg for at du kan lese skilt og merker.

- Ikke bruk produktet hvis det er defekt.
- Ikke modifier dette produktet.
- Ikke bruk produktet hvis det er fare for at andre personer har modifisert produktet.

Bruk alltid sunn fornuft



ADVARSEL: Du skal ikke under noen omstendigheter endre den opprinnelige konstruksjonen til produktet uten godkjenning fra produsenten. Bruk alltid originale reservedeler. Uautoriserte endringer og/eller tilleggsutstyr kan føre til alvorlige skader eller dødsfall for brukeren eller andre.



ADVARSEL: Bruk av produkter som kappere, slipeapparater og bor som sliper eller former materiale, kan generere støv og damp som kan inneholde farlige kjemikalier. Sjekk materialtypen du skal arbeide med, og bruk egnet åndedrettsvern.

Det er umulig å dekke alle tenkelige situasjoner du kan stilles overfor ved bruk av dette produktet. Vær alltid forsiktig og bruk sunn fornuft. Unngå situasjoner du ikke føler deg tilstrekkelig kvalifisert for. Hvis du etter å ha lest disse instruksjonene fortsatt føler deg usikker vedrørende bruken, skal du rådføre deg med en ekspert før du fortsetter.

Ikke nøl med å kontakte Husqvarna-forhandleren hvis du har flere spørsmål om bruken av produktet. Vi står gjerne til tjeneste for å gi råd eller hjelpe deg med å bruke produktet både effektivt og sikkert.

Få Husqvarna-forhandleren til regelmessig å kontrollere produktet og utføre nødvendige justeringer og reparasjoner.

Husqvarna Construction Products etterstreber å forbedre produktenes konstruksjon løpende. Husqvarna forbeholder seg derfor retten til å innføre konstruksjonsendringer uten varsel og ytterligere forpliktelse.

All informasjon og alle data i bruksanvisningen var gjeldende på datoen da denne bruksanvisningen ble levert til trykking.

Sikkerhetsinstruksjoner for drift



ADVARSEL: Les de følgende advarselinstruksjonene før du bruker produktet.

- Ikke bruk produktet hvis du ikke kan få hjelp hvis det skjer en ulykke.
- Ikke bruk produktet i dårlig vær, for eksempel tåke, regn, sterk vind, kraftig kulde og lignende forhold. Farlige forhold, for eksempel glatte overflater, kan oppstå på grunn av dårlig vær.

- Hold utkikk etter personer, objekter og situasjoner som kan forhindre sikker bruk av produktet.
- Når boret peker opp under drift, må du alltid bruke en egnet beholder til å samle opp vannet.
- Fest alltid produktet til et egnet borestativ før bruk. Se *Tilbehør på side 125*.
- Sørg for at du alltid kan stoppe motoren raskt i en nødsituasjon.
- Forsikre deg om at det ikke går rør eller elektriske kabler i området der hullet skal lages.
- Hvis produktet ikke fungerer som det skal, må du stoppe motoren.
- Sørg for at du står trygt og stabilt under bruk.
- Hold avstand fra borkronen når motoren er i gang.
- Ikke forlat produktet når motoren er på.
- Koble alltid fra strømledningen før du forlater produktet.
- Hold alle deler i god stand, og sørg for at alle festepunkter er skikkelig strammet.
- Hvis det oppstår vibrasjoner i produktet eller støynivået fra produktet er uvanlig høyt, må du stoppe produktet umiddelbart. Kontroller produktet for skader. Reparer skader, eller la et godkjent serviceverksted utføre reparasjon.
- Bruk alltid godkjente tilbehør. Kontakt forhandleren for mer informasjon.

Personlig verneutstyr



ADVARSEL: Les de følgende advarselinstruksjonene før du bruker produktet.

- Bruk alltid egnet personlig verneutstyr når du bruker produktet. Det personlige verneutstyret fjerner ikke risikoen for skader. Det personlige verneutstyret reduserer skadeomfanget hvis det skjer en ulykke. Spør forhandleren din om hjelp til å velge riktig utstyr.
- Bruk alltid et godkjent øyevern når du bruker produktet.
- Ikke bruk løse, tunge eller uegnede klær. Bruk klær som lar deg bevege deg fritt.
- Bruk godkjente vernehansker med godt grep.
- Bruk beskyttende gummihansker som forebygger hudirritasjon fra våt betong.
- Bruk godkjent vernehjelm.
- Bruk alltid godkjent hørselsvern når du bruker produktet. Støy over en lang periode kan forårsake støyrelatert hørselsskade.
- Produktet danner støv og avgasser som inneholder farlige stoffer. Bruk godkjent åndedrettsvern.
- Bruk støvler med ståltupp og sklisikker såle.
- Sørg for at du har et førstehjelpssett i nærheten.
- Gnister kan oppstå når du bruker produktet. Sørg for at du har et brannslukningsapparat i nærheten.

Sikkerhetsutstyr på produktet



ADVARSEL: Les de følgende advarselinstruksjonene før du bruker produktet.

- Bruk aldri et produkt med defekt sikkerhetsutstyr! Hvis produktet ikke består alle kontrollene, må et serviceverksted oppsøkes for reparasjon.
- Bruk ikke produktet hvis beskyttelsesplater/-deksler, sikkerhetsbrytere eller andre sikkerhetsinnretninger ikke er festet eller er defekte.

Overlastvern, Elgard™

Overlastvernet aktiveres hvis motoren har for høy belastning, eller hvis borkronen ikke kan bevege seg fritt.

Overlastvernet gjør at motoreffekten reduseres og økes i korte intervaller i noen sekunder. Hvis du ikke deretter reduserer effekten, stopper motoren. Se *Slik tilbakestill du overbelastningsvernet på side 119*.

Belastningsindikator



OBS: Produktet kan bli skadet hvis det overbelastes gjentatte ganger.

Produktet har indikatorlamper som viser belastningen på motoren. Se *LED-indikasjoner på side 124*.

Differensial strømledning



ADVARSEL: Gjelder ikke for 110 V-type solgt i Storbritannia og Irland. Storbritannia og Irland: Ikke bruk 110 V-typen av produktet uten en skilletransformator. Se EN/IEC 61558-1 og EN/IEC 61558-2-23. Skilletransformatoren må ha en jordledning på sekundærsiden.



ADVARSEL: Ikke legg PRCD-en i vann.



ADVARSEL: Før du bruker produktet, må du alltid sjekke PRCD-en. Se *Slik undersøker du PRCD-en på side 117*.

Produktet har en PRCD installert på strømledningen. PRCD-en er for beskyttelse og kobles inn hvis det oppstår en elektrisk feil. Se *Tekniske data på side 123* for informasjon om hvilken strømstyrke PRCD-en kobles inn ved.

Det røde lyset indikerer at PRCD-en er på, og at produktet kan startes. Hvis den røde lampen ikke lyser, trykker du på RESET-knappen (Tilbakestill).

(Fig. 8)

Slik undersøker du PRCD-en



ADVARSEL: Gjelder ikke for 110 V-type solgt i Storbritannia og Irland. Se *Differensial strømledning på side 116*.



ADVARSEL: PRCD-en må undersøkes hver gang støpselet er koblet til et strømuttak.



ADVARSEL: Hvis PRCD-en må repareres, må du alltid ta kontakt med et godkjent Husqvarna-serviceverksted.

1. Koble støpselet på produktet til et strømuttak.
2. Trykk på RESET-knappen (Tilbakestill). Indikatorlampen over knappen er rød når strømmen er koblet til.
3. Start produktet. Se *Slik starter du produktet på side 119*.
4. Trykk på TEST-knappen. Hvis produktet stopper, så fungerer PRCD-en som den skal. (Fig. 9)

Strømbryter

Strømbryteren brukes til å starte og stoppe produktet.

(Fig. 10)

Slik undersøker du strømbryteren

1. Koble støpselet på produktet til strømmettet.
2. Sett strømbryteren til 1 for å starte produktet.
3. Sett strømbryteren til 0 for å stoppe produktet.

Friksjonsclutch

Friksjonsclutchen er integrert i produktets girkasse. Den forhindrer skade på produktet hvis borkronen stopper

under drift. Hvis belastningen er for høy, løses friksjonsclutchen ut og stopper borspindelen, men holder motoren i gang i noen sekunder. Friksjonsclutchen kobles inn igjen hvis belastningen reduseres og driften kan fortsette. Hvis borkronen sitter fast i materialet og stopper helt, stopper friksjonsclutchen motoren umiddelbart.



OBS: Kontroller at utløsertiden for kløtsjen ikke er på mer enn 3–4 sekunder. En lengre utløsertid vil gi økt slitasje og varme.

Sikkerhetsinstruksjoner for vedlikehold



ADVARSEL: Inspeksjon og/eller vedlikehold må utføres mens motoren er slått av og støpselet er trukket ut.

- Vedlikehold elektroverktøy og tilbehør. Kontroller for feil innretting av bevegelige deler, samt at de ikke sitter fast, brudd på deler eller andre tilstander som kan påvirke elektroverktøyet funksjon. Hvis elektroverktøyet er skadet, må det repareres før bruk. Mange ulykker forårsakes av dårlig vedlikeholdt elektroverktøy.
- Hold skjæreverktøy skarpe og rene. Riktig vedlikeholdte skjæreverktøy med skarpe skjærekanten har mindre fare for å sette seg fast, og er lettere å kontrollere.
- La en kvalifisert tekniker/reparatør utføre service og gjøre eventuelle utskiftninger kun med identiske reservedeler. Dette sikrer at elektroverktøyet sikkerhet opprettholdes.

Montering

Innledning



ADVARSEL: Les og forstå kapittelet om sikkerhet før du monterer produktet.



ADVARSEL: For å unngå skader må du koble fra strømledningen og fjerne borkronen før montering.



OBS: Les bruksanvisningen for borestativet nøye.

- Hvis du vil feste produktet til et borestativ, må du se i bruksanvisningen for borestativet.
- Produktet skal bare brukes med godkjente Husqvarna-borestativ. Se *Tilbehør på side 125*.

Dette må du gjøre før du bruker produktet

1. Les nøye gjennom bruksanvisningen, og sørg for at du har forstått instruksjonene.
2. Les gjennom bruksanvisningen for borestativet nøye, og sørg for at du har forstått instruksjonene.
3. Bruk personlig verneutstyr. Se *Personlig verneutstyr på side 116*.
4. Kontroller at den nominelle spenningen i stikkkontakten er den samme som spenningen i produktet.
5. Sørg for at arbeidsområdet er rent og lyst.
6. Kontroller at produktet er riktig montert. Borkronen og borestativet må være riktig festet. (Fig. 11)
7. Ved invertert boring må du passe på at du følger de gjeldende instruksjonene. Se *Slik klargjør du produktet for invertert boring på side 118*.
8. Kontroller at vannsystemet ikke er skadet, og at det er koblet til produktet.
9. Utfør daglig ettersyn. Se *Vedlikeholdsskjema på side 120*.
10. Kontroller at PRCD-en er startet. Se *Differensial strømledning på side 116* og *Slik undersøker du PRCD-en på side 117*.

Slik bruker du den innebygde tilkoblingen

Merk: Denne delen gjelder bare for produkter som leveres med innebygd tilkobling.

Merk: Radiooverføring via Bluetooth®-funksjonen aktiveres ved første kobling til et strømuttak og blir værende på etter det.

1. Last ned iOS- eller Android-appen Husqvarna Fleet Services.
2. Gå til nettstedet for Husqvarna Fleet Services, <https://fleetservices.husqvarna.com>, hvis du vil ha mer informasjon.

Slik klargjør du produktet for invertert boring



ADVARSEL: Bruk alltid en slamring med en tetningsskive og en gummipakning under invertert boring. Vann som kommer inn i produktet, øker faren for elektrisk støt.

1. Rengjør toppen av slamringen. Alt av fett og smuss må fjernes.

2. Fest dobbeltsidig tape eller bruk sprøytelim rundt den øverste åpningen på slamringen (A). Sett tetningsskiven på den øverste åpningen som et deksel (B). Kontroller at den sitter godt på plass. (Fig. 12)
3. Se etter dimensjonen på kjerneboret øverst på boret. (Fig. 13)
4. Skjær et hull i tetningsskiven, med en størrelse som samsvarer med dimensjonen på kjerneboret. (Fig. 14)
5. Fest gummipakningen på hurtigutlørs skiven på borspindelen. (Fig. 15)
6. Koble slamoppsamleren til koblingen på slamringen. (Fig. 16)
7. Sett slamringen på borspindelen (C). Monter borkronen på borspindelen (D). (Fig. 17)
8. Start slamoppsamleren.
9. Løft borkronen mot taket. Fest slamringen i taket. (Fig. 18)

Slik kobler du til og åpner vannforsyningen



OBS: Sørg for at det maksimale vanntrykket ikke er for høyt. Se *Tekniske data på side 123*.



OBS: Bruk bare rent vann for å forhindre at smuss forårsaker en blokkering i vannsystemet.



OBS: Bruk bare en godkjent vannforsyningskobling. Kontakt forhandleren for mer informasjon.

1. Koble kuleventilen til vannforsyningen (A). (Fig. 19)
2. Åpne vannsystemet (B). Still inn vanntrykket for å fjerne alt avfallsmateriale fra borehullet.

Slik reduserer du motortemperaturen

- Bruk produktet uten belastning i to minutter for å redusere motortemperaturen.

Slik skifter du gir



OBS: Skift bare gir når motorturtallet reduseres eller hvis motoren stopper. Ikke bruk makt for å skifte gir.

- Sørg for at du alltid bruker riktig turtall i forhold til borkronediameteren. Se typeskiltet på produktet eller *Tekniske data på side 123*.

- Drei girvelgeren for å skifte gir. (Fig. 20)

Slik bruker du Smartstart™

Smartstart™-funksjonen reduserer turtallet på motoren. Dette gjør det enklere å lage et starthull.

1. Start motoren. Pass på at boret ikke berører materialet.
2. Trykk på Smartstart™-knappen (A) én gang. Turtallet reduseres, og den første grønne indikatorlampen blinker mens Smartstart™-funksjonen er på. (Fig. 21)
3. Bor et starthull i materialet.
4. Trykk på Smartstart™-knappen (A) igjen. Turtallet økes tilbake til vanlig turtall.

Turtallet økes automatisk tilbake til vanlig turtall 1 minutt etter start av Smartstart™-funksjonen hvis det ikke trykkes på Smartstart™-knappen (A) igjen.

Merk: Bruk Smartstart™-funksjonen bare når du skal starte et hull. Effekten vil være svært redusert hvis den brukes under vanlig drift.

Slik starter du produktet



ADVARSEL: Pass på at borkronen kan rotere fritt. Den begynner å rotere når motoren starter.



ADVARSEL: Hvis dette er første gang du starter produktet for dagen, må du sjekke PRCD-en. Se *Slik undersøker du PRCD-en på side 117*.

1. Trykk på RESET-knappen (Tilbakestill) på PRCD-en. (Fig. 22)
2. Still inn driftshastigheten ved å dreie borspindelen og samtidig flytte på girvelgeren. Sett girvelgeren i riktig posisjon for den aktuelle bruken. (Fig. 23)
3. Kontroller at vannsystemet er åpent. (Fig. 24)
4. Sett strømbryteren til 1. (Fig. 25)

Slik bruker du produktet



ADVARSEL: Hvis PRCD-en aktiveres, tar du borkronen ut av hullet før du trykker på RESET (Tilbakestill).



ADVARSEL: Farlige ulykker kan inntreffe hvis betongkjernen forblir i borkronen når du tar borkronen ut av hullet.



ADVARSEL: Når du bruker et borestativ, må du bruke elektroverktøyet via de isolerte gripeflatene på borestativet.



OBS: Pass på at ingen gjenstander treffer borkronen.



OBS: Ikke bruk mer kraft enn nødvendig. Dette gjør at operasjonen går saktere, og forårsaker overbelastning av motoren.

1. Start motoren. Se *Slik starter du produktet på side 119*.
2. La motorturtallet øke til det maksimale turtallet før borkronen kommer i kontakt med overflaten.
3. Skyv borkronen mot overflaten ved hjelp av matespaken.
4. Hvis du borer gjennom armeringsjern, må du bruke større starttrykk og et lavere gir enn ellers.
5. Bruk svært lite kraft til å begynne med. Dette er for å holde borkronen i riktig posisjon.
6. Under drift må du passe på at vannet fjerner alt avfallsmateriale fra borehullet. Juster vanntrykket om nødvendig.
7. Stopp motoren. Se *Slik stopper du produktet på side 119*.

Slik stopper du produktet



ADVARSEL: Borkronen fortsetter å rotere en stund etter at motoren har stoppet. Ikke stopp borkronen med hendene. Dette kan føre til personskade.

1. Hvis du vil stoppe produktet, setter du strømbryteren til 0. (Fig. 26)
2. Vent til borkronen har stoppet helt.

Slik tilbakestill du overbelastningsvernet

1. Stopp produktet. Se *Slik stopper du produktet på side 119*.
2. Fjern blokkeringen fra borkronen.
3. Start produktet. Se *Slik starter du produktet på side 119*.

Slik skifter du ut borkronen



ADVARSEL: Trekk ut støpselet fra stikkkontakten før du byter ut borkronen.

Merk: Bruk bare diamantborkroner som er godkjent for ditt produkt. Kontakt Husqvarna-forhandleren din for mer informasjon.

1. Sørg for at du har en ny borkrone, to skrunøkler og vannbestandig fett.

2. Bruk skrunøkene for å fjerne borkronen. (Fig. 27)
3. Smør verktøygjengene med vannbestandig fett.

4. Bruk skrunøkene til å feste den nye borkronen.

Vedlikehold

Innledning



ADVARSEL: Les og forstå kapittelet om sikkerhet før du utfører vedlikehold på produktet.




ADVARSEL: For å unngå skader må du koble fra strømledningen før du utfører vedlikehold.

Vedlikeholdsskjema

* = generelt vedlikehold som utføres av brukeren. Instruksjonene finnes ikke forklart i denne bruksanvisningen.

X = instruksjonene blir forklart i denne bruksanvisningen.

O = Ta kontakt med et Husqvarna-serviceverksted.

Vedlikehold	Før hver bruk	Etter hver bruk	Daglig	Etter de første 100 timene	Etter hver 300. time
Kontroller at bevegelige deler fungerer som de skal, og beveger seg fritt.	*				
Kontroller at skjæreverktøyet er skarpt og rent.	*				
Kontroller at PRCD-en fungerer som den skal.					
 ADVARSEL: Gjelder ikke for 110 V-type solgt i Storbritannia og Irland. Se <i>Differensial strømledning på side 116</i> .	X				
Se etter skade på strømledningen, andre kabler og støpselet.	*	*			
Sørg for at håndtakene og gripeflatene er tørre, rene og fri for olje og fett.	*	*			
Sørg for at produktet er rent.	X	X			
Se etter skade/vannlekkasje i akseltetningene.		X			
Kontroller at skruer og mutre er trukket til.			*		
Kontroller at strømbryteren fungerer som den skal.			X		
Skift girolje.				O	
Se etter skade på kullbørstene.					X

Slik rengjør du produktet



OBS: Pass på at det ikke går vann inn i motoren eller girkassen.



OBS: Ikke bruk rennende vann til å rengjøre produktet.

- Bruk en tørr eller fuktig klut til å rengjøre produktet.
- Fjern blokkeringer fra alle luftåpninger. Et blokkert luftinntak reduserer ytelsen til produktet og kan føre til at motoren blir overopphetet.
- Rengjør og smør spindelakselgjengen.

Slik utfører du vedlikehold på diamantborkronen

- Kontroller at diamantverktøysegmentene er skarpe. Slip sløve diamantsegmenter med en SiC-slipestein.
- Sørg for at borkronen ikke vibrerer. Hvis borkronen vibrerer, kan diamantsegmentene løsne.
- Pass på at diamantsegmentene er tilstrekkelig mye større enn den indre og ytre diameteren på borkroneøret.
- Smør borkronegjengene med vannbestandig fett. Dette gjør det enklere å løsne verktøyet.
- Kontroller at radialutløpet i diamantsegmentene på borkronen ikke er på over 1 mm.

Slik skifter du girolje



OBS: Hvis det lekker girolje, må du stoppe produktet og ta kontakt med et godkjent

servicesenter. Giret blir skadet hvis giroljenivået er for lavt.

- Overlat det til et godkjent Husqvarna-servicesenter å skifte girolje.

Slik undersøker du vanntilkoblingen



OBS: Hvis det lekker vann fra vanntilkoblingsringen, må akseltettingene byttes ut umiddelbart.

- Reparasjon av vanntilkoblingen må overlates til et godkjent Husqvarna-servicesenter.

Slik undersøker du kullbørstene

1. Fjern de fire skruene som holder fast dekslet for kullbørstene. Bruk en flat, bred skrutrekker. (Fig. 28)
2. Undersøk kullbørstene. Slitasjeområdet må være jevnt og ikke skadet.
3. Om nødvendig får du et godkjent Husqvarna-servicesenter til å skifte ut kullbørstene.

Feilsøking

Feilsøkingsoversikt

Hvis du ikke finner en løsning på problemene dine i denne bruksanvisningen, kan du ta kontakt med ditt Husqvarna-serviceverksted.

Problem	Umiddelbare tiltak	Mulig årsak	Løsning
Produktet starter ikke når strømbryteren er satt til 1.	Sett strømbryteren til 0.	Hvis du ser et rødt lys på PRCD-en, er strømmen fra-koblet.	Trykk på RESET-knappen (Tilbakestill) på PRCD-en. Hvis PRCD-en kobler fra strømmen igjen, kan du snakke med et godkjent Husqvarna-servicesenter.
Produktet stopper.		Det er en feil med strømkilden. Strømmen er koblet fra av Elgard.	Sjekk strømkilden.
		Borkronen er blokkert. Strømmen er koblet fra av Elgard.	Drei borkronen mot høyre og venstre. Bruk en skrunøkkel. Ta produktet forsiktig ut av borehullet.
		For høy belastning fører til overbelastning av motoren. Strømmen er koblet fra av Elgard.	Kontroller at borkronen lett kan dreies i borehullet.
Produktet fortsetter ikke inn i overflaten, turtallet reduseres, og produktet stopper.		Hvis du ser et rødt lys på PRCD-en, er strømmen fra-koblet.	Trykk på RESET-knappen (Tilbakestill) på PRCD-en. Hvis PRCD-en kobler fra strømmen igjen, kan du snakke med et godkjent Husqvarna-servicesenter.
		Diamantsegmentene er sløve.	Slip diamantsegmentene med en SiC-slipestein.
		Vanntrykket er for lavt.	Øk vanntrykket. Se <i>Tekniske data på side 123</i> .
		Det er mye vibrasjon i produktet under bruk.	Påfør riktig trykk når du bruker produktet.
		Tetningene er utslitt og må skiftes ut.	Ta kontakt med et godkjent Husqvarna-servicesenter.
Diamantsegmentene på borkronen trekkes ut av båndet.		Akseltetningene er defekte.	Ta kontakt med et godkjent Husqvarna-servicesenter. Pass på at du alltid bruker rent vann.
Det lekker girolje.			
Det lekker vann fra hullet i vanntilkoblingsringen.			
Produktet går ujevnt.	Bruk mindre kraft.	For høy belastning fører til overbelastning av motoren.	Bruk mindre kraft når du borer.

Transport og oppbevaring

- Trekk støpselet ut av strømtuttet før du transporterer produktet eller setter det bort for oppbevaring.
- Fjern borkronen før transport eller oppbevaring av produktet. Dette er for å forhindre skade på produktet og borkronen.
- Oppbevar produktet på et låst sted for å hindre tilgang for barn eller personer som ikke er godkjent.
- Oppbevar produktet på et tørt og frostfritt sted.
- Sørg for sikkert feste av produktet under transport for å unngå skader og ulykker.

Tekniske data

Tekniske data

Data	DM400			DM430		
Motor						
Elektrisk motor	Enfaset			Enfaset		
Nominell spenning, V	100–120, 110, 220–240			100–120, 110, 220–240		
Nominell effekt, W	3200			3200		
Merkeeffekt, W	2300			2300		
Nominell frekvens, Hz	50-60			50-60		
Merkestrøm, A						
100–120 V (US, JP)	20			20		
110 V (Storbritannia, Irland)	30			30		
220–240 V	15			15		
PRCD-strøm, A						
100–120 V (US, JP)	6 mA			6 mA		
220–240 V	10 mA			10 mA		
Borkrone						
Maks. borediameter i betong, mm/ tommer	350/14			450/18		
Min. borediameter i betong, mm/ tommer	55/2			100/4		
Vekt, kg/pund	13,5/29,8			14,2/31,3		
Vannkjøling						
Vannkobling	Gardena			Gardena		
Maksimalt vanntrykk, bar	3			3		
Redskapskobling						
Spindelgjenger, JP/SE/RoW	A-Rod/CRI 28/1 1/4" G			A-Rod/CRI 28/1 1/4" G		
Støv og slam						
Borkronediameter for bruk av slamring, mm/tommer	50–350/2–13,8			50–350/2–13,8		
Driftsdata						
Gir	1	2	3	1	2	3
Spindelhastighet, tomgangskjøring, full belastning, o/min.	230	460	720	150	300	470

Data	DM400			DM430		
Spindelhastighet, tomgangskjøring, ingen belastning, o/min	420	820	1250	250	510	800
Borediameter i betong, mm/tommer	165–350/6,5–14	80–160/3–6	55–105/2–4	250–450/8–18	125–250/5–10	100–160/4–6
Anbefalt vannvolum, l/min	1,7–2,4	1,1–1,6	0,9–1,3	2,0–2,5	1,5–2,0	1,2–1,6

Data for støytøstlipp

Data	DM400	DM430
Støytøstlipp		
Lydtrykknivå, dB (A)	92	92
Lydeffektnivå, L_{WA} dB (A) ⁷	112	112

Innebygd tilkobling

Merk: Denne delen gjelder bare for produkter som leveres med innebygd tilkobling.

Radiospektrum for BLE-teknologi	DM400	DM430
Frekvensbånd for verktøyet, GHz	2,402–2,480	2,402–2,480
Maksimal overføring av radiofrekvens-effekt, dBm/mW	4/2,5	4/2,5

LED-indikasjoner



OBS: Produktet kan bli skadet ved gjentatt overbelastning.

⁷ Utstøt av støy i omgivelsene målt som lydeffekt i henhold til EN 62841-3-6. Forventet målingsusikkerhet 3 dB (A).

Indikasjon på produktet	Årsak	Mulig løsning
1 grønn indikatorlampe.	Verktøyet er koblet til nettspenning og kan brukes.	Ikke tilgjengelig
	Effekten er mindre enn 50 % av tilgjengelig utgangseffekt.	
2 grønne indikatorlamper.	Effekten er mellom 50 og 65 % av tilgjengelig utgangseffekt.	
3 grønne indikatorlamper.	Effekten er mellom 65 og 80 % av tilgjengelig utgangseffekt.	
3 grønne indikatorlamper og 1 gul indikatorlampe.	Maksimal effektbruk. Effekten er over 80 % av tilgjengelig utgangseffekt.	
3 grønne indikatorlamper, 1 gul indikatorlampe og 1 rød indikatorlampe.	Systemet overbelastes.	Reduser belastningen for å hindre at Elgard™-overbelastningsvernet startes.
Alle indikatorlampene blinker.	Elgard™-overbelastningsvernet er startet.	Reduser belastningen for å gå tilbake til riktig drift.
	Elgard™-overbelastningsvernet har stoppet motoren.	Se <i>Slik tilbakestiller du overbelastningsvernet på side 119.</i>
1 grønn indikatorlampe blinker.	Smartstart™ er startet.	Se <i>Slik bruker du Smartstart™ på side 119.</i>

Tilbehør

Tilbehør

Tilbehør	DM400		DM430	
Borestativ DS 500	Sikre med vakuumpate: OK	Annen sikring: OK	Sikre med vakuumpate: OK	Annen sikring: OK
Slamring*	OK		OK	
Tetningsskive*	OK		OK	
Gummipakning, delenummer 598 72 14-01	OK		OK	
* Kontakt ditt lokale serviceverksted hvis du vil ha mer informasjon.				

Service

Godkjent servicesenter

Gå til nettsiden www.husqvarnacp.com for å finne nærmeste Husqvarna Construction Products-godkjente servicesenter.

EF-samsvarserklæring

EU-samsvarserklæring

Vi, **Husqvarna AB**, SE-561 82 Huskvarna, Sverige, tlf.:
+46 36 146500, erklærer på eget ansvar at produktet:

Beskrivelse	Transporterbart diamantkjærebør
Merke	Husqvarna
Type/modell	DM400, DM430
ID	Serienumre datert 2019 og senere

fullstendig overholder følgende EU-direktiver og -
forskrifter:

Direktiv/regulering	Beskrivelse
2006/42/EC	«angående maskiner»
2014/53/EU	«angående radioutstyr»

og at følgende harmoniserte standarder og/eller tekniske
spesifikasjoner er anvendt:

EN ISO 12100:2010

EN 62841-1:2014

EN 62841-3-6:2014+A11:2017

EN 55014-1:2017

EN 55014-2:2015

EN 61000-3-2:2014

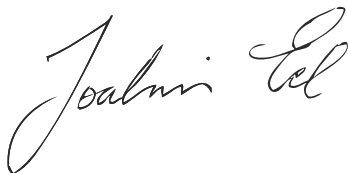
EN 61000-3-3:2013

ETSI EN 300 328 V2.1.1

ETSI EN 301 489-1 V2.2.0

ETSI EN 301 489-17 V3.2.0

Partille, 2019-12-08



Joakim Ed

Direktør, betongskjæring, boring og lett riving

Husqvarna AB, Bygg og anleggsdivisjon

Ansvarlig for teknisk dokumentasjon

Registrerte varemerker

Bluetooth[®]-ordmerket og -logoene er registrerte varemerker for *Bluetooth SIG, inc.*, og bruk av slike merker fra Husqvarna skjer under lisens.

Innehåll

Introduktion.....	128	Transport och förvaring.....	138
Säkerhet.....	129	Tekniska data.....	139
Montering.....	133	Tillbehör.....	141
Drift.....	133	Service.....	141
Underhåll.....	135	EG-försäkran om överensstämmelse.....	142
Felsökning.....	137	Registrerade varumärken.....	143

Introduktion

Produktbeskrivning

Den här bormotorn från Husqvarna är en transporterbar diamantkärnborr som ska användas med ett godkänt borrarstativ.

Diamantborret är ihåligt med diamentsegment. Vatten går genom kulventilen, slangen och diamanthörret. Vattnet spolar ut det borrarade materialet från öppningen och sänker temperaturen i borret.

Den här produkten har Smartstart™. Se *Använda Smartstart™ på sida 134*.

Vissa modeller av den här produkten har inbyggd anslutning. Se *Inbyggd anslutning på sida 128*.

Inbyggd anslutning

Husqvarna Fleet Services™ är en molnlösning för tillgångshantering som du kan använda för att få en översikt över alla produkter som är anslutna via inbyggda sensorer eller eftermarknadssensorer. Du kan använda gatewayen eller en smartphone för att få information om var alla anslutna produkter finns.

Produktöversikt

(Fig. 1)

1. Borrspindel
2. Snabbkopplingsbricka
3. Läckagehål
4. Gardena hankoppling med vattenventil
5. Växelväljare
6. Till/från-strömställare
7. Handtag
8. Smartstart™
9. Lysdioder som visar uteffekten
10. Elektronikbox
11. Monteringsplatta för Husqvarnas borrarstativ
12. Bärbar jordfelsbrytare

Notera: I den här bruksanvisningen använder vi termen bärbar jordfelsbrytare för både bärbar jordfelsbrytare och jordfelsbrytare.

Sensorerna används för att registrera data, exempelvis körtid och serviceintervall. Om du vill ha mer information om molnlösningen Husqvarna Fleet Services™ för tillgångshantering kan du hämta iOS- eller Android-appen Husqvarna Fleet Services på <https://apps.apple.com/se/app/husqvarna-fleet-services/id1334672726> respektive <https://play.google.com/store/apps/details?id=com.husqvarna.hfsmobile&hl=en>.

Vissa typer av den här produkten ansluts via den inbyggda Husqvarna Fleet Services™-sensorn med Bluetooth Low Energy (BLE)-funktioner. Mer information om hur denna används finns i *Använda inbyggd anslutning på sida 134*. Mer information om radiospektrumet för BLE-tekniken finns i *Inbyggd anslutning på sida 140*.

Avsedd användning

Produkten används för att borra i betong, sten, asfalt och murverk. All annan användning är felaktig.

Produkten används inom industriverksamhet av användare med erfarenhet.

13. Vattenanslutning

14. Nyckel

15. Bruksanvisning

Symboler på produkten

(Fig. 2) **WARNING!** Den här produkten kan vara farlig och kan orsaka allvarlig eller livshotande skada för användaren och andra. Var försiktig och använd produkten på rätt sätt.

(Fig. 3) Läs noggrant igenom bruksanvisningen och se till att du förstår innehållet innan du använder produkten.

(Fig. 4) Använd alltid godkänd personlig skyddsutrustning. Se *Personlig skyddsutrustning på sida 132*.

(Fig. 5) Denna produkt överensstämmer med gällande EG-direktiv.

(Fig. 6) **Miljömärkning.** Produkten eller dess förpackning är inte hushållsavfall. Återvinn den vid en godkänd plats för kassering av elektrisk och elektronisk utrustning.

(Fig. 7) Se till att vatten inte kan läcka in i produkten när du borrar i taket. Använd en lämplig vattenuppsamlare.

Notera: Övriga på produkten angivna symboler/dekaler avser specifika krav för certifieringar på vissa marknader.

Produktansvar

Enligt lagstiftningen för produktansvar ansvarar vi inte för skador som vår produkt orsakar om:

- produkten repareras felaktigt
- produkten repareras med delar som inte kommer från tillverkaren eller inte har godkänts av tillverkaren
- produkten har ett tillbehör som inte kommer från tillverkaren eller inte har godkänts av tillverkaren
- produkten inte repareras vid ett godkänt servicecenter eller av en godkänd person.

Säkerhet

Säkerhetsdefinitioner

Varningar, försiktighetsåtgärder och anmärkningar används för att betona speciellt viktiga delar i bruksanvisningen.



WARNING: Används om det finns risk för skador eller dödsfall för användaren eller kringstående om anvisningarna i bruksanvisningen inte följs.



OBSERVERA: Används om det finns risk för skada på produkten, annat material eller det angränsande området om anvisningarna i bruksanvisningen inte följs.

Notera: Används för att ge mer information som är nödvändig i en viss situation.

Allmänna säkerhetsvarningar för elverktyg



WARNING: Gå igenom alla säkerhetsvarningar, instruktioner, illustrationer och specifikationer som medföljer det här elverktyget. Om du inte följer instruktionerna nedan kan det leda till elektriska stötar, brand och/eller allvarliga skador.

Spara alla varningar och instruktioner som referens. I varningarna syftar termen "elverktyg" på ett verktyg som antingen är anslutet till nätspänningen (med sladd) eller drivs av batteri (sladdlöst).

Säkerhet i arbetsområdet

- **Arbetsområdet ska hållas välordnat och välbelyst.** I rörliga eller mörka arbetsområden händer det lätt olyckor.

- **Använd inte elverktyg i explosiva miljöer, t.ex. i närvaro av brandfarliga vätskor, gaser eller damm.** Gnistor från elverktyget kan antända damm eller ångor.
- **Håll barn och åskådare på avstånd när du använder elverktyg.** Om du blir distraherad kan du tappa kontrollen.

Elsäkerhet

- **Elverktygets stickkontakt måste passa i vägguttaget. Modifiera aldrig stickkontakten på något sätt. Använd inga adapterkontakter med jordade elverktyg.** Oförändrade stickkontakter och motsvarande vägguttag minskar riskerna för elektriska stötar.
- **Undvik kroppskontakt med jordade ytor, t.ex. rör, kylare, spisar och kylskåp.** Risken för elektriska stötar ökar om kroppen är jordad.
- **Utsätt inte elverktyg för regn eller väta.** Om vatten tränger in i elverktyget ökar risken för elektrisk stöt.
- **Använd inte sladden på fel sätt. Använd inte sladden för att bära eller dra elverktyget, eller för att koppla ur elverktyget från uttaget. Håll sladden borta från värme, olja, vassa kanter och rörliga delar.** Skadade eller trassliga sladdar ökar risken för elektriska stötar.
- **När du använder ett elverktyg utomhus ska du även använda en förlängningssladd för utomhusbruk.** Om du använder en sladd för utomhusbruk minskar risken för elektriska stötar.
- **Om det är oundvikligt att köra elverktyget i en fuktig miljö använder du en jordfelsbrytare (RCD).** Med jordfelsbrytare minskar risken för elektriska stötar.

Personligt skydd

- **Var på din vakt, var uppmärksam på vad du gör och använd sunt förnuft när du använder ett elverktyg. Använd inte elverktyg om du är trött, har druckit alkohol eller om du har tagit droger eller mediciner.** Ett ögonblick av ouppmärksamhet när du använder ett elverktyg kan leda till allvarlig personskada.

- **Använd personlig skyddsutrustning. Bär alltid skyddsglasögon.** Lämplig skyddsutrustning som ansiktsmask, halkfria skyddsskor, hjälm eller hörselskydd minskar risken för personskador.
- **Förebygg att maskinen startar oavsiktligt. Se till att strömbrytaren är frånslagen innan du ansluter elverktaget till en strömkälla och/eller ett batteri och innan du tar upp eller bär verktyget.** Risken för olyckor är stor om du bär elverktyg med fingret på strömbrytaren eller tillför ström till elverktyg med strömbrytaren påslagen.
- **Ta bort eventuella justeringsnycklar eller skiftnycklar innan du slår på verktyget.** Nycklar som lämnas kvar i elverktygets rörliga delar kan orsaka personskada.
- **Sträck dig inte för långt. Ha alltid ett stadigt fotfäste och god balans.** Det ger dig större kontroll över elverktaget i oväntade situationer.
- **Ta på dig ordentliga arbetskläder. Använd inte löst sittande kläder eller smycken. Håll hår och kläder borta från rörliga delar.** Lösa kläder, smycken och långt hår kan fastna i rörliga delar.
- **Om det finns anordningar för anslutning av enheter för uppsamling av damm, se då till att dessa är ordentligt anslutna och att de används på rätt sätt.** Dammuppsamling kan minska dammrelaterad fara.
- **Tillåt inte dig själv att bli för avslappnad, även om du har erfarenhet av regelbunden användning av verktyget, så att du börjar strunta i verktygets säkerhetsprinciper.** En slarvig handling kan orsaka allvarlig skada på mindre än en sekund.

Service

- **Låt en kvalificerad reparatör som endast använder identiska reservdelar underhålla elverktaget.** På så sätt garanterar du att säkerheten kring ditt elverktyg upprätthålls.

Säkerhetsvarningar för diamantborr

- **När du utför borming som kräver att vatten används ska vattnet ledas bort från användarens arbetsyta, eller så kan du använda en vätskeinsamlare.** Sådana förebyggande åtgärder håller användarens arbetsyta torr och minskar risken för elektriska stötter.
- **Håll elverktaget i de isolerade greppytorna när det används i situationer där skärtillbehöret kan komma i kontakt med dolda ledningar eller sin egen sladd.** Om skärtillbehöret kommer i kontakt med en strömförande ledning kan elverktygets metalldelar strömsättas och ge användaren en elektrisk stöt.
- **Använd hörselskydd när du borrar med diamantverktyg.** Om du utsätts för buller kan det leda till hörselskador.
- **När borret är blockerat ska du sluta trycka nedåt och slå av verktyget.** Undersök och vidta korrigerande åtgärder för att eliminera orsaken till att borret kärvar.
- **När du startar om ett diamantborr i arbetsstycket ska du kontrollera att borret roterar fritt före start.** Om borret är blockerat kanske verktyget inte startar eller blir överbelastat, eller så kan diamantborret släppa från arbetsstycket.
- **När borstativet säkras vid arbetsstycket med fästen ska du se till att fästena som används kan hålla fast verktyget under användning.** Om arbetsstycket är svagt eller poröst kan fästet dras ut och borstativet släppa från arbetsstycket.
- **När du fäster borstativet med hjälp av en vakuumdyna på arbetsstycken måste du fästa den på en slät, ren och icke-porös yta. Fäst inte på laminerade ytor som kakel och komposittäckta ytor.** Om arbetsstycket inte är slätt och plant och om inte dynan sitter ordentligt fast kan den lossna.
- **Se till att det finns tillräckligt med vakuum före och under bormingen.** Om vakuumet är inte är tillräckligt kan dynan lossna från arbetsstycket.

Använda och underhålla elverktyg

- **Bruka inte våld eller onödig kraft. Använd det elverktyg som är rätt för ditt syfte.** Med rätt elverktyg utför du ett bättre och säkrare jobb med den hastighet som elverktaget är utformat för.
- **Använd inte elverktaget om du inte kan starta och stänga av det med strömbrytaren.** Elverktyg som inte kan kontrolleras med strömbrytaren är farliga och måste repareras.
- **Koppla bort kontakten från strömkällan och/eller ta ut batteriet (om det kan tas bort) innan du gör justeringar, byter tillbehör eller förvarar elverktaget.** Sådana förebyggande säkerhetsåtgärder minskar risken för att elverktaget startas oavsiktligt.
- **Förvara elverktyg som inte används utom räckhåll för barn. Se till att personer som inte tidigare har hanterat verktyget, eller som inte har läst instruktionerna, inte använder det.** Elverktyg är farliga om de används av ovana användare.
- **Underhållning av elverktyg och tillbehör. Kontrollera att rörliga delar ligger i linje och inte kärvar. Kontrollera även om det finns skadade delar eller om det föreligger andra förhållanden som kan påverka elverktygets funktion. Om elverktaget är skadat ska det repareras innan det används igen.** Många olyckor sker på grund av att rätt underhåll inte har utförts på elverktaget.

- **Borra aldrig när du endast har satt fast maskinen med hjälp av vakuumdynan, förutom när du borrar nedåt.** Om vakuumet upphör lossar dynan från arbetsstycket.
- **Vid borring i vägg eller tak ska du kontrollera att människor och arbetsområdet på andra sidan skyddas.** Borret kan gå genom hålet, eller så kan kärnan falla ut på andra sidan.
- **Vid borring över huvudet ska alltid vätskeuppsamlaren som anges i bruksanvisningen användas. Låt inte vatten rinna in i verktyget.** Om vatten tränger in i elverktyget ökar risken för elektrisk stöt.

Allmänna säkerhetsanvisningar



WARNING: Läs varningsinstruktionerna nedan innan du använder produkten.

- Denna produkt är ett farligt verktyg om du inte är försiktig eller om du använder produkten felaktigt. Den här produkten kan orsaka allvarlig eller livshotande skada för användaren och andra. Det är mycket viktigt att du läser och förstår innehållet i denna bruksanvisning innan du använder produkten.
- Spara alla varningar och instruktioner.
- Följ alla tillämpliga lagar och bestämmelser.
- Användaren och dennes arbetsgivare måste känna till och förebygga risker vid användning av produkten.
- Låt inte någon använda produkten om personen inte har läst och förstått innehållet i bruksanvisningen.
- Använd inte produkten förrän du har fått utbildning om hur du använder den. Se till att alla användare utbildas.
- Låt inte barn använda produkten.
- Låt endast godkända personer använda produkten.
- Användaren ansvarar för olyckor som drabbar andra personer eller deras egendom.
- Använd aldrig produkten om du är trött, sjuk eller om du är påverkad av alkohol, droger eller läkemedel.
- Var alltid försiktig och använd sunt förnuft.
- Denna produkt alstrar ett elektromagnetiskt fält under drift. Detta fält kan under vissa omständigheter ge påverkan på aktiva eller passiva medicinska implantat. För att minska risken för allvarlig eller livshotande skada rekommenderar vi därför personer med medicinska implantat att rådgöra med läkare samt tillverkaren av det medicinska implantatet innan denna produkt används.
- Håll produkten ren. Se till att du kan läsa skyltar och dekaler tydligt.
- Använd inte produkten om den är trasig.
- Gör inga modifieringar av den här produkten.
- Använd inte produkten om det är möjligt att andra personer har modifierat produkten.

Använd alltid sunt förnuft



WARNING: Produktens ursprungliga utformning får under inga omständigheter ändras utan tillstånd från tillverkaren. Använd alltid originalreservdelar. Otillåtna ändringar och/eller tillbehör kan orsaka allvarliga eller livshotande skador på användaren eller andra.



WARNING: Användning av produkter som skär, slipar, borrar, finslipar eller formar material kan generera damm och ångor som kan innehålla skadliga kemikalier. Ta reda på hur det material du arbetar med är beskaffat och bär lämplig andningsmask.

Det är omöjligt att förbereda sig för alla tänkbara situationer du kan ställas inför när du använder produkten. Var alltid försiktig och använd sunt förnuft. Undvik situationer som du inte anser att du är tillräckligt kvalificerad för. Om du efter att ha läst dessa instruktioner fortfarande känner dig osäker angående tillvägagångssätt ska du rådfråga en expert innan du fortsätter.

Tveka inte att kontakta din Husqvarna-återförsäljare om du har frågor angående användning av produkten. Vi ger dig gärna råd och hjälper dig att använda produkten på ett bättre och säkrare sätt.

Låt din Husqvarna-återförsäljare kontrollera produkten regelbundet och göra nödvändiga justeringar och reparationer.

Husqvarna Construction Products har en policy för kontinuerlig produktutveckling. Husqvarna förbehåller sig rätten att utan föregående meddelande och utan ytterligare åtaganden införa konstruktionsförändringar.

All information och alla data i denna bruksanvisning gällde det datum bruksanvisningen lämnades till tryck.

Säkerhetsinstruktioner för drift



WARNING: Läs varningsinstruktionerna nedan innan du använder produkten.

- Använd inte produkten om du inte kan få hjälp om en olycka inträffar.
- Använd inte produkten i dåligt väder såsom dimma, regn, hård vind, intensiv kyla eller liknande förhållanden. Riskabla förutsättningar såsom hala underlag kan uppstå på grund av dåligt väder.
- Håll utik efter personer, föremål och situationer som kan förhindra säker användning av produkten.
- När borsten pekar uppåt under drift ska du alltid använda en lämplig behållare för att samla upp vattnet.
- Montera alltid produkten på ett lämpligt borrstativ före användning. Se *Tillbehör på sida 141*.

- Se till att du alltid kan stoppa motorn snabbt i en nödsituation.
- Se till att det inte finns några rör eller elkablar i området där hålet ska borras.
- Om produkten inte fungerar korrekt ska du stoppa motorn.
- Se till att du står säkert och stadigt under användning.
- Håll dig på avstånd från borret när motorn är igång.
- Lämnar inte produkten när motorn är på.
- Koppla alltid bort nätsladden innan du lämnar produkten.
- Håll alla delar i gott skick och se till att alla fästelement är ordentligt åtdragna.
- Om vibrationer uppstår i produkten eller om ljudnivån från produkten är ovanligt hög ska du omedelbart stoppa produkten. Kontrollera om det finns några skador på produkten. Reparera skadorna eller låt en godkänd serviceverkstad utföra reparationen.
- Använd alltid godkända tillbehör. Prata med din återförsäljare för mer information.

Personlig skyddsutrustning



VARNING: Läs varningsinstruktionerna nedan innan du använder produkten.

- Använd alltid rätt personlig skyddsutrustning när du använder produkten. Den personliga skyddsutrustningen eliminerar inte risken för skador. Den personliga skyddsutrustningen minskar skadans allvarlighetsgrad om en olycka inträffar. Be din återförsäljare om hjälp med att välja rätt utrustning.
- Använd godkänt ögonskydd när du använder produkten.
- Använd inte löst sittande, tung eller olämplig klädsel. Använd kläder som du kan röra dig fritt i.
- Använd godkända skyddshandskar som möjliggör ett stabilt grepp.
- Använd gummiskyddshandskar som förhindrar hudirritation från våt betong.
- Använd en godkänd skyddshjälm.
- Använd alltid godkänt hörselskydd när du använder produkten. Oljud under en längre period kan leda till bullersakad hörselnedsättning.
- Produkten genererar damm och ångor som innehåller farliga kemikalier. Använd ett godkänt andningsskydd.
- Använd stövlar med stålhätta och halkfri sula.
- Se till att du har ett första hjälpen-kit i närheten.
- Gnistbildning kan uppstå när du använder produkten. Se till att du har en brandsläckare i närheten.

Säkerhetsanordningar på produkten



VARNING: Läs varningsinstruktionerna nedan innan du använder produkten.

- Använd aldrig en produkt med defekt säkerhetsutrustning! Om produkten inte klarar alla kontroller ska serviceverkstad uppsökas för reparation.
- Använd inte produkten om skyddsplåtar, skyddshuvar, säkerhetsströmbrytare eller andra skyddsanordningar lossnat eller är defekta.

Motorns överlastskydd, Elgard™

Motorns överlastskydd aktiveras om motorn har för hög belastning eller om borret inte kan röra sig fritt.

Motorns överlastskydd gör att motorns effekt minskar och ökar med korta intervall under några sekunder. Om du då inte minskar kraften stannar motorn. Se *Återställa motorns överlastskydd på sida 135*.

Belastningsindikator



OBSERVERA: Om du överbelastar produkten vid upprepade tillfällen kan den skadas.

Produkten har indikatorer som visar motorbelastningen. Se *Indikatorlampor på sida 140*.

Bärbär jordfelsbrytare



VARNING: Gäller inte 110 V-typ som säljs i Storbritannien och Irland. Storbritannien och Irland: Använd inte 110 V-versionen av produkten utan en isolertransformator, se EN/IEC 61558-1 och EN/IEC 61558-2-23. Isolertransformatorn måste ha en jordad jordledning på sekundärindringningssidan.



VARNING: Sänk inte ner den bärbara jordfelsbrytaren i vatten.



VARNING: Kontrollera alltid den bärbara jordfelsbrytaren innan du använder produkten. Se *Undersöka den bärbara jordfelsbrytaren på sida 133*.

Produkten har en bärbär jordfelsbrytare installerad på nätsladden. Den bärbara jordfelsbrytaren är ett skydd som aktiveras om ett elfel inträffar. Se *Tekniska data på sida 139* för information om vid vilken ström den bärbara jordfelsbrytaren aktiveras.

Den röda lampan visar att den bärbara jordfelsbrytaren är på och att produkten kan startas. Om den röda lampan inte lyser ska du trycka på RESET-knappen.

(Fig. 8)

Undersöka den bärbara jordfelsbrytaren



VARNING: Gäller inte 110 V-typ som säljs i Storbritannien och Irland. Se *Bärbar jordfelsbrytare på sida 132*.



VARNING: Den bärbara jordfelsbrytaren måste undersökas varje gång nätkontakten ansluts till eluttaget.



VARNING: Om den bärbara jordfelsbrytaren måste repareras kontakta du en godkänd Husqvarna-serviceverkstad.

1. Anslut produktens nätkontakt till eluttaget.
2. Tryck på RESET-knappen. Indikatorn ovanför knappen är röd när strömmen är ansluten.
3. Starta produkten, se *Starta produkten på sida 135*.
4. Tryck på TEST-knappen. Om produkten stannar fungerar den bärbara jordfelsbrytaren korrekt. (Fig. 9)

PÅ/AV-brytare

PÅ/AV-brytaren används för att starta och stoppa produkten.

(Fig. 10)

Inspektera PÅ/AV-brytaren

1. Anslut produktens nätkontakt till elnätet.
2. Vrid PÅ/AV-brytaren till 1 för att starta produkten.
3. Vrid PÅ/AV-brytaren till 0 för att stoppa produkten.

Friktionskoppling

Friktionskopplingen är integrerad i produktens växellåda. Den förhindrar skador på produkten om borret stannar under drift. Om belastningen är för hög frikopplas friktionskopplingen och stoppar borrspindeln men håller motorn på i några sekunder. Friktionskopplingen kopplas in igen om belastningen minskar, och arbetet kan fortsätta. Om borret fastnar i materialet och stannar helt stoppar friktionskopplingen motorn omedelbart.



OBSERVERA: Se till att kopplingens urkopplingstid inte är längre än 3–4 sekunder, annars ökar slitaget och värme snabbt.

Säkerhetsinstruktioner för underhåll



VARNING: Kontroll och/eller underhåll skall utföras med motorn avstängd och kontakten fränkopplad.

- Underhållning av elverktyg och tillbehör. Kontrollera att rörliga delar ligger i linje och inte kärvar. Kontrollera även om det finns skadade delar eller om det föreligger andra förhållanden som kan påverka elverktygets funktion. Om elverktyget är skadat ska det repareras innan det används igen. Många olyckor sker på grund av att rätt underhåll inte har utförts på elverktyget.
- Håll kapverktyg skarpa och rena. Kapverktyg med vassa eggar som underhålls på rätt sätt kärvar mer sällan och är lättare att styra.
- Låt en kvalificerad reparatör som endast använder identiska reservdelar underhålla elverktyget. På så sätt garanterar du att säkerheten kring ditt elverktyg upprätthålls.

Montering

Introduktion



VARNING: Läs och förstå säkerhetskapitlet innan du monterar produkten.



VARNING: För att undvika personskador ska du dra ut nätsladden och ta bort borret före montering.

Fästa produkten på ett borrstativ



OBSERVERA: Läs noga igenom bruksanvisningen för borrstativet.

- Information om hur du fäster produkten i ett borrstativ finns i borrstativets bruksanvisning.
- Använd endast med godkända Husqvarna-borrstativ. Se *Tillbehör på sida 141*.

Drift

Att göra innan du använder produkten

1. Läs igenom bruksanvisningen noggrant och se till att du förstår instruktionerna.
2. Läs igenom bruksanvisningen för borrstativet noggrant och se till att du förstår instruktionerna.
3. Använd personlig skyddsutrustning. Se *Personlig skyddsutrustning på sida 132*.

- Se till att den nominella spänningen i eluttaget är densamma som produktens spänning.
- Se till att arbetsområdet är rent och väl upplyst.
- Se till att produkten är korrekt installerad. Borr och borrstativ måste vara korrekt monterade. (Fig. 11)
- Om du vill borra uppåt måste du följa de tillämpliga instruktionerna. Se *Förbereda produkten för borring uppåt på sida 134*.
- Se till att vattensystemet inte är skadat och att det är anslutet till produkten.
- Utför daglig skötsel. Se *Underhållsschema på sida 136*.
- Se till att den bärbara jordfelsbrytaren har startats. Se *Bärbar jordfelsbrytare på sida 132* och *Undersöka den bärbara jordfelsbrytaren på sida 133*.

Använda inbyggd anslutning

Notera: Den här delen gäller endast produkter med inbyggd anslutning.

Notera: Radioöverföring via Bluetooth®-funktionen aktiveras första gången produkten ansluts till eluttaget och förblir aktiverat.

- Hämta appen Husqvarna Fleet Services för iOS eller Android.
- Om du vill ha mer information går du till webbplatsen för Husqvarna Fleet Services på <https://fleetservices.husqvarna.com>.

Förbereda produkten för borring uppåt



WARNING: Om du vill borra uppåt måste du använda en slamring med tätningsskiva och en gummibricka. Om det tränger in vatten i produkten ökar risken för elektriska stötar.

- Rengör den övre delen av slamringen. Du måste ta bort allt fett och all smuts.
- Fäst dubbelhäftande tejp eller applicera sprejlim runt den övre öppningen på slamringen (A). Placera tätningsskivan i den övre öppningen som skydd (B). Fäst den ordentligt. (Fig. 12)
- Kontrollera borrdimensionen på ovansidan av borren. (Fig. 13)
- Skär ett hål i tätningsskivan som är lika stort som den närmaste mindre dimensionen jämfört med kärnborren. (Fig. 14)
- Fäst gummibrickan på snabbkopplingsbrickan på borrspindel. (Fig. 15)
- Anslut slamuppsamlaren till anslutningen på slamringen. (Fig. 16)
- Placera slamringen på borrspindel (C). Montera borren på borrspindel (D). (Fig. 17)
- Starta slamuppsamlaren.

- Lyft borren till taket. Fäst slamringen i taket. (Fig. 18)

Ansluta och öppna vattentillförseln



OBSERVERA: Se till att det maximala vattentrycket inte är för högt. Se *Tekniska data på sida 139*.



OBSERVERA: Använd endast rent vatten för att förhindra att smuts orsakar en blockering i vattensystemet.



OBSERVERA: Använd endast en godkänd koppling för vattentillförsel. Prata med din återförsäljare för mer information.

- Anslut kulventilen till vattentillförseln (A). (Fig. 19)
- Öppna vattensystemet (B). Ställ in vattentrycket för att avlägsna allt spillmaterial från borrhålet.

För att sänka temperaturen i motorn

- Använd produkten utan belastning i två minuter för att sänka temperaturen i motorn.

Byta växel



OBSERVERA: Byt bara växel när motorns varvtal minskar eller stannar. Tryck inte för hårt för att byta växel.

- Se till att du alltid använder lämpligt varvtal för boretts diameter. Se typskylten på produkten eller *Tekniska data på sida 139*.
- Vrid växelväljaren för att byta växel. (Fig. 20)

Använda Smartstart™

Funktionen Smartstart™ används för att minska motorvarvtalet. Detta underlättar för att göra ett starthål.

- Starta motorn. Se upp så att inte borren vidrör materialet.
- Tryck på Smartstart™-knappen (A) en gång. Hastigheten minskas och den första gröna lysdioden blinkar när funktionen Smartstart™ är aktiverad. (Fig. 21)
- Borra ett starthål i materialet.
- Tryck på Smartstart™-knappen (A) igen. Varvtalet ökar till det normala varvtalet.

Varvtalet ökas automatiskt tillbaka till det normala varvtalet en minut efter att du har startat funktionen Smartstart™ om du inte trycker på knappen Smartstart™ (A) igen.

Notera: Använd endast funktionen Smartstart™ till att börja borra hål. Effekten minskar avsevärt om du använder den under normal drift.

Starta produkten



VARNING: Se till att borret kan rotera fritt. Det börjar rotera när motorn startar.



VARNING: Om det här är första gången på dagen som produkten startas ska du kontrollera den bärbara jordfelsbrytaren. Se *Undersöka den bärbara jordfelsbrytaren på sida 133.*

1. Tryck på RESET-knappen på den bärbara jordfelsbrytaren. (Fig. 22)
2. Ställ in arbetsvarvtalet genom att vrida borrhjulet och samtidigt flytta växelväljaren i rätt läge för arbetet. (Fig. 23)
3. Se till att vattensystemet är öppet. (Fig. 24)
4. Vrid PÅ/AV-brytaren till 1. (Fig. 25)

Använda produkten



VARNING: Om den bärbara jordfelsbrytaren aktiveras ska du ta bort borret från hålet innan du trycker på RESET.



VARNING: Olyckor kan inträffa om betongkärnan sitter fast i borret när du drar ut borret från hålet.



VARNING: När du använder ett borrstativ ska du hålla i de isolerade greppytorna på stativet.



OBSERVERA: Se till att inga föremål slår i borret.



OBSERVERA: Använd inte mer kraft än nödvändigt. Det gör att produkten fungerar långsammare och överbelastar motorn.

1. Starta motorn. Se *Starta produkten på sida 135.*
2. Låt motorns varvtal öka till maximalt varvtal innan borret kommer i kontakt med ytan.

3. Tryck in borret i ytan med matarspaken.
4. Om du borrar genom järnförstärkningar ska du använda mer tryck i början och en lägre växel än om det inte fanns några järnförstärkningar.
5. Använd väldigt lite tryck från början för att hålla borret i rätt position.
6. Under drift ska du se till att vattnet avlägsnar allt spillmaterial från borrhålet. Justera vattentrycket om det är nödvändigt.
7. Stanna motorn. Se *Stoppa produkten på sida 135.*

Stoppa produkten



VARNING: Borret fortsätter att rotera en stund efter att motorn stannat. Stanna inte borrhjulet med händerna. Skador kan inträffa.

1. Stoppa produkten genom att vrida PÅ/AV-brytaren till 0. (Fig. 26)
2. Vänta tills borret har stannat helt.

Återställa motorns överlastskydd

1. Stäng av produkten. Se *Stoppa produkten på sida 135.*
2. Ta bort blockeringen från borret.
3. Starta produkten. Se *Starta produkten på sida 135.*

Byta borret



VARNING: Dra ut kontakten ur nätuttaget innan du byter ut borret.

Notera: Använd endast diamanborr som är godkända för din produkt. Prata med din Husqvarna-återförsäljare för mer information.

1. Kontrollera att du har en ny borrbitt, två skiftnycklar och vattenbeständigt fett.
2. Ta bort borret med skiftnycklarna. (Fig. 27)
3. Smörj verktyggångarna med vattenbeständigt fett.
4. Montera det nya borret med skiftnycklarna.

Underhåll

Introduktion



VARNING: Läs och förstå säkerhetskapitlet innan du utför underhåll på produkten.




VARNING: För att undvika skador ska du koppla bort strömkabeln innan du utför underhåll.

Underhållsschema

*= Allmänt underhåll som utförs av användaren.
Instruktionerna ges inte i denna bruksanvisning.

X = Instruktionerna ges i denna bruksanvisning.

O = kontakta en Husqvarna-serviceverkstad.

underhåll	Före varje användning	Efter varje användning	Dagligen	Efter de första 100 timmarna	Var 300:e timme
Se till att de rörliga delarna fungerar och kan röra sig fritt.	*				
Se till att skärverktyget är vasst och rent.	*				
Se till att den bärbara jordfelsbrytaren fungerar.  WARNING: Gäller inte 110 V-typ som säljs i Storbritannien och Irland. Se <i>Bärbar jordfelsbrytare på sida 132.</i>	X				
Undersök om nätsladden, andra kablar eller nätkontakten är skadade.	*	*			
Se till att handtagen och greppytorna är torra, rena och fria från olja och fett.	*	*			
Se till att produkten är ren.	X	X			
Undersök om axeltätningarna har skador/vattenläckage.		X			
Se till att skruvar och muttrar är åtdragna.			*		
Se till att PÅ/AV-brytaren fungerar korrekt.			X		
Byt ut växeloljan.				O	
Undersök om kolborstarna är skadade.					X

Rengöra produkten



OBSERVERA: Se till att inget vatten tränger in i motorn eller växellådan.



OBSERVERA: Använd inte rinnande vatten för att rengöra produkten.

- Rengör produkten med en torr eller fuktig trasa.
- Ta bort blockeringar från alla luftöppningar. Ett igensatt luftintag minskar produktens prestanda och kan göra att motorn blir för varm.
- Rengör och smörj spindelaxelns gänga.

Utföra underhåll på diamantborret

- Se till att diamantverktygens segment är skarpa. Slipa trubbiga diamantsegment med en SiC-slipsten.

- Se till att borret inte vibrerar. Om borret vibrerar kan diamantsegmenten lossna.
- Se till att diamantsegmenten är tillräckligt mycket större än borrhörets inre och yttre diameter.
- Smörj borrhöret med vattenbeständigt fett. Det gör det enkelt att lossa verktyget.
- Se till att borrhörets diamantsegments rundgångsfel inte är mer än 1 mm.

Byta ut växeloljan



OBSERVERA: Om det förekommer läckage av växelolja ska du stoppa produkten och kontakta en godkänd serviceverkstad. Växeln skadas om växeloljelnivån inte är tillräcklig.

- Låt en godkänd Husqvarna-serviceverkstad byta ut växeloljan.

Undersöka vattenanslutningen



OBSERVERA: Om det läcker vatten från vattenanslutningsringen måste axeltätningarna bytas ut omedelbart.

- Låt en godkänd Husqvarna-serviceverkstad reparera vattenanslutningen.

Undersöka kolborstarna

1. Ta bort de fyra skruvarna som håller fast kollocken. Använd en platt bred skruvmejsel. (Fig. 28)
2. Undersök kolborstarna. Slitytan måste vara jämn och får inte vara skadad.
3. Låt vid behov en godkänd Husqvarna-serviceverkstad byta ut kolborstarna.

Felsökning

Felsökningsschema

Om du inte hittar en lösning på ditt problem i den här användarhandboken ska du prata med din Husqvarna-serviceverkstad.

Problem	Steg att göra omedelbart	Möjlig orsak	Lösning
Produkten startar inte när PÅ/AV-brytaren är inställd på 1.	Vrid PÅ/AV-brytaren till 0.	Om en lampa lyser rött på den bärbara jordfelsbrytaren är strömmen fränkopplad.	Tryck på RESET-knappen på den bärbara jordfelsbrytaren. Om den bärbara jordfelsbrytaren kopplar bort strömmen igen ska du kontakta en godkänd Husqvarna-serviceverkstad.
Produkten stannar.		Strömkällan är defekt. Strömmen bryts av Elgard.	Kontrollera strömkällan.
		Borret är blockerat. Strömmen bryts av Elgard.	Vrid borret åt höger och vänster med en skiftnyckel. Dra försiktigt ut produkten från borrhålet.
		För hög belastning orsakar överbelastning av motorn. Strömmen bryts av Elgard.	Se till att borret enkelt kan vridas i borrhålet.
		Om en lampa lyser rött på den bärbara jordfelsbrytaren är strömmen fränkopplad.	Tryck på RESET-knappen på den bärbara jordfelsbrytaren. Om den bärbara jordfelsbrytaren kopplar bort strömmen igen ska du kontakta en godkänd Husqvarna-serviceverkstad.
Produkten fortsätter inte in i ytan, varvtalet minskar och den stannar.		Diamantsegmenten är slöa.	Slipa diamantsegmenten med en SiC-slipsten.
Oönskat material samlas runt hålet under drift.		Vattentrycket är för lågt.	Öka vattentrycket. Se <i>Tekniska data</i> på sida 139.
Borrets diamantsegment dras ut ur sitt fäste.		Produkten vibrerar mycket under drift.	Använd korrekt belastning när produkten används.
Växeloljan läcker.		Tätningarna är utslitna och måste bytas ut.	Prata med en godkänd Husqvarna-serviceverkstad.
Det läcker vatten från hålet på vattenanslutningsringen.		Axeltätningarna är defekta.	Prata med en godkänd Husqvarna-serviceverkstad. Använd alltid rent vatten.

Problem	Steg att göra omedelbart	Möjlig orsak	Lösning
Produkten går ojämnt.	Minska kraften.	För hög belastning orsakar överbelastning av motorn.	Använd mindre kraft när du borrar.

Transport och förvaring

- Dra ut kontakten ur eluttaget före transport eller förvaring av produkten.
- Ta bort borret före transport eller förvaring av produkten. Detta för att förhindra skador på produkten och borrarerna.
- Förvara produkten i ett låst utrymme för att förhindra åtkomst för barn eller personer som inte är behöriga.
- Förvara produkten på en torr och frostfri plats.
- Fäst produkten ordentligt under transport för att förhindra skador och olyckor.

Tekniska data

Tekniska data

Data	DM400			DM430		
Motor						
Elmotor	Enfas			Enfas		
Märkspänning, V	100–120, 110, 220–240			100–120, 110, 220–240		
Märkeffekt, W	3 200			3 200		
Nominell uteffekt, W	2 300			2 300		
Märkfrekvens, Hz	50–60			50–60		
Märkström, A						
100–120 V (USA, JP)	20			20		
110 V (Storbritannien, Irland)	30			30		
220–240 V	15			15		
Bärbar jordfelsbrytarens ström, A						
100–120 V (USA, JP)	6 mA			6 mA		
220–240 V	10 mA			10 mA		
Borr						
Max. borrhål i betong, mm/tum	350/14			450/18		
Min. borrhål i betong, mm/tum	55/2			100/4		
Vikt, kg/lb	13,5/29,8			14,2/31,3		
Vattenkyllning						
Vattenkoppling	Gardena			Gardena		
Maximalt vattentryck, bar	3			3		
Verktysanslutning						
Spindelgänga, JP/SE/RoW	A-stav/CRI 28/1 1/4" G			A-stav/CRI 28/1 1/4" G		
Damm och slam						
Borrhål för användning med slaming, mm/tum	50–350/ 2–13,8			50–350/ 2–13,8		
Driftsdata						
Växel	1	2	3	1	2	3
Spindelns varvtal, tomgång, full belastning, varv/min	230	460	720	150	300	470

Data	DM400			DM430		
Spindelns varvtal, tomgång, ingen belastning, varv/min	420	820	1 250	250	510	800
Borrdiameter i betong, mm/tum	165–350/6,5–14	80–160/3–6	55–105/2–4	250–450/8–18	125–250/5–10	100–160/4–6
Rekommenderad vattenvolym, l/min	1,7–2,4	1,1–1,6	0,9–1,3	2,0–2,5	1,5–2,0	1,2–1,6

Bulleremissionsdata

Data	DM400	DM430
Emission av buller		
Ljudtrycksnivå, dB(A)	92	92
Ljudeffektnivå, L_{WA} , dB(A) ⁸	112	112

Inbyggd anslutning

Notera: Den här delen gäller endast produkter med inbyggd anslutning.

Radiospektrum med BLE-teknik	DM400	DM430
Frekvensband för verktyget, GHz	2,402–2,480	2,402–2,480
Maximal utsänd radiofrekvenseffekt, dBm/mW	4/2,5	4/2,5

Indikatorlampor



OBSERVERA: Om du överbelastar produkten vid upprepade tillfällen kan den skadas.

⁸ Bulleremission i omgivningen uppmätt som ljudeffekt enligt EN 62841-3-6. Förväntad mätosäkerhet 3 dB(A).

Indikation på produkten	Orsak	Möjlig lösning
En grön lysdiod.	Verktyget är anslutet till nätspänning och kan användas.	Ej tillämpligt
	Uteffekten är mindre än 50 % av den tillgängliga uteffekten.	
TVå gröna lysdioder.	Uteffekten är mellan 50 och 65 % av den tillgängliga uteffekten.	
Tre gröna lysdioder.	Uteffekten är mellan 65 och 80 % av den tillgängliga uteffekten.	
Tre gröna och en gul lysdiod.	Maximal uteffekt. Uteffekten är över 80 % av den tillgängliga uteffekten.	
Tre gröna, en gul och en röd lysdiod.	Systemet är överbelastat.	Minska belastningen för att förhindra att Elgard™-motoröverlastskyddet aktiveras.
Alla lysdioder blinkar.	Elgard™-motoröverlastskyddet har aktiverats.	Minska belastningen så att produkten fungerar som den ska igen.
	Elgard™-motoröverlastskyddet har stannat motorn.	<i>Se Återställa motorns överlastskydd på sida 135.</i>
En grön lysdiod blinkar.	Smartstart™ startas.	<i>Se Använda Smartstart™ på sida 134.</i>

Tillbehör

Tillbehör

Tillbehör	DM400		DM430	
Borrstativet DS 500	Fästa med hjälp av vakuumpatta: OK	Fästa på annat sätt: OK	Fästa med hjälp av vakuumpatta: OK	Fästa på annat sätt: OK
Slamring*	OK		OK	
Tätningsskiva*	OK		OK	
Gummibricka, artikelnummer 598 72 14-01	OK		OK	
*Om du vill ha mer information kan du kontakta en lokal serviceverkstad.				

Service

Godkänt servicecenter

Du hittar ditt närmaste servicecenter som är godkänt för Husqvarna Construction Products via webbplatsen www.husqvarnacp.com.

EG-försäkran om överensstämmelse

EU-försäkran om överensstämmelse

Vi, **Husqvarna AB**, 561 82 Huskvarna, Sverige, tel:
+46-36-146500, försäkrar på eget ansvar att produkten:

Beskrivning	Transporterbar diamantkämborr
Varumärke	Husqvarna
Typ/Modell	DM400, DM430
Identifiering	Serienummer daterade 2019 och framåt

uppfyller alla krav i följande EU-direktiv och förordningar:

Direktiv/förordning	Beskrivning
2006/42/EC	"om maskiner"
2014/53/EU	"angående radioutrustning"

och att följande harmoniserade standarder och/eller tekniska specifikationer tillämpas:

EN ISO 12100:2010

EN 62841-1:2014

EN 62841-3-6:2014+A11:2017

EN 55014-1:2017

EN 55014-2:2015

EN 61000-3-2:2014

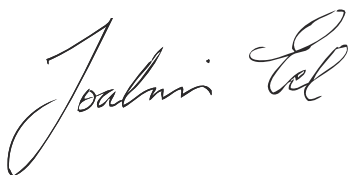
EN 61000-3-3:2013

ETSI EN 300 328 V2.1.1

ETSI EN 301 489-1 V2.2.0

ETSI EN 301 489-17 V3.2.0

Partille, 2019-12-08



Joakim Ed

Vice President, betongsågning och borring

Husqvarna AB, Construction Division

Ansvarig för teknisk dokumentation

Registrerade varumärken

Ordmärket och logotypen *Bluetooth®* är registrerade varumärken som ägs av *Bluetooth SIG, inc.* , och all användning av sådana märken av Husqvarna sker med licens.



www.husqvarnacp.com

Original instructions
Originale instruktioner
Originalanweisungen
Alkuperäiset ohjeet

Instructions d'origine
Originele instructies
Originale instruksjoner
Bruksanvisning i original

1141537-38



2020-10-13 rev4